

PROJECT INFORMATION			
JOB NAME		TYPE	
ORDERING CODE			

AIRbar Flush Mount 0.5

Description

The AIRbar Flush Mount 0.5 luminaire allows for ultimate flexibility for all lighting projects. The AIRbar is perfect for embedded, surface mounted, and under cabinet lighting applications. Its ultra slim profile at 5mm thick and light weight housing directly attaches to steel surfaces with integrated magnets. Mounting Accessories allow for simple magnetic attachment to most application. When a permanent installation is required, double sided VHB tape or suitable adhesives are recommended. Capable of 495 lumens/foot @ 121 lumens per watt efficacy, the AIRbar can be installed individually or linked continuously. A truly sustainable light source comprised of ceramic and aluminum, the AIRbar uses 50x fewer raw materials than conventional light sources (measured by weight of fixtures in a typical installation).

Housing

- 1/2" (nominal) wide housing delivers 495 lumens per foot
- 6/12/18/24" L x 0.6" W x 0.2" H
- 0.7oz per foot (65g/m)
- The ceramic light emitting surface acts as the heatsink and circuit board for the chip scale package LEDs
- The lightweight aluminum housing reflects the LED light back out through the ceramic

Mounting

- Embedded or surface mounted applications
- Magnetically attaches directly to U-Channel Accessories, Mounting Plate Kit, or other steel surfaces.
- Compatible with downlighting applications using the U-Channel Accessory
- May be permanently fastened using double sided tape (3M VHB) or other common Adhesives

Electrical

- 4.1W per foot, 24.15Vdc for 80CRI, 24.7Vdc for 90CRI, constant voltage input
- Remote Class 2 Power Supply required (refer to Power Supply section)
- Maximum 22 foot run with one 100W power supply
- Unlimited run lengths using multiple power supplies
- Dimmable to less than 1% (refer to Control Accessories section)
- Integrated thermal feedback protection prevents overheating under abnormal power conditions

Listings

- cULus Listed to UL2108
- Rated both Type IC & non-IC
- Suitable for dry and damp locations
- Operating environment: -10°F to 115°F / -23°C to 46°C
- Certified to be the first, and only, lighting product to obtain an **LBC Red List Free** Declare label with the International Living Future Institute's (ILFI) Living Building Challenge.

Wiring

- Integrated push-in wire connector allows for both input and output wiring (to aid in daisy chaining luminaires).
- 20 AWG stranded wire with 1/4" tinned ends recommended



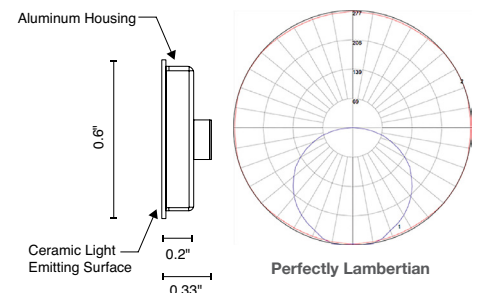
Ordering Codes

Follow the steps to specify your fixture, example: **120 - FM - 05 - 24 - 40K - 80**

Part Number	Mounting	Width	Length	CCT	CRI
120 AIRbar	FM Flush Mount	05 1/2" wide (nominal)	24 24" Long	30K 3000K	80 80CRI
			18 18" Long	40K 4000K	90 ¹ 90CRI
			12 12" Long		
			6 6" Long		

Notes

1. 90CRI is available only in 3000K.



PROJECT INFORMATION			
JOB NAME		TYPE	
ORDERING CODE			

Led Performance

LED	Samsung chip scale package (LM101A series)
SDCM	3 Step MacAdam Ellipse
CCT	3000K, 4000K
CRI Ra	82-84 typical (consult factory for 90CRI lead time)
Efficacy	121 lumens/Watt (4000K)
Light Emitting Surface	Reaches 45°C in a 25°C environment at 24.1Vdc input.
Life	L70 > 54,000hrs
Warranty	5 year limited fixture warranty

Delivered Lumens (80CRI)	
Per Foot	CCT
495	4000K
486	3000K

Power Supplies

(factory-set to 24.1Vdc output)

P70495-100-241	96W/24.1V adjustable Power Supply (Meanwell HLG-100H-24A) with ETL Listed Enclosure / Operates 0 to 22 Linear Feet
P70495-80-241	80W/24.1V adjustable Power Supply (Meanwell HLG-80H-24A) with ETL Listed Enclosure / Operates 0 to 18 Linear Feet
P70495-60-241	60W/24.1V adjustable Power Supply (Meanwell HLG-60H-24A) with ETL Listed Enclosure / Operates 0 to 13 Linear Feet
P70495-40-241	40W/24.1V adjustable Power Supply (Meanwell HLG-40H-24A) with ETL Listed Enclosure / Operates 0 to 9 Linear Feet

Control Accessories

ILLUMRA™ Constant Voltage LED Dimming Controllers deliver 65,000 PWM dimming steps to provide ultra smooth dimming performance through all light levels. Pair these controllers with either hardwired 0-10V dimming systems or Illumra's wireless Rocker Switches. These Controllers must be wired between the output of the Power Supply and the input of the LED Luminaire, so no auxiliary power source is required.

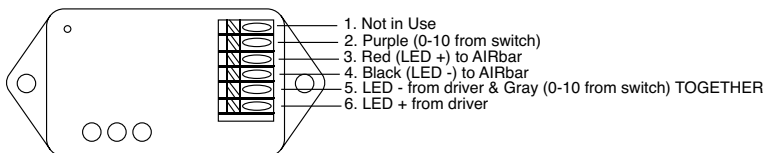
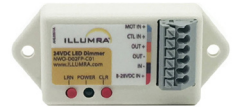
p/n: 70496-001 ILLUMRA™ (hardwired) 0-10V Controller NWO-D02FP-C01
Use this controller to support 0-10V dimming. Compatible with industry standard 0-10V dimmers (Leviton IP710-DLX or similar). Use one controller per Power Supply.

p/n: 70496-002 ILLUMRA™ Wireless Controller E9X-D02FL
Use this controller to support wireless dimming. Compatible with Illumra's Wireless Rocker Switches using EnOcean technology. Use one controller per Power Supply.

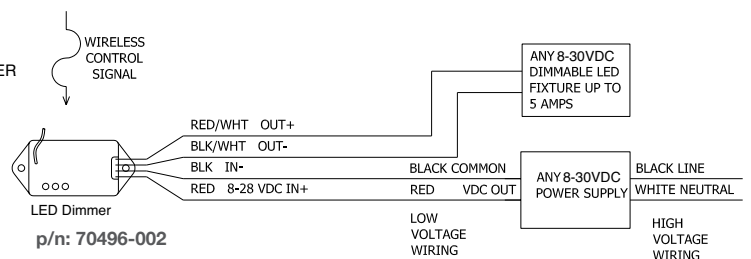
ILLUMRA™ self-powered Rocker Switches use no wires or batteries. Pressing the switch creates the energy to transmit a wireless signal that controls lights or other devices connected to EnOcean receivers. One Rocker Switch may be paired with one or more Controllers, or multiple Rocker Switches (up to 25) may be paired with one Controller. 50-150 foot range (typical) using 902MHz.

p/n: 70497-001WH ILLUMRA™ Wireless Single Rocker Switch (WHITE) E9T-S1AWH
Use this Rocker Switch for ON/OFF/Dimming (100% to <1%) control. Compatible with Illumra's Wireless Controllers.

p/n: 70497-002WH ILLUMRA™ Wireless Dual Rocker Switch (WHITE) E9T-S2AWH
Use this Rocker Switch for ON/OFF/Dimming (100% to <1%) control of two lights or two groups of lights. Compatible with Illumra's Wireless Controllers.



p/n: 70496-001



p/n: 70496-002

PROJECT INFORMATION			
JOB NAME		TYPE	
ORDERING CODE			

AIRBAR MOUNTING ACCESSORIES

AIRbar U-Channel 0.5

p/n: **81187wh-72** (AIRbar U-Channel 1/2" Wide, 6FT Long, White Finish, Field Cuttable)

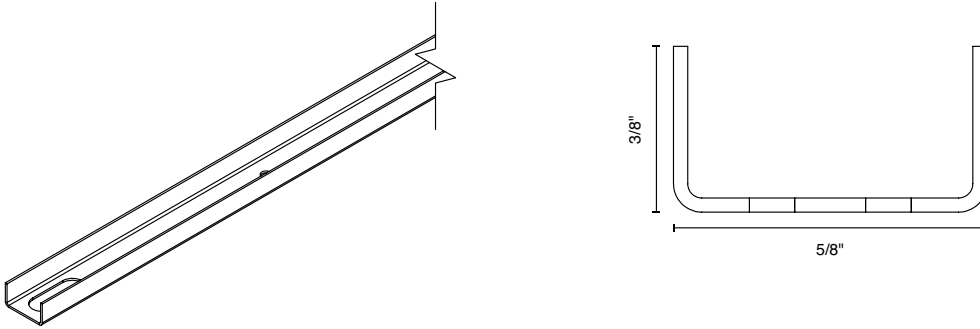
p/n: **81187wh-24** (AIRbar U-Channel 1/2" Wide, 2FT Long, White Finish, Field Cuttable)

The AIRbar U-Channel 0.5 provides an optimal solution for surface mounted lighting applications. While maintaining the AIRbar products slim profile look, the U-Channel serves as a housing and offers several finish options. The U-Channel is ideal for surface-mount and under cabinet lighting applications. Constructed with 24 gauge galvanized steel, the U-Channel is light weight and can be installed with #6 pan head screws or double sided VHB tape (hardware/tape provided by others).

Dimensions: 0.610" Wide x 0.325" High x 72" or 24" Long.

Mounting Holes: Clearance holes for #6 screws, on 6" centers

Material: 24 Gauge Galvanized Steel



AIRbar Mounting Plate 0.5

p/n: **120-MPK-05** (AIRbar Mounting Plate Kit, for 5/8" Wide Airbar)

The AIRbar Mounting Plate Kit provides a simple solution for embedded applications in wood or other materials. While maintaining the AIRbar products slim profile, the Mounting Plate serves as a magnetic surface to allow the AIRbar to magnetically attach. Constructed with 24 gauge galvanized steel, the Mounting Plates can be fastened using #6 pan head screws or double sided VHB tape (hardware/tape provided by others).

Kit Includes: (2) Mounting Plates

Plate Dimension: 0.5" x 1.5" Wide, 0.050" thick

Mounting Holes: Clearance holes for #6 screws, on 1.0" centers

Material: 24 Gauge Galvanized Steel

