

## ARIA

### Canopy, Track SW



982 blue



980 clear



981 amber



983 green

#### DESCRIPTION

- Bruck's European and American Artisan, mouth-blown glass is known throughout the world for its quality and beauty. Offered with cutting edge LED technology along with several mounting options, colors and finishes allow for a unique design. Most of Bruck's mini-pendant glass allows for easy screw-on/screw-off for a simple installation or design change. Pendant L<sub>70</sub> is 145,000 hours of operation.

#### HOUSING

- The hardware is offered in matte chrome or chrome finish and seconds as the pendant thermal heatsink.

#### MOUNTING

- The pendant can be mounted from Bruck's field adjustable canopy. The standard overall cable length of 59" can be field-cut or specified when ordering. Overall cable length is measured and begins from top of canopy. See the decorative Junction Box Cover for open ceiling applications.

- Optional track mounting: Global Trac Systems, GEO track, ECO track / HALO® Power track, and Zonyx track. Overall cable length begins at the shoulder of the ECO/GEO adapter and the track center of the Zonyx adapter. Cable length measurement ends at the top of glass or to the mounting arms.

- Kevlar coated cable for easy cleaning, short circuit protection, no discoloration and fraying over time.

#### LISTING

- Listed to UL1598 and UL1574 (Suitable for dry locations only)

- Listed to CSA C22.2 #250.0 and #9.0

#### PROJECT INFORMATION

|               |  |      |  |
|---------------|--|------|--|
| JOB NAME      |  | TYPE |  |
| ORDERING CODE |  |      |  |



#### ORDERING CODE

|                  |  |   |
|------------------|--|---|
| LIGHT SOURCE     | MLED <sup>1</sup>  | standard white LED, 450 lm  |
| CCT              | 30K<br>35K   | 3000K<br>3500K  |
| CRI              | 90   | 90 CRI  |
| SHADE COLOR      | 980<br>981<br>982<br>983   | clear<br>amber<br>blue<br>green   |
| FINISH           | CH<br>MC   | chrome with clear braided cable<br>matte chrome with clear braided cable  |
| MOUNTING OPTIONS | P <sup>2</sup><br>ECOBK<br>ECOWH<br>ECOMC<br>GEOBK<br>GEOWH<br>GEO MC<br>ZONMC | canopy pendant<br>ECO/HALO black<br>ECO/HALO white<br>ECO/HALO matte chrome<br>GEO black<br>GEO white<br>GEO matte chrome<br>Zonyx matte chrome |

#### ORDERING CODE

Follow the steps to specify your fixture, example:  
**MLED - 30K - 90 - 980 - MC - P**

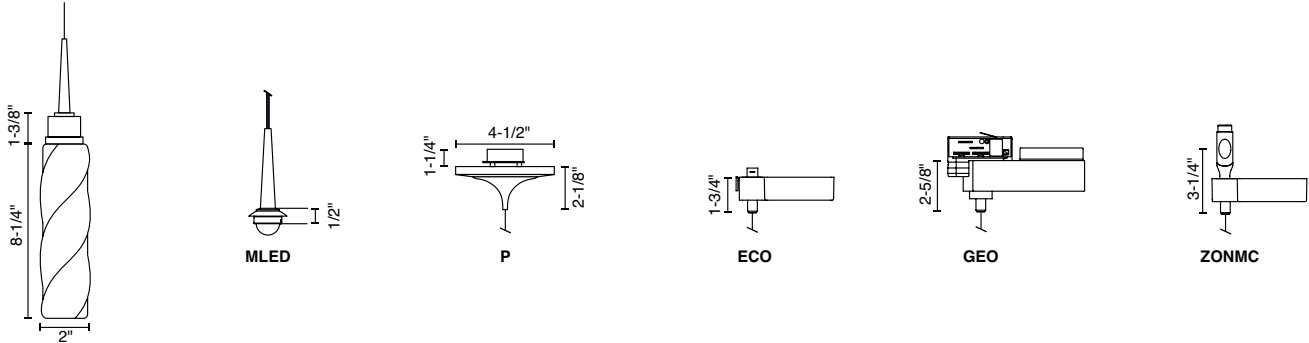
#### NOTES

1. For LED info see page 2.
2. Canopy matches the finish chosen.

\*Cable info: Clear Cable. 0.120" outer diameter. Rated to 300V & 105°C.

|               |  |      |  |
|---------------|--|------|--|
| JOB NAME      |  | TYPE |  |
| ORDERING CODE |  |      |  |

## MOUNTING OPTIONS



Dimensions may vary slightly.

## LIGHT SOURCE

|                        |  |
|------------------------|--|
| <b>Light Source</b>    | MLED - Static White LED  |
| <b>Performance</b>     |  |
| LED                    | Cree XHP50   |
| Lumens                 | 450lm  |
| CCT                    | 3000K or 3500K   |
| SDCM                   | 2-Step MacAdam Ellipse   |
| CRI                    | >90  |
| Lumen Maintenance      | $L_{70} > 145,000$ hours   |
| <b>Technical Specs</b> |  |
| Socket Listing         | <ul style="list-style-type: none"> <li>• Integrated LED module</li> <li>• ETLus Listed to UL1598, and UL1574 (Suitable for dry locations only)</li> <li>• cETL Listed to CSA C22.2 #250.0 and #9.0</li> </ul>  |
| <b>Mounting</b>        |  |
| Canopy                 | <ul style="list-style-type: none"> <li>• 120-277Vac, 50/60Hz input</li> <li>• 7.0W, 7.5VA</li> <li>• Tri-mode dimming (Triac, ELV and 0-10V)</li> <li>• Mount to 3-1/2" to 4" round J-Box</li> <li>• Short circuit protection</li> <li>• Thermal protection</li> </ul> |
| Line Voltage Track     | <ul style="list-style-type: none"> <li>• 120Vac, 50/60Hz input</li> <li>• 7.0W, 7.5VA</li> <li>• Triac and ELV phase dimming</li> <li>• Connects to line voltage adapter (ECO, GEO, Zonyx)</li> </ul>  |
| <b>Warranty</b>        |  |
|                        | <ul style="list-style-type: none"> <li>• 5 year limited fixture warranty</li> </ul>  |