

BINA Pendant Center Canopy Installation Instructions

*Installation Instructions are applicable for other versions.



WARNING - PLEASE READ ALL INSTRUCTIONS PRIOR TO INSTALLATION
READ AND FOLLOW ALL WARNINGS AND INSTRUCTIONS BEFORE INSTALLING OR MAINTAINING THIS PRODUCT.
TURN OFF POWER PRIOR TO ANY WORK ON THE SYSTEM OR PRODUCT.

DO NOT INSTALL DAMAGED PRODUCT.

AMBIENT TEMPERATURE AT LUMINAIRE LOCATION SHOULD NOT EXCEED 40°C DURING NORMAL OPERATION.

IMPORTANT: 4" OCTAGONAL JUNCTION BOX IS SUGGESTED AND MUST BE PROPERLY MOUNTED TO SUPPORT AT MINIMUM 30LBS. 2-3 PEOPLE ARE REQUIRED FOR INSTALLATION.

DO NOT TOUCH OR LIFT BINA FROM THE LENS. LIFT OR SUPPORT FROM FRAME ONLY.

Installing, wiring, and maintenance must be done by qualified persons or a certified electrician in accordance with all local and National Electrical Codes.

Warranty is voided in case of unauthorized modifications and/or improper use.

Save these instructions. Use as reference when service or maintenance is performed.

Refer to product label for voltage requirements and properly ground fixture in accordance with all local and national electrical codes.

If building and product supports optional dimming, connect dimming leads to dimming control system (provided by others). Refer to product label for dimming requirements. Isolate dimming wires individually if not in use.

⚠️ WARNING ⚠️

- To avoid possible electrical shock, before installing light fixtures, disconnect power by turning off the circuit breakers both to the outlet box and to its associated wall switch location. If you cannot lock the circuit breakers in the off position, securely fasten a prominent warning device, such as a tag, to the service panel.
- Verify that supply voltage is correct by comparing it with the luminaire label information.
- Make all electrical and ground connections in the accordance with the National Electrical Code (NEC) and any applicable local code requirements.
- Wait for fixture and driver to cool before servicing and performing maintenance.

⚠️ CAUTION ⚠️

- All wiring must comply with national and local electrical codes and ANSI/NFPA 70. If you are unfamiliar with wiring, consult a qualified electrician.
- PPE Personal Protective Equipment such as gloves and safety glasses should always be used when installing, maintaining or servicing.
- Risk of fire. Keep combustible material away from fixtures.

⚠️ ADVERTENCIA ⚠️

- Para evitar un choque eléctrico, antes de instalar luminarias, desconecte la alimentación apagando los interruptores de circuito en el panel de servicio y en las paredes. Si no es posible bloquear los interruptores en la posición de apagado, sujete una etiqueta de seguridad en el panel de servicio.
- Compruebe que la tensión de alimentación es correcta comparándola con la información en la etiqueta de la luminaria.
- Haga todas las conexiones eléctricas y puesta a tierra de acuerdo con el código eléctrico nacional (NEC) y los requisitos del código local aplicable.
- Espere hasta que la luminaria y el controlador se enfríen antes de empezar el servicio y mantenimiento.

⚠️ PRECAUCIÓN ⚠️

- Todo el cableado debe cumplir con los códigos eléctricos nacionales y locales y ANSI/NFPA 70. Si no está familiarizado con el cableado, consulte a un electricista.
- Al instalar, mantener o reparar, siempre se debe utilizar equipo de protección personal como guantes y lentes de seguridad
- Riesgo de incendio. Mantenga los materiales combustibles lejos de las luminarias.

⚠️ AVERTISSEMENT ⚠️

- Pour éviter les chocs, avant d'installer des appareils d'éclairage, coupez l'alimentation en désactivant les disjoncteurs et l'emplacement du commutateur mural. Si vous ne pouvez pas verrouiller les disjoncteurs en position d'arrêt, fixer un avertissement sur le panneau de service.
- Vérifiez que la tension d'alimentation est correcte en le comparant avec les informations d'étiquette de luminaire.
- Effectuer tous les raccordements électriques et mise à la terre dans la conformité avec le Code électrique National (NEC) et des exigences du code local applicable.
- Laisser suffisamment de temps pour l'appareil et pilote refroidir avant d'effectuer l'entretien et la maintenance.

⚠️ MIS EN GARDE ⚠️

- Tout le câblage doit être effectué conformément aux codes électriques locaux et nationaux et ANSI/NFPA 70. Si vous êtes peu familier avec câblage, vous devez utiliser un électricien qualifié.
- Équipement de protection personnelle comme des gants et des lunettes de sécurité doivent être utilisés en tout temps lors de l'installation, maintenance ou entretien.
- Risque d'incendie. Garder les matières combustibles loin de luminaires.

INSTRUCTIONS FOR USE

De-energize circuit before installation.

1. Locate the three hole pattern on the base and insert the provided 1/4" screws from the inside. (Figure 1.)
 2. Thread the gripper from the outside to the 1/4" screw until secured and gripper "arm" is facing toward the center. Repeat for all three (3) screws.
 3. Pass each of the provided aircraft cables through the three hole pattern on the mounting plate (figure 2.)
 4. Clamp strain relief to electrical cable ensuring enough electrical cable remains to connect to building wiring.
 5. Snap clamp to j-box cover and pass aircraft cables through the cover slots.
 6. Connect fixture l/n/g, dim+ /dim- if applicable, to building wiring.
 7. Fasten mounting plate to the j-box using at least two screws (by others). (Figure 2.)
 8. Secure canopy cover to mounting plate using the two provided screws.
 9. Locate and remove the knockout closest to internal wire terminal block on fixture base. (Figure 3.)
 10. Feed aircraft cable through cable grippers to suspend base to desired height.
 11. Cut electrical cable to the desired height length and attach cable clamp strain relief ensuring enough cable remains to connect to fixture tension free. (Figure 4.)
 12. Attach cable clamp to fixture base and connect all cable wires to fixture terminal block. Remove optional cable harness if desired. (Figure 5.)
- ATTENTION: DO NOT LIFT OR APPLY PRESSURE TO FIXTURE LENS, LIFT ONLY BY FRAME. Three (3) people are necessary for safe and proper installation. Two (2) to lift base and one (1) to connect and attach.**
13. Lift main body to the fixture base and connect the quick connect harness male and female ends, reattach main body to base.
 14. Energize circuit and test for proper operation.

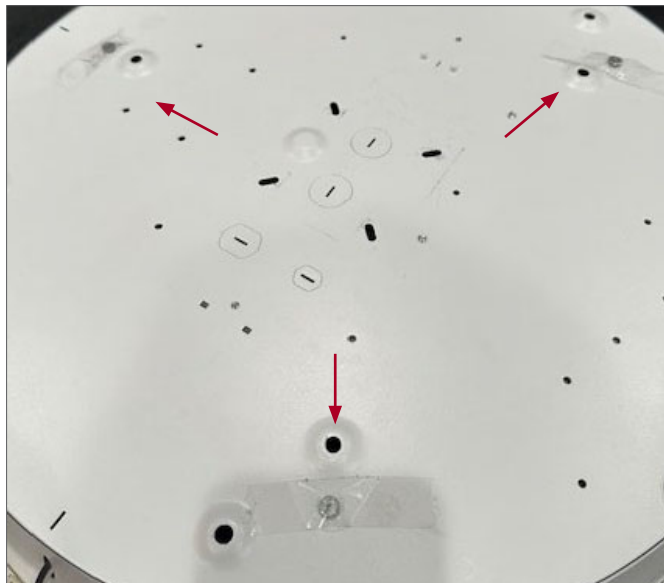


Figure 1.

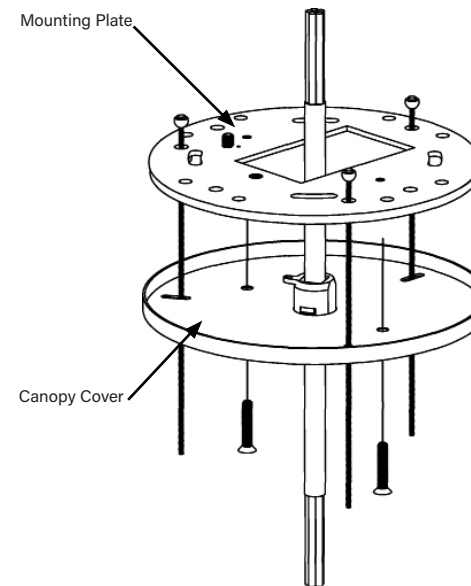


Figure 2.

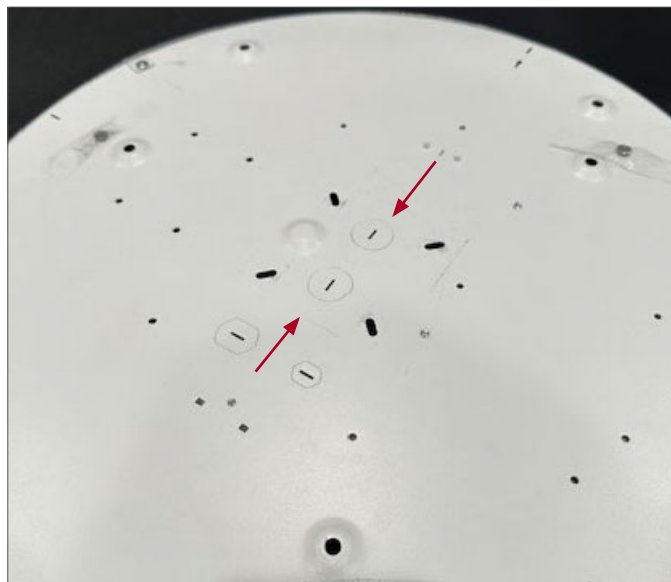


Figure 3.



Figure 4.

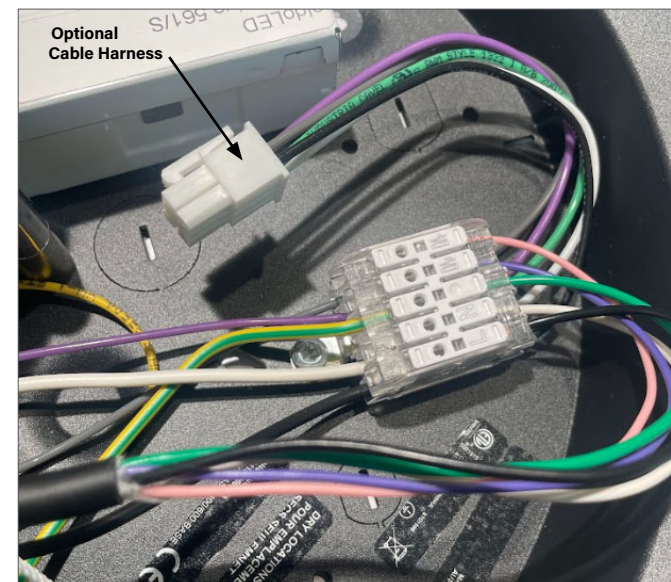


Figure 5.