



JOB NAME \_\_\_\_\_

CONTACT \_\_\_\_\_

ORDERING CODE \_\_\_\_\_

## BOBO 2 Canopy, Track SW G9



970 clear



971 aqua



972 amber

### DESCRIPTION

Bruck's European and American Artisan, mouth-blown glass is known throughout the world for its quality and beauty. Several light source options, mounting options, colors and finishes allow for a unique design. Most of Bruck's mini-pendant glass allows for easy screw-on/screw-off for a simple installation or design change. Pendant L70 is 145,000 hours of operation.

### HOUSING

The hardware is offered in matte chrome or chrome finish and seconds as the pendant thermal heatsink.

### MOUNTING

- The pendant can be mounted from Bruck's field adjustable canopy. The standard overall cable length of 59" can be field-cut or specified when ordering. Overall cable length is measured and begins from top of canopy. See the decorative Junction Box Cover for open ceiling applications.
- Optional track mounting: Global Trac Systems, GEO track, ECO track / Halo® Power track, and Zonyx track. Overall cable length begins at the shoulder of the ECO/GEO adapter and the track center of the Zonyx adapter. Cable length measurement ends at the top of glass or to the mounting arms.
- Kevlar coated cable for easy cleaning, short circuit protection, no discoloration and fraying over time.

### LISTINGS

- Listed to UL1598 and UL1574 (Suitable for dry locations only)
- Listed to CSA C22.2 #250.0 and #9.0

### ORDERING CODE

LIGHT SOURCE	MLED <sup>2</sup> MSG9	standard white LED, 450 lm G9 socket
CCT	30K <sup>1</sup> 35K <sup>1</sup>	3000K 3500K
CRI	90 <sup>1</sup>	90 CRI
SHADE COLOR	970 971 972	clear aqua amber
FINISH	BK <sup>4</sup> CH <sup>4</sup> MC <sup>4</sup>	black with clear braided cable chrome with clear braided cable matte chrome with clear braided cable
MOUNTING OPTIONS	P <sup>3</sup> ECOBK ECOWH ECOMC GEOBK GEOWH GEOHC ZONMC	canopy pendant ECO/HALO black ECO/HALO white ECO/HALO matte chrome GEO black GEO white GEO matte chrome Zonyx matte chrome

### ORDERING CODE

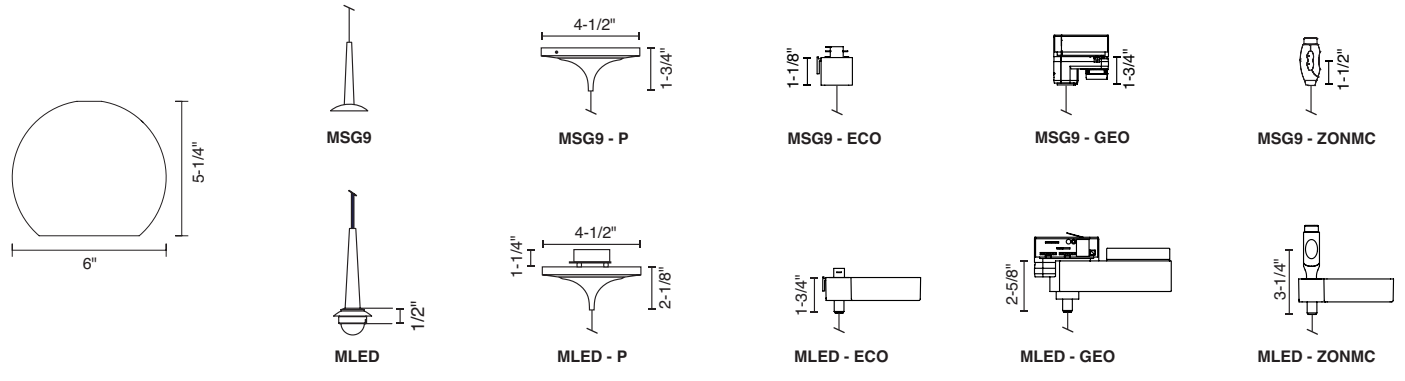
\_\_\_\_\_

Follow the steps to specify your fixture, example:  
**MLED - 30K - 90 - 970 - MC - P**

### NOTES

1. CCT and CRI options for MLED only.
2. For LED info see page 2.
3. Canopy matches the finish chosen.
4. Cable info: 22ga Type SVT Cable. 0.120" outer diameter. Rated to 300V & 105°C.

## MOUNTING OPTIONS



## LIGHT SOURCE

Light Source	MLED - Static White LED	MSG9 - G9 SOCKET
<b>Performance</b>		
LED	Cree XHP50	lamp dependent
Lumens	450lm	
CCT	3000K or 3500K	
SDCM	2-Step MacAdam Ellipse	
CRI	>90	
Lumen Maintenance	$L_{70} > 145,000$ hours	
<b>Technical Specs</b>		
Socket Listing	<ul style="list-style-type: none"> <li>Integrated LED module</li> <li>ETLus Listed to UL1598, and UL1574 (Suitable for dry locations only)</li> <li>cETL Listed to CSA C22.2 #250.0 and #9.0</li> </ul>	<ul style="list-style-type: none"> <li>G9 socket</li> <li>ETLus Listed to UL1598, and UL1574 (Suitable for dry locations only)</li> <li>cETL Listed to CSA C22.2 #250.0 and #9.0</li> </ul>
<b>Mounting</b>		
Canopy	<ul style="list-style-type: none"> <li>120-277Vac, 50/60Hz input</li> <li>7.0W, 7.5VA</li> <li>Tri-mode dimming (Triac, ELV and 0-10V)</li> <li>Mount to 3-1/2" to 4" round J-Box</li> <li>Short circuit protection</li> <li>Thermal protection</li> </ul>	<ul style="list-style-type: none"> <li>120-277Vac, 50/60Hz input</li> <li>40W, 40VA (max 40W lamp)</li> <li>Dimmable (Incandescent)</li> <li>Mount to 3-1/2" to 4" round J-Box</li> </ul>
Line Voltage Track	<ul style="list-style-type: none"> <li>120Vac, 50/60Hz input</li> <li>7.0W, 7.5VA</li> <li>Triac and ELV phase dimming</li> <li>Connects to line voltage adapter (ECO, GEO, Zonyx)</li> </ul>	<ul style="list-style-type: none"> <li>120Vac, 50/60Hz input</li> <li>40W, 40VA (max 40W lamp)</li> <li>Dimmable (Incandescent)</li> <li>Connects to line voltage adapter (ECO, GEO, Zonyx)</li> </ul>
<b>Warranty</b>		
	• 5 year limited fixture warranty	• 1 year limited fixture warranty