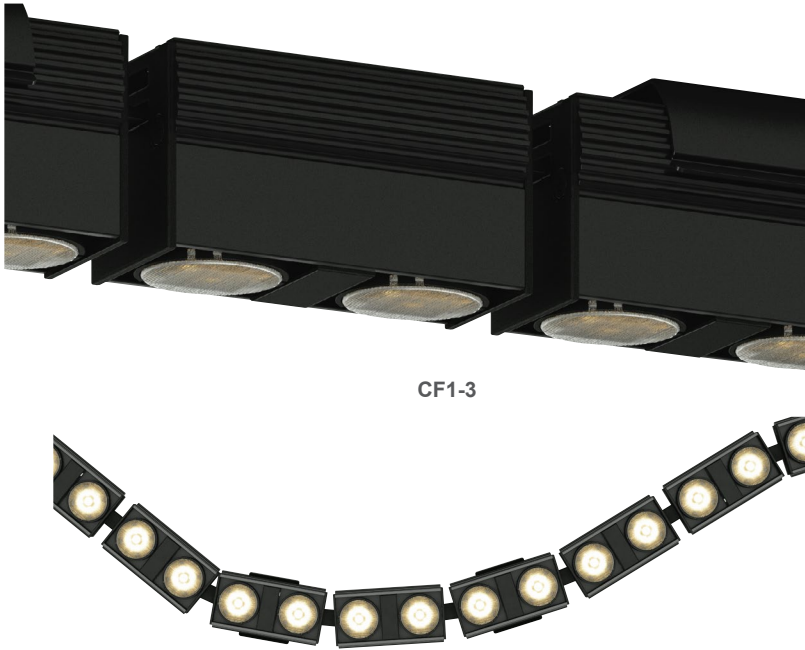


## COBRA FLEX

Flexible Cove Tunable White

formalighting  
COLLECTION



CF1-3

S Curve - 15 link

### DESCRIPTION

COBRA Linealuce is a surface mounted modular LED system in extruded aluminum with 25° vertical adjustability. Offered in 7 lengths, multiple beam spreads and optical accessories. Ideal as indirect cove light applications, to create a wash illumination for wall and other architectonic surface. Compliments and integrates as a continuous run with COBRA Flex where straight and curved surface runs are combined in design.

### HOUSING

- Anodized extruded aluminum
- Consult factory for custom finishes and lengths

### MOUNTING

- Surface mount with U-clips, included.

### ELECTRICAL/CONTROLS

- 3.3W per link at 500mA per channel
- 1800K: 90 lm / link
- 6000K: 135 lm / link
- Remote class 2 power supply required
- Maximum 14 Link run per driver
- Series shunt bypass ensures remaining operate if single link failure

### LISTING

- cULus Listed to UL2108

### LED INFO

- TX-3535 RGBW:
- 80 CRI, R9 > 70: SDCM = 3-step MacAdam Ellipse; Lumen Maintenance: L<sub>70</sub> > 56,000 hrs

PROJECT INFORMATION			
JOB NAME		TYPE	
ORDERING CODE			

### ORDERING CODE

SERIES	COBRA	cove light
TYPE	CF1 CF1-L <sup>1</sup>	cobra flex, standard cobra flex, louver
LED	TW	tunable white
SIZE	1 2 3 4 5 6 7 8 9 10 11 12 13 14	1 link, 2-1/8", 1800K: 90 lm, 6000K: 135 lm 2 link, 4-1/2", 1800K: 180 lm, 6000K: 270 lm 3 link, 6-7/8", 1800K: 270 lm, 6000K: 410 lm 4 link, 9-1/4", 1800K: 360 lm, 6000K: 550 lm 5 link, 11-1/2", 1800K: 450 lm, 6000K: 680 lm 6 link, 13-15/16", 1800K: 540 lm, 6000K: 820 lm 7 link, 16-5/16", 1800K: 630 lm, 6000K: 960 lm 8 link, 18"-5/8", 1800K: 720 lm, 6000K: 1095 lm 9 link, 21", 1800K: 810 lm, 6000K: 1230 lm 10 link, 23-3/8", 1800K: 900 lm, 6000K: 1360 lm 11 link, 25-3/4", 1800K: 990 lm, 6000K: 1500 lm 12 link, 28-1/8", 1800K: 1080 lm, 6000K: 1640 lm 13 link, 30-1/2", 1800K: 1170 lm, 6000K: 1780 lm 14 link, 32-7/8", 1800K: 1275 lm, 6000K: 1920 lm
CCT	1860	1800K to 6000K tunable white
	CCT	1800K   2000K   2400K   2700K   3000K   3500K   4000K   5000K   5300K
	CCT MULTIPLIER FOR LUMEN OUTPUT	0.78   0.82   0.91   0.95   1   1.05   1.1   1.12   1.12
CRI	80	80 CRI
LENS OPTION	30D	30 degrees
FINISH	BK WH GD BS	black white gold polished brass
MOUNTING OPTIONS	S	surface mount
ACCESSORIES	HCL BL RD GR AM	honeycomb louver color filter, blue color filter, red color filter, green color filter, amber
		See page 3 for details.
DIMMING	See last page for details.	

### ORDERING CODE

Follow the steps to specify your fixture, example:

COBRA - CF1 - TW - 14 - 1860 - 80 - 30D - BK - S

### NOTES

1. Louver not with color filter BL/RD/GR/AM accessory.

### TW (LED)

COBRA	DELIVERED LM		VOLTAGE	LED POWER	SYSTEM POWER
	1800K	6000K	Vdc (TOTAL)	W (80 CRI)	W (80 CRI)
1 LINK	90	135	4	4	6
2 LINK	180	275	7	7	9
3 LINK	270	410	11	10	12
4 LINK	360	545	14	14	16
5 LINK	450	680	18	17	19
6 LINK	540	815	21	20	22
7 LINK	630	950	24	24	26
8 LINK	720	1085	28	27	29
9 LINK	810	1220	32	30	32
10 LINK	900	1355	36	33	35
11 LINK	990	1490	38	37	39
12 LINK	1080	1625	43	40	42
13 LINK	1170	1760	46	43	45
14 LINK	1275	1920	50	47	50

Power Factor ≥ 0.9

### RELATED PRODUCTS



Cobra Linealuce - Rigid Cove

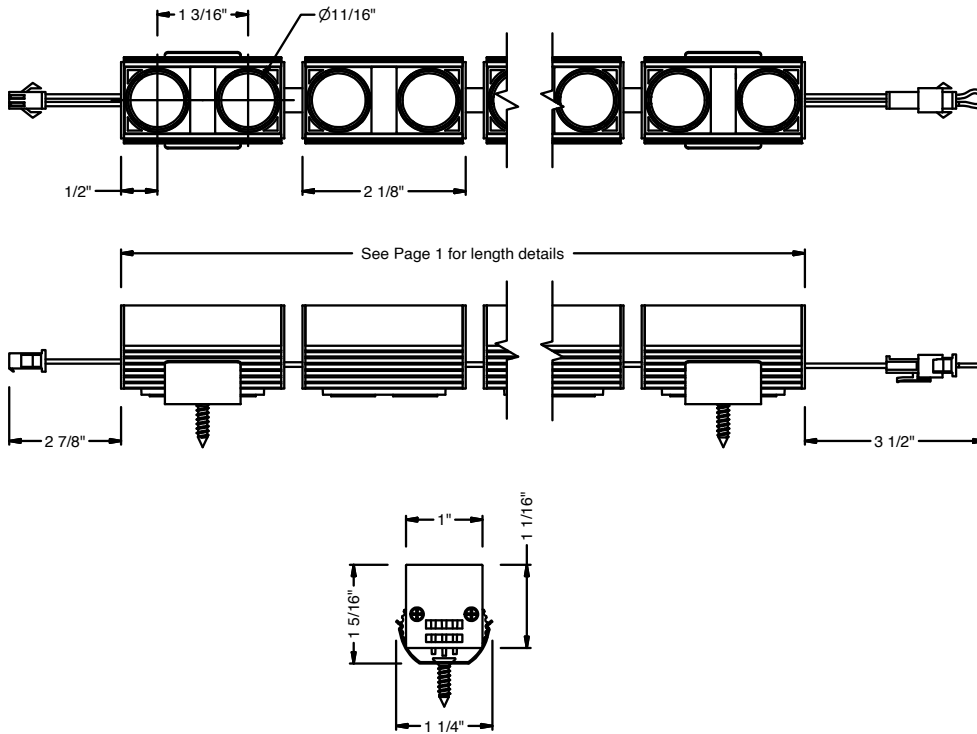
### Note:

Used as straight runs for Cobra Flex. See Cobra Linealuce spec sheet

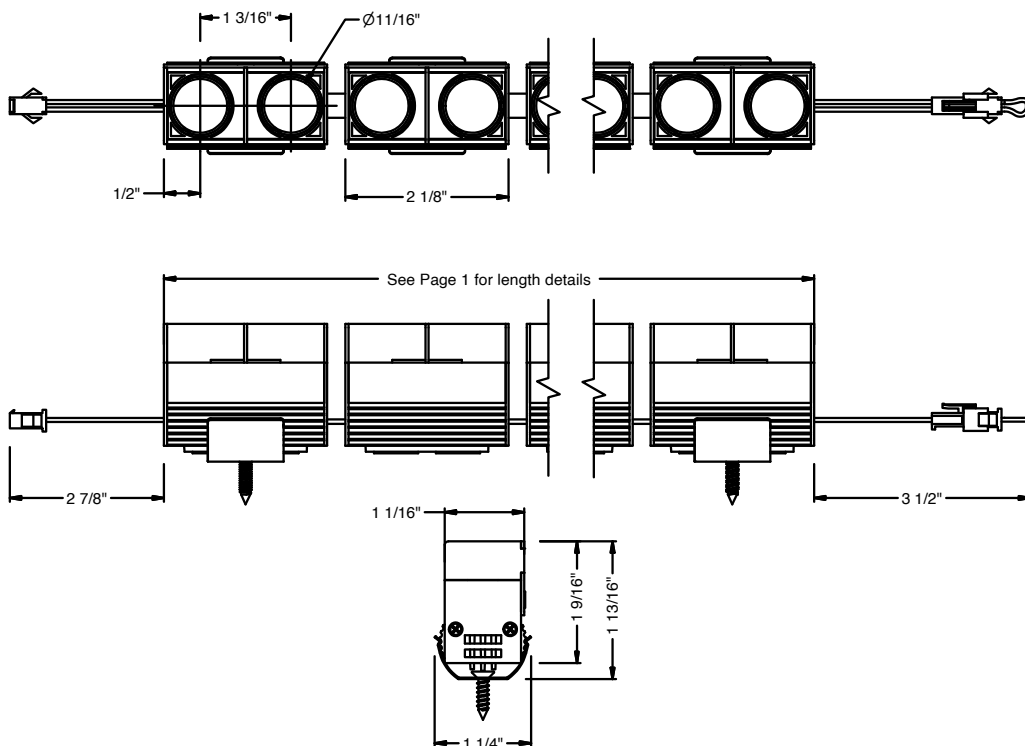
JOB NAME		TYPE	
ORDERING CODE			

PRODUCT DIMENSIONS

CF1 - STANDARD



CF1 - LOUVER

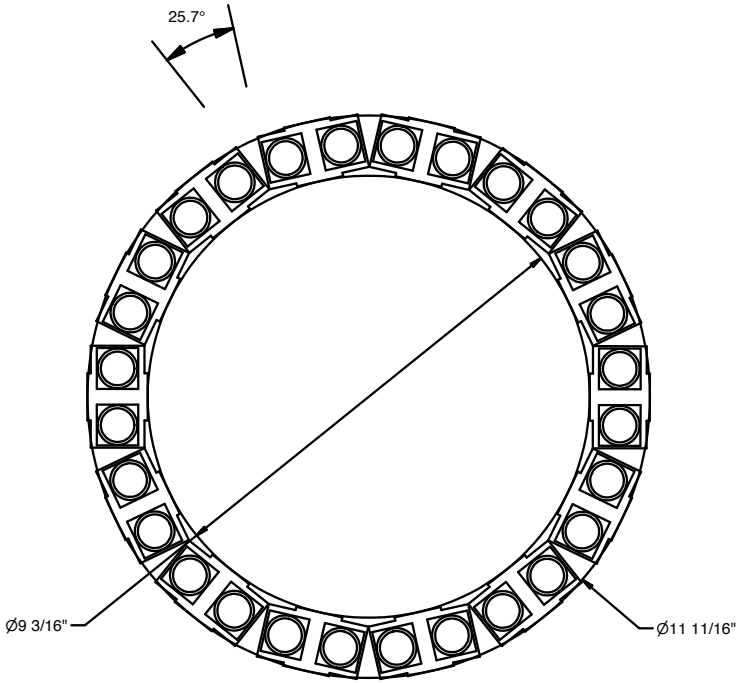


PROJECT INFORMATION

JOB NAME		TYPE	
ORDERING CODE			

PRODUCT DIMENSIONS (CONTINUED)

CURVED RADIUS FOR CF1 - 14

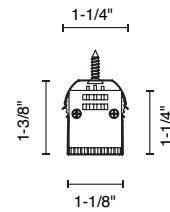


ACCESSORIES

- |                                    |  |
|------------------------------------|--|
| <b>COBRA-HCL<sup>1</sup></b>       | honeycomb louver                         |
| <b>COBRA-CF-BL<sup>2</sup></b>     | color filter, blue                       |
| <b>COBRA-CF-RD<sup>2</sup></b>     | color filter, red                        |
| <b>COBRA-CF-GR<sup>2</sup></b>     | color filter, green                      |
| <b>COBRA-CF-AM<sup>2</sup></b>     | color filter, amber                      |
| <b>COBRA-DRIVER-EXT-HARNESS-TW</b> | 39" extension harness, cobra to driver   |
| <b>COBRA-DRIVER-HARNESS-TW</b>     | 12" driver harness, included with driver |
| <b>COBRA-UCLIP<sup>3</sup></b>     | mounting U-clip (included)               |
| <b>COBRA-SCREW<sup>3</sup></b>     | screw for U-clip (included)              |

NOTES

1. Must order two per link.
  2. Must order one per link. Consult factory for additional color filters. Not compatible with louver.
  3. Mounting accessories are only for additional or spare circumstances.
- All Cobras include adequate quantity of mounting components.



Honeycomb

PROJECT INFORMATION			
JOB NAME		TYPE	
ORDERING CODE			

## REMOTE DRIVER - 0-10V ORDERING CODE

PART NUMBER	P70516-COBRA	LED driver with box and harness
DIMMING	DIM10Z	eldoLED flicker free 0-10V dimming to 0%
ELECTRICAL OPTIONS	500	500mA

ORDERING CODE \_\_\_\_\_

Follow the steps to specify your fixture, example:  
P70516 - COBRA - DIM10Z - 500

MAXIMUM WIRING DISTANCE FROM DRIVER TO FIRST COBRA AT FULL LOAD	
AWG VALUE	DISTANCE (FT)
20	46
18	72
17	92
16	118

## DESCRIPTION

- 0-10V dimmable protocol LED drive with smooth flicker free dimming
- Tunable White: color temperature and intensity control
- Remote mounting distance up to 46' (20AWG), 72' (18AWG) to LED load
- Pre-programmed to 500mA for optimum light output
- For custom drive currents consult factory

## ELECTRICAL/CONTROLS

- 120-277Vac, 50/60Hz input
- 50W max output
- 2-55Vdc output per channel
- Dual Drive, Dim to Dark, tunable white output
- 0-10V compatible
- Linear dimming curve
- Operating temperature: -4°F to 122°F
- Class II rated
- Suitable for use in damp and dry locations
- Short circuit protection
- Overload protection
- Over-voltage protection
- Thermal protection
- Box: Length = 9", Width = 4", Height = 1-3/8"
- Driver: Length = 5-1/8", Width = 3", Height = 1-1/8"

## REMOTE DRIVER - DALI ORDERING CODE

PART NUMBER	P70532-COBRA	LED driver with box and harness
DIMMING	DALIZ	eldoLED flicker free DALI dimming to 0%
ELECTRICAL OPTIONS	500	500mA

ORDERING CODE \_\_\_\_\_

Follow the steps to specify your fixture, example:  
P70532 - COBRA - DALIZ - 500

MAXIMUM WIRING DISTANCE FROM DRIVER TO FIRST COBRA AT FULL LOAD	
AWG VALUE	DISTANCE (FT)
20	46
18	72
17	92
16	118

## DESCRIPTION

- DALI DT8 dimmable protocol LED drive with smooth flicker free dimming
- Tunable White: color temperature and intensity control
- Remote mounting distance up to 46' (20AWG), 72' (18AWG) to LED load
- Pre-programmed to 500mA for optimum light output
- For custom drive currents consult factory

## ELECTRICAL/CONTROLS

- 120-277Vac, 50/60Hz input
- 50W max output
- 2-55Vdc output per channel
- Dual Drive, Dim to Dark, tunable white output
- DALI DT8 compatible
- Linear dimming curve
- Operating temperature: -4°F to 122°F
- Class II rated
- Suitable for use in damp and dry locations
- Short circuit protection
- Overload protection
- Over-voltage protection
- Thermal protection
- Box: Length = 9", Width = 4", Height = 1-3/8"
- Driver: Length = 5-1/8", Width = 3", Height = 1-1/8"

## REMOTE DRIVER - DMX ORDERING CODE

PART NUMBER	P70772-COBRA-TW	LED driver with box and harness, tunable white
DIMMING	DMXZ	DMX control dimming to 0.1%
ELECTRICAL OPTIONS	500	500mA

ORDERING CODE \_\_\_\_\_

Follow the steps to specify your fixture, example:  
P70772 - COBRA - TW - DMXZ - 500

MAXIMUM WIRING DISTANCE FROM DRIVER TO FIRST COBRA AT FULL LOAD	
AWG VALUE	DISTANCE (FT)
20	46
18	72
17	92
16	118

## DESCRIPTION

- DMX dimmable protocol LED drive with smooth flicker free dimming
- Tunable White: color temperature and intensity control
- Remote mounting distance up to 46' (20AWG), 72' (18AWG) to LED load
- Pre-programmed to 500mA for optimum light output
- For custom drive currents consult factory

## ELECTRICAL/CONTROLS

- 120-277Vac, 50/60Hz input
- 50W max output
- 8-55Vdc output per channel
- Isolated dimming circuit
- DMX compatible
- Operating temperature: -13°F to 122°F
- Class II rated
- Suitable for use in damp and dry locations
- Short circuit protection
- Overload protection
- Over-voltage protection
- Thermal protection
- Box: Length = 9", Width = 4", Height = 1-3/8"
- Driver: Length = 5-1/8", Width = 3", Height = 1-1/8"

PROJECT INFORMATION			
JOB NAME		TYPE	
ORDERING CODE			

## REMOTE DRIVER - CASAMBI ORDERING CODE

PART NUMBER	P70516-COBRA	LED driver with box and harness
DIMMING	CASZ	Casambi Bluetooth dim to zero
ELECTRICAL OPTIONS	500	500mA

ORDERING CODE

Follow the steps to specify your fixture, example:  
P70516 - COBRA - CASZ - 500

MAXIMUM WIRING DISTANCE FROM DRIVER TO FIRST COBRA AT FULL LOAD	
AWG VALUE	DISTANCE (FT)
20	46
18	72
17	92
16	118

## DESCRIPTION

- Casambi dimmable protocol LED drive with smooth flicker free dimming
- Tunable White: color temperature and intensity control
- Remote mounting distance up to 46' (20AWG), 72' (18AWG) to LED load
- Pre-programmed to 500mA for optimum light output
- For custom drive currents consult factory

## ELECTRICAL/CONTROLS

- 120-277Vac, 50/60Hz input
- 50W max output
- 2-55Vdc output per channel
- Dual Drive, Dim to Dark, tunable white output
- Operating temperature: -4°F to 122°F
- Class II rated
- Suitable for use in damp and dry locations
- Short circuit protection
- Overload protection
- Over-voltage protection
- Thermal protection
- Box: Length = 9", Width = 4", Height = 1-3/8"
- Driver: Length = 5-1/8", Width = 3", Height = 1-1/8"

## REMOTE DRIVER - NLIGHT ORDERING CODE

PART NUMBER	P70516-COBRA	LED driver with box and harness
DIMMING	NLT	nLight control interface: standard Cat-5/RJ45 connection (female), dimming to 0%
ELECTRICAL OPTIONS	500	500mA

ORDERING CODE

Follow the steps to specify your fixture, example:  
P70516 - COBRA - NLT - 500

MAXIMUM WIRING DISTANCE FROM DRIVER TO FIRST COBRA AT FULL LOAD	
AWG VALUE	DISTANCE (FT)
20	46
18	72
17	92
16	118

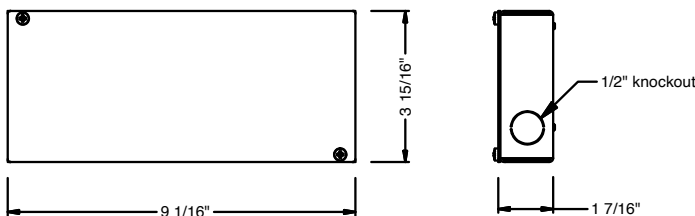
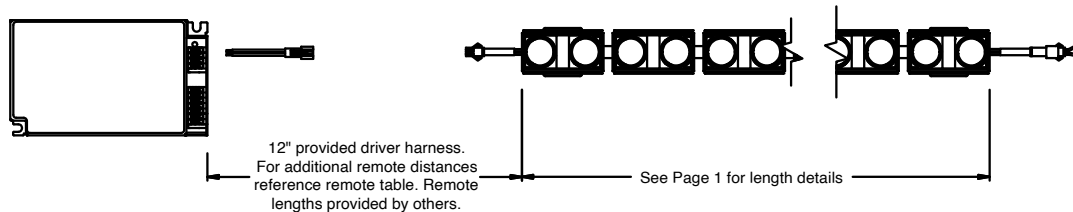
## DESCRIPTION

- nLight dimmable protocol LED drive with smooth flicker free dimming
- Tunable White: color temperature and intensity control
- Remote mounting distance up to 46' (20AWG), 72' (18AWG) to LED load
- Pre-programmed to 500mA for optimum light output
- For custom drive currents consult factory

## ELECTRICAL/CONTROLS

- 120-277Vac, 50/60Hz input
- 50W max output
- 2-55Vdc output per channel
- Dual Drive, Dim to Dark, tunable white output
- Operating temperature: -4°F to 122°F
- Class II rated
- Suitable for use in damp and dry locations
- Short circuit protection
- Overload protection
- Over-voltage protection
- Thermal protection
- Box: Length = 9", Width = 4", Height = 1-3/8"
- Driver: Length = 5-1/8", Width = 3", Height = 1-1/8"

## REMOTE DRIVER



BOX