

COBRA MINI FLEX

FLEXIBLE COVE STANDARD WHITE

formalighting
COLLECTION



CF2-3



S Curve - 15 link

DESCRIPTION

- COBRA Mini Linear is a surface mounted modular system in extruded aluminum. It is segmented with two 177 lm LED segments for flexible radius of 24° max. COBRA is offered in 15 different lengths of 1 segments to 15 segments. They are hard connected for durability and consistency to maintain a 1.18" pitch between the LEDs. Offered in several CCTs at 97CRI. Ideal for indirect cove illumination, to create a wall grazing effect for columns and curved architectural surfaces. Mounting accessories included. Optional glare shields, honeycomb louver and color filters are offered. COBRA carries the first 5 Year FIXTURE WARRANTY.

HOUSING

- Anodized extruded aluminum
- Consult factory for custom finishes and lengths

MOUNTING

- Surface mount with U-clips, magnets or L brackets, included.

ELECTRICAL/CONTROLS

- 1 Link to 15 Link at max. 700mA
- Remote class 2 power supply required
- Maximum 15 Link run per 50W driver
- Series shunt bypass ensures remaining operate if single link failure

LISTING

- cULus Listed to UL2108

LED INFO

- Oscon GW-CSSRM1 SMD LED: 97 CRI: SDCM = 3-step MacAdam Ellipse, Lumen Maintenance: L₇₀ > 50,000 hrs

PROJECT INFORMATION

JOB NAME		TYPE	
ORDERING CODE			

ORDERING CODE

SERIES	COBRA	cove light
TYPE	CF2 CF2-L ¹	cobra flex mini, standard cobra flex mini, louver
LED	SW	standard white
SIZE	1 2 3 4 5 6 7 8 9 10 11 12 13 14 15	1 link, 2-1/8", 170 lm delivered 2 link, 4-1/2", 340 lm delivered 3 link, 6-15/16", 510 lm delivered 4 link, 9-1/4", 680 lm delivered 5 link, 11-5/8", 850 lm delivered 6 link, 14", 1020 lm delivered 7 link, 16-3/8", 1190 lm delivered 8 link, 18-3/4", 1360 lm delivered 9 link, 21-1/8", 1530 lm delivered 10 link, 23-1/2", 1700 lm delivered 11 link, 25-5/8", 1870 lm delivered 12 link, 28-3/16", 2040 lm delivered 13 link, 30-1/2", 2210 lm delivered 14 link, 32-7/8", 2380 lm delivered 15 link, 35-1/4", 2550 lm delivered <small>For additional lumen packages, see last page.</small>
CCT	27K 30K 35K 40K 50K	2700K (0.96) 3000K (1.00) 3500K (1.03) 4000K (1.08) 5000K (1.14)
CRI	97	97 CRI
LENS OPTION	21D 29D 22X47E	21° lens, CBCP 850 per link (2X LED) 29° lens, CBCP 520 per link (2X LED) 22° x 47° elliptical lens, CBCP 370 per link (2X LED)
FINISH	BK WH GD BS	black white gold polished brass
MOUNTING OPTIONS	S	surface mount
ACCESSORIES	HCL BL RD GR AM	honeycomb louver color filter, blue color filter, red color filter, green color filter, amber <small>See page 3 for details.</small>
DIMMING	See last page for details.	

ORDERING CODE

Follow the steps to specify your fixture, example:

COBRA - CF2 - SW - 3 - 27K - 97 - 29D - BK - S

NOTES

1. Louver not available with Honeycomb or color filters BL/RD/GR/AM accessories.

RELATED PRODUCTS



Cobra Mini Linealuce - Rigid Cove

Note:

Used as straight runs for Cobra Flex Mini. See Cobra Linealuce Mini spec sheet

PROJECT INFORMATION			
JOB NAME		TYPE	
ORDERING CODE			

POWER TABLE

SW (LED)

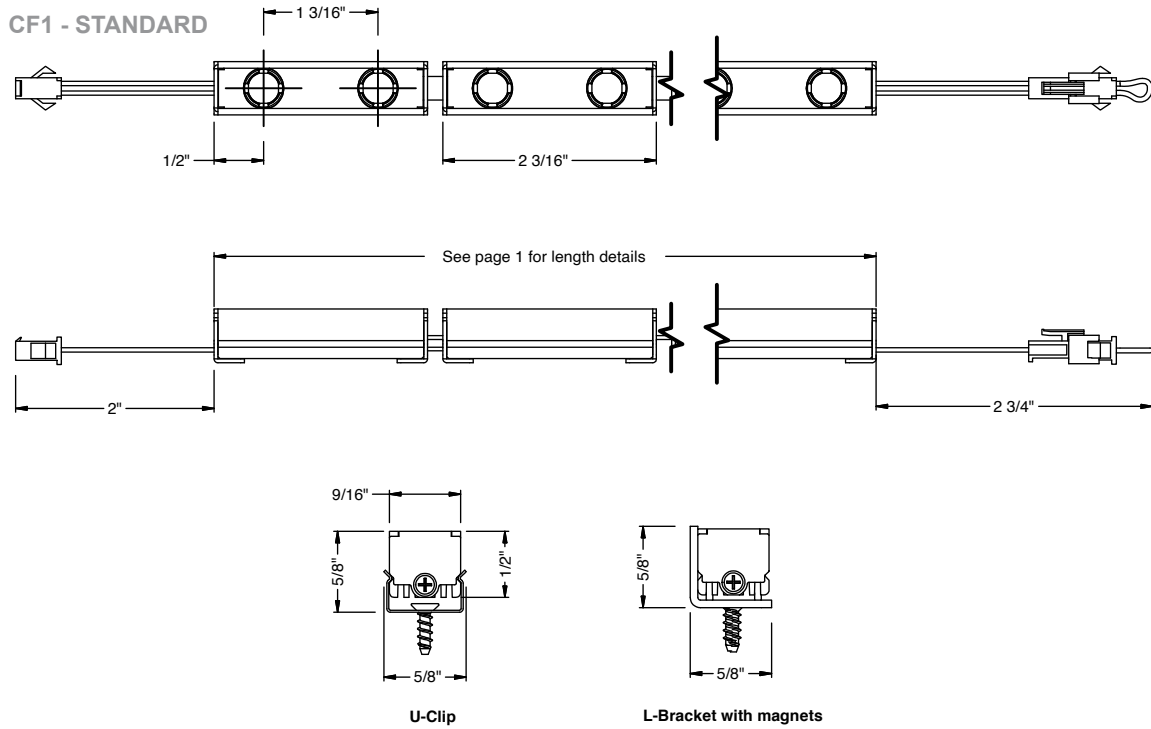
COBRA NO. LINKS	DELIVERED LUMENS		VOLTAGE Vdc	LED POWER W (90 CRI)	SYSTEM POWER W (90 CRI)
	CURRENT mA	LUMENS (3000K)			
1 LINK	700	170	3	3	5
	500	130	3	2	4
	350	100	3	1	3
2 LINK	700	340	7	5	7
	500	260	7	4	6
	350	200	7	3	5
3 LINK	700	510	9	7	9
	500	390	9	5	7
	350	300	9	3	5
4 LINK	700	680	13	10	12
	500	520	13	7	9
	350	400	13	5	7
5 LINK	700	850	16	12	14
	500	650	16	8	10
	350	500	16	6	8
6 LINK	700	1020	19	14	16
	500	780	19	10	12
	350	600	19	7	9
7 LINK	700	1190	22	16	18
	500	910	22	11	13
	350	700	22	8	10
8 LINK	700	1360	27	19	21
	500	1040	27	14	16
	350	800	27	10	12
9 LINK	700	1530	29	21	23
	500	1170	29	15	17
	350	900	29	11	13
10 LINK	700	1700	32	23	25
	500	1300	32	16	18
	350	1000	32	12	14
11 LINK	700	1870	36	26	28
	500	1430	36	18	20
	350	1100	36	13	15
12 LINK	700	2040	39	28	30
	500	1560	39	20	22
	350	1200	39	14	16
13 LINK	700	2210	42	30	32
	500	1690	42	21	23
	350	1300	42	15	17
14 LINK	700	2380	45	32	34
	500	1820	45	23	25
	350	1400	45	16	18
15 LINK	700	2550	48	34	36
	500	1950	48	24	26
	350	1500	48	17	19

Power Factor ≥ 0.9

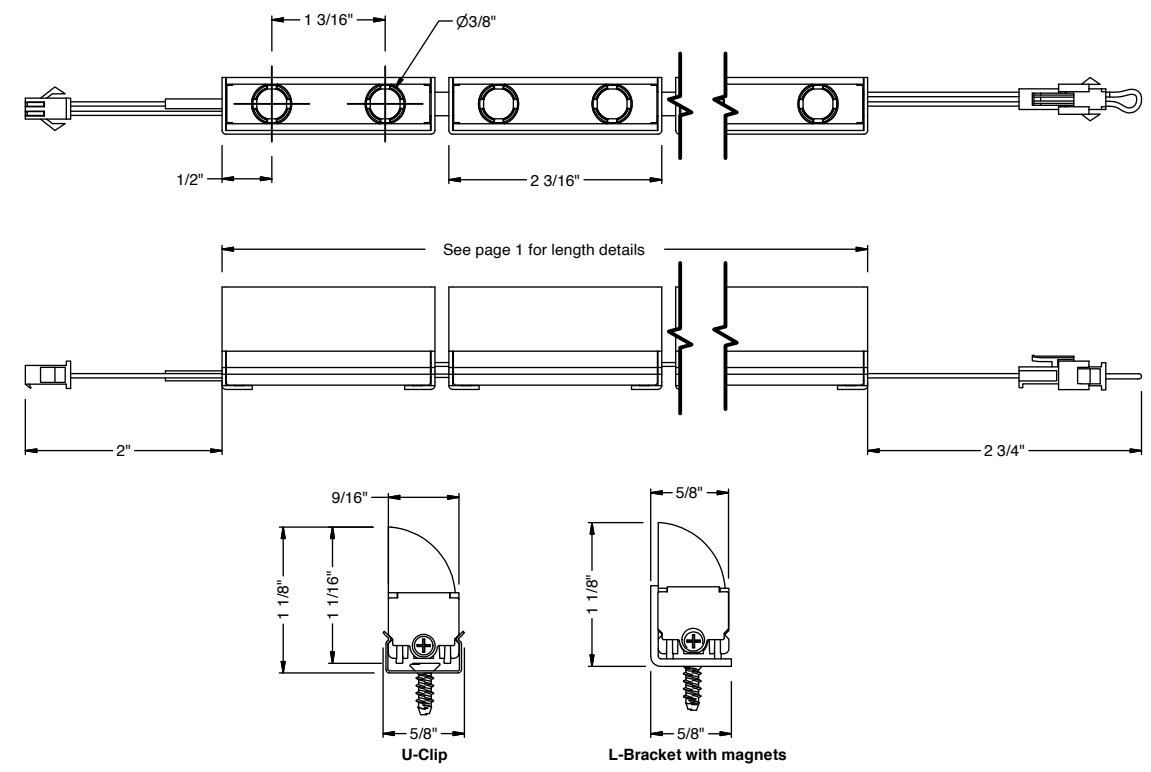
JOB NAME		TYPE	
ORDERING CODE			

PRODUCT DIMENSIONS

CF1 - STANDARD



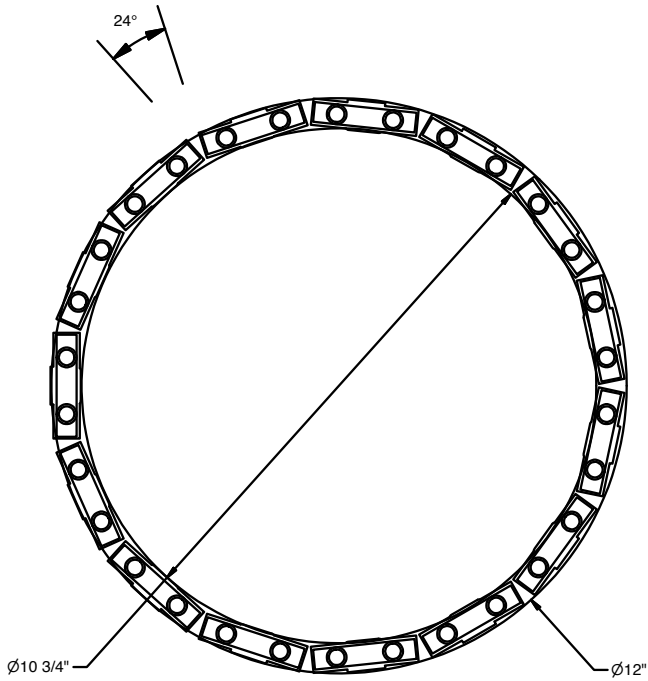
CR1-LOUVER



JOB NAME		TYPE	
ORDERING CODE			

PRODUCT DIMENSIONS (CONTINUED)

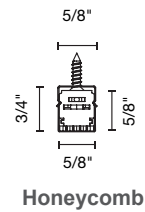
CURVED RADIUS FOR CF1-15



ACCESSORIES

- COBRA-MINI-HCL³ honeycomb louver
- COBRA-MINI-CF-BL^{1,3} color filter, blue
- COBRA-MINI-CF-RD^{1,3} color filter, red
- COBRA-MINI-CF-GR^{1,3} color filter, green
- COBRA-MINI-CF-AM^{1,3} color filter, amber
- COBRA-EXT-HARNESS 39" extension harness, cobra to driver
- COBRA-EXT-HARNESS-78 78" extension harness, cobra to driver
- COBRA-EXT-HARNESS-157 157" extension harness, cobra to driver
- COBRA-DRIVER-HARNESS 12" driver harness, included with driver
- COBRA-MINI-UCLIP² mounting U-clip (included)
- COBRA-MINI-LBRKT² mounting L-bracket (included)
- COBRA-MINI-SCREW² screw for U-clip and L-bracket (included)

NOTES
 1. Consult factory for additional color filters.
 2. Mounting accessories are only for additional or spare circumstances.
 All Cobras include adequate quantity of mounting components.
 3. Must order one per link. Not compatible with Louver



PROJECT INFORMATION			
JOB NAME		TYPE	
ORDERING CODE			

REMOTE DRIVER - 0-10V ORDERING CODE

PART NUMBER	P70414-COBRA	LED driver with box and harness
DIMMING	ECO SOLO ¹	1% 0.1%
ELECTRICAL OPTIONS	350 500 700	350mA, 515 lm / ft 500mA, 670 lm / ft 700mA, 875 lm / ft

ORDERING CODE

Follow the steps to specify your fixture, example:
P70414 - COBRA - ECO - 700

NOTES

- For 2-channel output, cobras must be under 50W/25W each. Order additional driver harness.

MAXIMUM WIRING DISTANCE FROM DRIVER TO FIRST COBRA AT FULL LOAD

AWG VALUE	DISTANCE (FT)
20	46
18	72
17	92
16	118

DESCRIPTION

- 0-10V dimmable protocol LED drive with smooth flicker free dimming
- Remote mounting distance up to 46' (20AWG), 72' (18AWG) to LED load
- Three programmable currents for various lumen offerings
- For custom drive currents consult factory

ELECTRICAL/CONTROLS

- 120-277Vac, 50/60Hz input
- 50W max output
- 2-55Vdc output per channel
- ECO 1% dimming - 1 channel output
- Solo 0.1% dimming - 2 channel output
- 0-10V compatible
- Linear dimming curve
- Operating temperature: -4°F to 122°F
- Class II rated
- Suitable for use in damp and dry locations
- Short circuit protection
- Overload protection
- Over-voltage protection
- Thermal protection
- Box: Length = 9", Width = 4", Height = 1-3/8"
- Driver: Length = 5-1/8", Width = 3", Height = 1-1/8"

REMOTE DRIVER - DALI ORDERING CODE

PART NUMBER	P70469-COBRA	LED driver with box and harness
DIMMING	DALIZ	eldoLED flicker free DALI dimming to 0% <small>Driver uses logarithmic dimming curve as standard. For linear dimming curve, add "LIN" after dimming</small>
ELECTRICAL OPTIONS	350 500 700	350mA, 515 lm / ft 500mA, 670 lm / ft 700mA, 875 lm / ft

ORDERING CODE

Follow the steps to specify your fixture, example:
P70469 - COBRA - DALIZ - 700

MAXIMUM WIRING DISTANCE FROM DRIVER TO FIRST COBRA AT FULL LOAD

AWG VALUE	DISTANCE (FT)
20	46
18	72
17	92
16	118

DESCRIPTION

- DALI - DT6 dimmable protocol LED drive with smooth flicker free dimming
- Remote mounting distance up to 46' (20AWG), 72' (18AWG) to LED load
- Three programmable currents for various lumen offerings
- For custom drive currents consult factory

ELECTRICAL/CONTROLS

- 120-277Vac, 50/60Hz input
- 50W max output
- 2-55Vdc output per channel
- DALI compatible
- Linear dimming curve
- Operating temperature: -4°F to 122°F
- Class II rated
- Suitable for use in damp and dry locations
- Short circuit protection
- Overload protection
- Over-voltage protection
- Thermal protection
- Box: Length = 9", Width = 4", Height = 1-3/8"
- Driver: Length = 5-1/8", Width = 3", Height = 1-1/8"

REMOTE DRIVER - DMX ORDERING CODE

PART NUMBER	P70772-COBRA	LED driver with box and harness
DIMMING	DMXZ	DMX dim to zero
ELECTRICAL OPTIONS	350 500 700	350mA, 515 lm / ft 500mA, 670 lm / ft 700mA, 875 lm / ft

ORDERING CODE

Follow the steps to specify your fixture, example:
P70772 - COBRA - DMXZ - 700

MAXIMUM WIRING DISTANCE FROM DRIVER TO FIRST COBRA AT FULL LOAD

AWG VALUE	DISTANCE (FT)
20	46
18	72
17	92
16	118

DESCRIPTION

- DMX dimmable protocol LED drive with smooth flicker free dimming
- Remote mounting distance up to 46' (20AWG), 72' (18AWG) to LED load
- Three programmable currents for various lumen offerings
- For custom drive currents consult factory

ELECTRICAL/CONTROLS

- 120-277Vac, 50/60Hz input
- 50W max output
- 8-55Vdc output per channel
- Isolated dimming circuit
- DMX compatible
- Operating temperature: -13°F to 122°F
- Class II rated
- Suitable for use in damp and dry locations
- Short circuit protection
- Overload protection
- Over-voltage protection
- Thermal protection
- Box: Length = 9", Width = 4", Height = 1-3/8"
- Driver: Length = 5-1/8", Width = 3", Height = 1-1/8"

PROJECT INFORMATION			
JOB NAME		TYPE	
ORDERING CODE			

REMOTE DRIVER - CASAMBI ORDERING CODE

PART NUMBER	P70414-COBRA	LED driver with box and harness
DIMMING	CASZ	Casambi Bluetooth control with flicker free - dim to off
ELECTRICAL OPTIONS	350 500 700	350mA, 100 lm / ft 500mA, 130 lm / ft 700mA, 170 lm / ft

ORDERING CODE _____

Follow the steps to specify your fixture, example:
P70414 - COBRA - CASZ - 700

MAXIMUM WIRING DISTANCE FROM DRIVER TO FIRST COBRA AT FULL LOAD

AWG VALUE	DISTANCE (FT)
20	46
18	72
17	92
16	118

DESCRIPTION

- Casambi dimmable protocol LED drive with smooth flicker free dimming
- Remote mounting distance up to 46' (20AWG), 72' (18AWG) to LED load
- Three programmable currents for various lumen offerings
- For custom drive currents consult factory

ELECTRICAL/CONTROLS

- 120-277Vac, 50/60Hz input
- 50W max output
- 2-55Vdc output per channel
- Isolated dimming circuit
- Operating temperature: -4°F to 122°F
- Class II rated
- Suitable for use in damp and dry locations
- Short circuit protection
- Overload protection
- Over-voltage protection
- Thermal protection
- Box: Length = 9", Width = 4", Height = 1-3/8"
- Driver: Length = 5-1/8", Width = 3", Height = 1-1/8"

REMOTE DRIVER - NLIGHT ORDERING CODE

PART NUMBER	P70414-COBRA	LED driver with box and harness
DIMMING	NLT	nLight control interface: standard Cat-5/RJ45 connection (female), dim to off
ELECTRICAL OPTIONS	350 500 700	350mA, 515 lm / ft 500mA, 670 lm / ft 700mA, 850 lm / ft

ORDERING CODE _____

Follow the steps to specify your fixture, example:
P70414 - COBRA - NLT - 700

MAXIMUM WIRING DISTANCE FROM DRIVER TO FIRST COBRA AT FULL LOAD

AWG VALUE	DISTANCE (FT)
20	46
18	72
17	92
16	118

DESCRIPTION

- nLight dimmable protocol LED drive with smooth flicker free dimming
- Remote mounting distance up to 46' (20AWG), 72' (18AWG) to LED load
- Three programmable currents for various lumen offerings
- For custom drive currents consult factory

ELECTRICAL/CONTROLS

- 120-277Vac, 50/60Hz input
- 50W max output
- 2-55Vdc output per channel
- Operating temperature: -4°F to 122°F
- Class II rated
- Suitable for use in damp and dry locations
- Short circuit protection
- Over-voltage protection
- Thermal protection
- Box: Length = 9", Width = 4", Height = 1-3/8"
- Driver: Length = 5-1/8", Width = 3", Height = 1-1/8"

REMOTE DRIVER

