

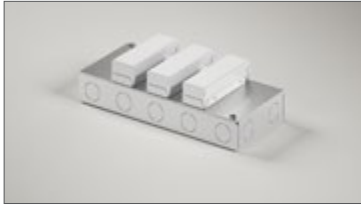
PROJECT INFORMATION		
JOB NAME		TYPE
ORDERING CODE		

DX

Compact Driver Box

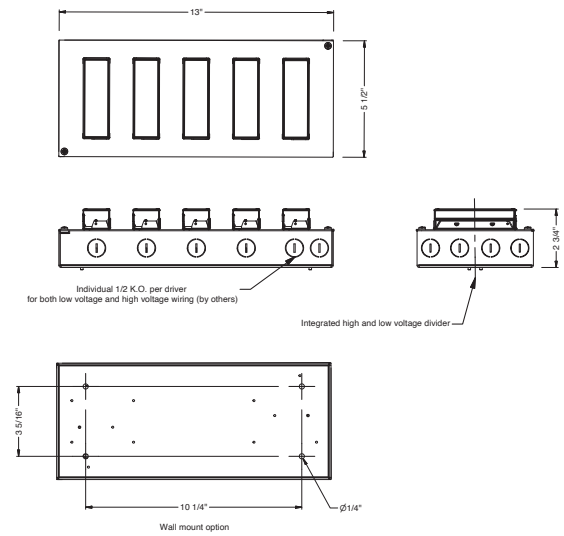


eldoLED[™]
your product | our drive

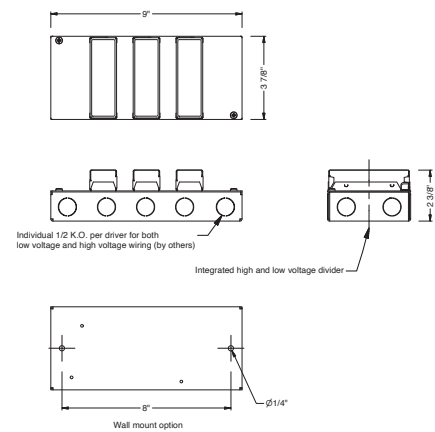


DIMENSIONS

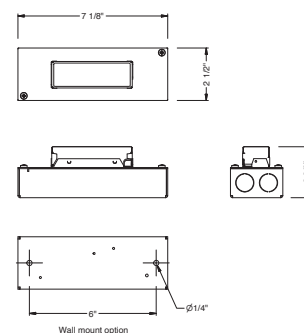
REMOTE 4 TO 5 DRIVER BOX (3 X 50W / 1 X 100W)



REMOTE 2 TO 3 DRIVER BOX (2 X 50W / 1 X 75W)



REMOTE SINGLE DRIVER BOX



DESCRIPTION

ALPHABET's DX Compact remote driver box holds up to 5 LED drivers with maximum 20W output each or 3 drivers with a maximum 50W each. It solves many application issues for remote driver placement and allows for easy maintenance where individual fixture access is challenging. Drivers are included and work with any 2108 listed fixtures.

ELECTRICAL/CONTROLS

INPUT:

- 120-277Vac, 50/60Hz input

OUTPUT:

- Maximum 50W total output per driver
- Output voltage range 2-55Vdc per channel (see page 2)
- Programmable output current range: 150-500mA (see driver table)
- Additional driver information on page 2
- Max 18 AWG 330ft remote fixture distance

CONTROLS:

- DALI2, DMX, and 0-10V dimming options available
- Lutron, Casambi, NLT, Athena System and emergency options available, consult factory

LISTING:

- Listed to UL2108, CSA C22.2 #250.0 and UL8750

MOUNTING

- Wall mount or plenum space (must have access ceiling access)
- Max. ambient installation temperature 95°F(35°C)
- Minimum 12" top and bottom clearance from floor, ceiling or any obstruction
- Minimum 6" side by side clearance

alphabet

PROJECT INFORMATION		
JOB NAME		TYPE
ORDERING CODE		

REMOTE DRIVER - 0-10V ORDERING CODE

PART NUMBER	DX-C	compact driver box
ELECTRICAL OPTIONS	20W	20W
	30W	30W
	50W	50W
	75W	75W
	100W	100W
DIMMING	DIM10	eldoLED flicker free 0-10V dimming to 1%
	DIM10Z	eldoLED flicker free 0-10V dimming to 0%
NUMBER OF DRIVERS	1-5	number of drivers, 1-5

ORDERING CODE _____

Follow the steps to specify your fixture, example:

DX - C - DIM10Z - 20W - 5

WATTAGE	DIMMING TYPE	DRIVER MODEL	MAX mA	DRIVER NUMBER
20W	DIM10	eldoLED - ECOdrive EC22B	500mA	5
30W	DIM10	eldoLED - ECOdrive 361/B	750mA	3
50W	DIM10	eldoLED - ECOdrive 561/B	1200mA	3
75W	DIM10	eldoLED - ECOdrive 75B-MIA0A	1900mA	1
20W	DIM10Z	eldoLED - SOLOdrive SL22B	500mA	5
30W	DIM10Z	eldoLED - SOLOdrive 361/B	750mA	3
50W	DIM10Z	eldoLED - SOLOdrive 561/B	1200mA	3
75W	DIM10Z	eldoLED - SOLOdrive 75B-MIA0A	1900mA	1
100W	DIM10Z	MOONS' - MU096A210AQD	2100mA	1

DESCRIPTION

- 0-10V dimmable protocol LED driver with smooth flicker free dimming
- 0-10V wiring to be supplied & completed by customer, integrated divider for low and high voltage wiring management
- single output per driver

ELECTRICAL/CONTROLS

- 120-277Vac, 50/60Hz input
- 20W/50W/75W/100W options
- 2-55Vdc output per channel
- 0-10V compatible
- Logarithmic dimming curve
- Operating temperature: -4°F to 122°F
- Class II rated
- Suitable for use in damp and dry locations
- Short circuit protection
- Overload protection
- Over-voltage protection
- Thermal protection

REMOTE DRIVER - DALI ORDERING CODE

PART NUMBER	DX-C	compact driver box
ELECTRICAL OPTIONS	20W	20W
	30W	30W
	50W	50W
	75W	75W
	100W	100W
DIMMING	DALI	eldoLED flicker free DALI 2 dimming to 1%
	DALIZ	eldoLED flicker free DALI 2 dimming to 0%
NUMBER OF DRIVERS	1-5	number of drivers, 1-5

ORDERING CODE _____

Follow the steps to specify your fixture, example:

DX - C - DALIZ - 50W - 3

WATTAGE	DIMMING TYPE	DRIVER MODEL	MAX mA	DRIVER NUMBER
20W	DALI	eldoLED - ECOdrive EC22B	500mA	5
30W	DALI	eldoLED - ECOdrive 360/B	750mA	3
50W	DALI	eldoLED - ECOdrive 560/B	1200mA	3
75W	DALI	eldoLED - ECOdrive 75B-MIA0D	1900mA	1
20W	DALIZ	eldoLED - SOLOdrive EC22B	500mA	5
30W	DALIZ	eldoLED - SOLOdrive 360/B	750mA	3
50W	DALIZ	eldoLED - SOLOdrive 560/B	1200mA	3
75W	DALIZ	eldoLED - SOLOdrive 75B-MIA0D	1900mA	1
100W	DALIZ	MOONS' - MU096I210AQI22	2100mA	1

DESCRIPTION

- DALI dimmable protocol LED driver with smooth flicker free dimming
- DALI wiring to be supplied & completed by customer, integrated divider for low and high voltage wiring management
- single output per driver

ELECTRICAL/CONTROLS

- 120-277Vac, 50/60Hz input
- 20W/50W/75W/100W options
- 2-55Vdc output per channel
- DALI compatible
- Logarithmic dimming curve
- Operating temperature: -4°F to 122°F
- Class II rated
- Suitable for use in damp and dry locations
- Short circuit protection
- Overload protection
- Over-voltage protection
- Thermal protection

REMOTE DRIVER - DMX ORDERING CODE

PART NUMBER	DX-C	compact driver box
ELECTRICAL OPTIONS	50W	50W
	100W	100W
DIMMING	DMX-RJ45	DMX control dimming to 0.1% with RJ45 connection
NUMBER OF DRIVERS	1	number of drivers, 1

ORDERING CODE _____

Follow the steps to specify your fixture, example:

DX - C - DMX-RJ45 - 50W - 1

WATTAGE	DIMMING TYPE	DRIVER MODEL	MAX mA	DRIVER NUMBER
50W	DMXZ	MOONS' - MU0501180AQI52	1200mA	1
100W	DMXZ	MOONS' - MU096I210AQI52	2100mA	1

DESCRIPTION

- DMX dimmable protocol LED driver with smooth flicker free dimming
- DMX prewired to RJ45, in and out. Drivers individually addressable.
- single output per driver

ELECTRICAL/CONTROLS

- 120-277Vac, 50/60Hz input
- 50W/100W options
- 8-55Vdc output per channel
- DMX compatible
- Logarithmic dimming curve
- Operating temperature: -13°F to 122°F
- Class II rated
- Suitable for use in damp and dry locations
- Short circuit protection
- Overload protection
- Over-voltage protection
- Thermal protection

PROJECT INFORMATION		
JOB NAME		TYPE
ORDERING CODE		

ORDERING PAGE

DRIVER BOX # _____ Each Driver Panel is pre-configured to the specifications below.
Please fill out this form, or multiple forms as needed, and submit along with the purchase order.

DRIVER PANEL ORDERING PAGE 20W

DRIVER LABEL

DRIVER	OUTPUT	TYPE	PWR CIRCUIT	CONTROL CIRCUIT	ZONE	mA
1	1					
2	2					
3	3					
4	4					
5	5					

DRIVER BOX # 1 Each Driver Panel is pre-configured to the specifications below.
Please fill out this form, or multiple forms as needed, and submit along with the purchase order.

DRIVER PANEL ORDERING PAGE 20W - EXAMPLE

DRIVER LABEL

DRIVER	OUTPUT	TYPE	PWR CIRCUIT	CONTROL CIRCUIT	ZONE	mA
1	1	CL.02	L-1	D1a	Z2	400
2	2	CL.02	L-1	D1a	Z2	400
3	3	CL.02	L-1	D1a	Z2	400
4	4	CL.02	L-1	D1a	Z2	400
5	5	CL.02	L-1	D1a	Z2	400