



JOB NAME _____

CONTACT _____

ORDERING CODE _____

XICATO XTM MODULE - ORDERING CODE

PART NUMBER	350409	
LED	XTM19	XICATO XTM 19mm
DELIVERED LUMENS	10LM	840 lm
CCT	27K 30K 35K 40K	2700K 3000K 3500K 4000K
CRI	83	83 CRI
REFLECTOR	SA36 SA54 DA36 DA54	36° specular 54° specular 36° diffused 54° diffused
VOLTAGE	120	120V
DIMMING	ELV	10% trailing edge dimming
FINISH	BK WH MC	black white matte chrome
MOUNTING OPTIONS	ECOBK ECOWH ECOMC GEOBK GEOWH GEOCMC ZONMC	ECO/HALO black ECO/HALO white ECO/HALO matte chrome GEO black GEO white GEO matte chrome Zonyx matte chrome
GLASS	GLASS ¹	glass shade

E10 LED Track Spot Xicato

XICATO



Glass

ORDERING CODE _____

Follow the steps to specify your fixture, example:
350409 - XTM19 - 10LM - 30K - 83 - SA54 - 120 - ELV - MC - ECOBK

XTM19 (LED)	POWER
DELIVERED LM	W (83 CRI)
840	11

Power Factor ≥ 0.9

NOTES

- Glass shade not offered with reflector.

DESCRIPTION

The E10 LED Track Spot is an economical solution with a clean cylinder design. A 2" aperture with a 36° or 54° beam spread or a decorative opal cased glass shade with a 60° beam spread. E10 Track Spot carries the first 5 Year NO COLOR SHIFT AND FIXTURE WARRANTY.

HOUSING

Extruded aluminum housing with white, matte chrome or black finish

MOUNTING

Global Trac Systems, GEO track, ECO track / HALO® Power Trac track, and Zonyx track

LISTINGS

- ETLus Listed to UL1574 (track suitable for dry locations only)
- cETL Listed to CSA C22.2 #250.0
- Made in the USA - meets the requirements of the Buy American provision within the ARRA

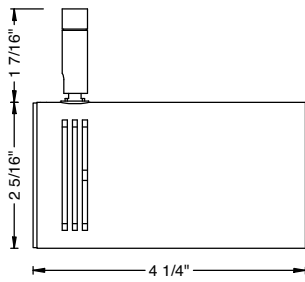
LED INFO

- XICATO XTM:
- SDCM = 1x2 MacAdam Ellipse, Duv +/- 0.001, Lumen Maintenance: L₉₀ > 55,000 hrs

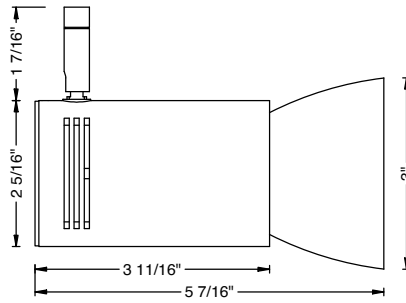
MOUNTING OPTIONS

Mounting Options

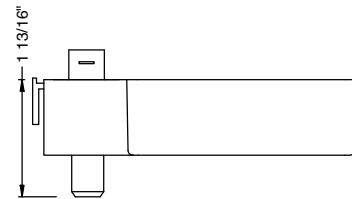
ECOBK	ECO/HALO BLACK
ECOWH	ECO/HALO WHITE
ECOMC	ECO/HALO MATTE CHROME
GEOBK	GEO BLACK
GEOMC	GEO WHITE
GEOMC	GEO MATTE CHROME
ZONMC	ZONYX MATTE CHROME



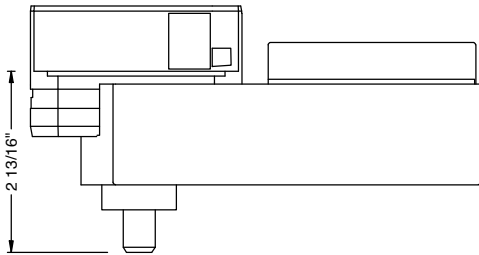
Standard



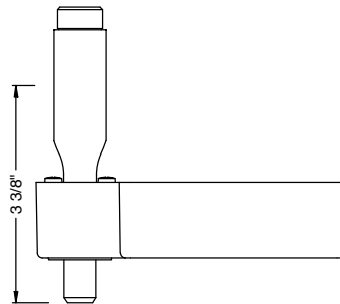
Glass Shade



ECO/HALO



GEO



ZON