

JOB NAME _____

CONTACT _____

ORDERING CODE _____

ORDERING CODE



LM-79

SERIES	ECOJ	single circuit
TYPE	4L 6L 8L	4 ft 6 ft 8 ft
VOLTAGE	120	120V
FINISH	BK WH	black white

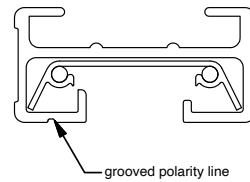
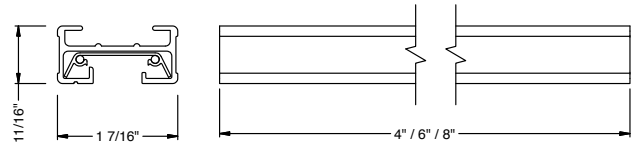
ECOJ

Single Circuit J Track



Follow the steps to specify your fixture, example:
ECOJ - 4L - 120 - WH

- Single end cap included.



DESCRIPTION

ECOJ is a single circuit lighting track system for use with a variety of BRUCK products. Offered in black or white finish in a variety of lengths.

HOUSING

- Extruded aluminum, powder coat in white and black.
- #12 gauge copper conductors co-extruded in PVC insulator.

MOUNTING

- Surface mount
- Rigid pendant or Swivel rigid pendant mount

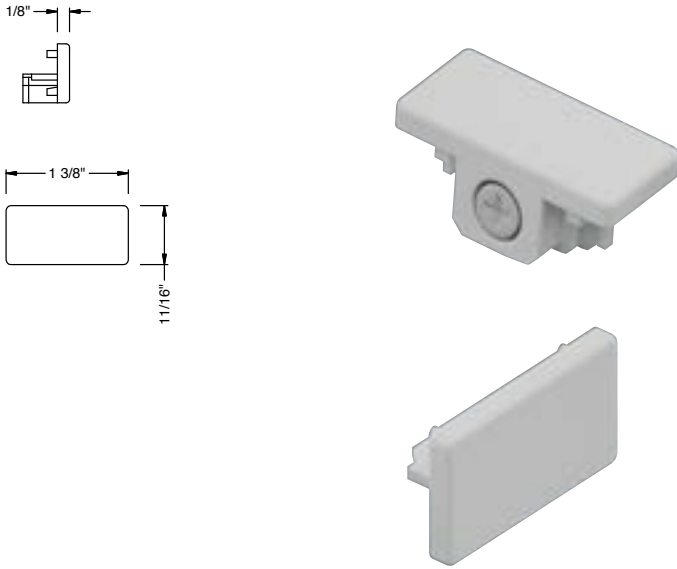
ELECTRICAL/CONTROLS

- Single Circuit
- Max 2400W, 20A per circuit
- 120V only

LISTING

- ULListed to UL 1574, UL listed to CSA C22.2 #9.0-96
- Suitable for dry locations only.

ECOJ END CAP ORDERING CODE



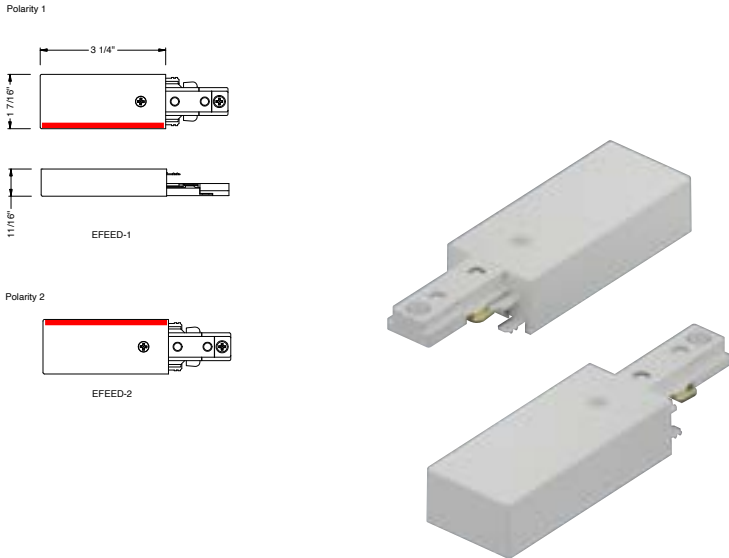
SERIES	ECOJ	single circuit
TYPE	ECAP	end cap
FINISH	BK WH	black white

ORDERING CODE _____

Follow the steps to specify your fixture, example:
ECOJ - ECAP - WH

- ECOJ end cap offered in white and black.

ECOJ END FEED ORDERING CODE



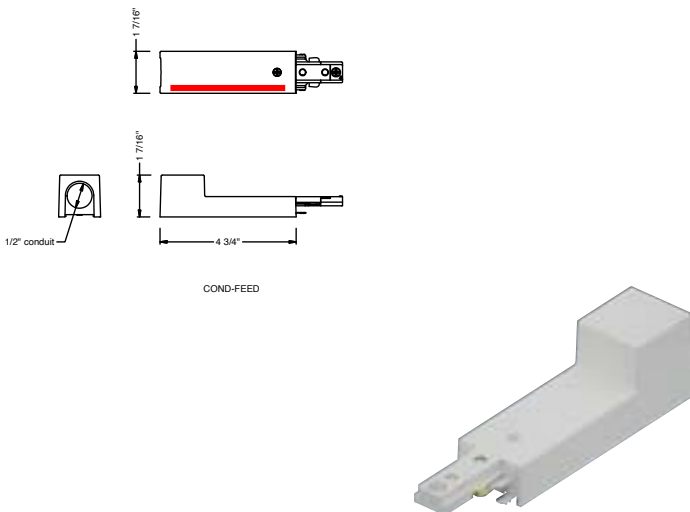
SERIES	ECOJ	single circuit
TYPE	EFEED-1 EFEED-2	end feed, polarity 1 end feed, polarity 2
FINISH	BK WH	black white

ORDERING CODE _____

Follow the steps to specify your fixture, example:
ECOJ - EFEED - 1 - WH

- Power end feed for ECOJ track, offered in white and black
- Offered in two polarity options.

CONDUIT FEED ORDERING CODE



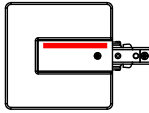
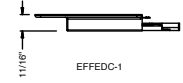
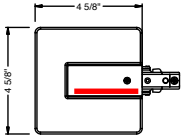
SERIES	ECOJ	single circuit
TYPE	COND-FEED	conduit end feed
FINISH	BK WH	black white

ORDERING CODE _____

Follow the steps to specify your fixture, example:
ECOJ - COND - FEED - WH

- End feed with conduit power in access. Offered in White and Black.
- 1/2" trade size conduit knock out.

END FEED CANOPY ORDERING CODE



EFFEDC-2



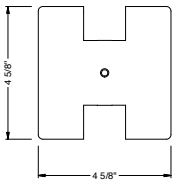
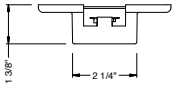
SERIES	ECOJ	single circuit
TYPE	EFFEDC-1 EFFEDC-2	end feed with cover, inside polarity end feed with cover, outside polarity
FINISH	BK WH	black white

ORDERING CODE

Follow the steps to specify your fixture, example:
ECOJ - EFEEDC - 1 - WH

- End feed with canopy cover. offered in white and black
Covers standard 4in square and octagonal j-boxes.
- Offered in two polarities.

ECOJ FLOATING CANOPY ORDERING CODE



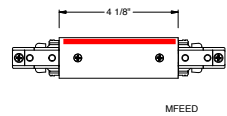
SERIES	ECOJ	single circuit
TYPE	FCANOPY	floating canopy with power feed
FINISH	BK WH	black white

ORDERING CODE

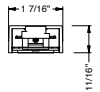
Follow the steps to specify your fixture, example:
ECOJ - FCANOPY - WH

- Floating Canopy can be installed at any point along the track with power feed in. offered in white and black. End cap included.
- Covers standard 4in square and octagonal j-boxes.

ECOJ MIDDLE FEED CONNECTOR ORDERING CODE



MFEED



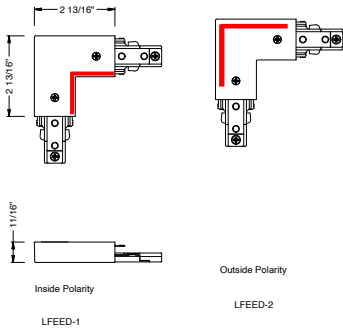
SERIES	ECOJ	single circuit
TYPE	MFEED	middle feed connector
FINISH	BK WH	black white

ORDERING CODE

Follow the steps to specify your fixture, example:
ECOJ - MFEED - WH

- Middle connector - joins two track runs. Offered in white and black.
- Power feed-in compatible.

ECOJ L FEED CONNECTOR ORDERING CODE



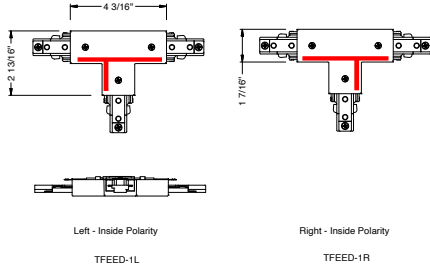
SERIES	ECOJ	single circuit
TYPE	LFEED-1 LFEED-2	L - feed connector, inside polarity L - feed connector, outside polarity
FINISH	BK WH	black white

ORDERING CODE _____

Follow the steps to specify your fixture, example:
ECOJ - LFEED - 1 - WH

- L connector - joins two tracks in a right angle. Offered in white and black.
- Offered in two polarity options.
- Power feed-in compatible.

ECOJ T FEED CONNECTOR ORDERING CODE



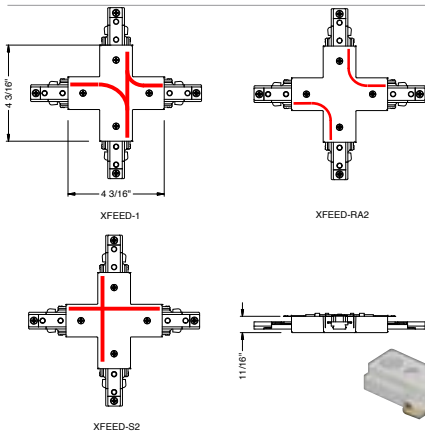
SERIES	ECOJ	single circuit
TYPE	TFEEED-1L TFEEED-1R	T - feed connector, left-inside polarity T - feed connector, right-inside polarity
FINISH	BK WH	black white

ORDERING CODE _____

Follow the steps to specify your fixture, example:
ECOJ - TFEEED - 1L - WH

- T connector - joins three tracks in T configuration. Offered in white and black.
- Offered in two polarity options.
- Power feed-in compatible.

ECOJ X FEED CONNECTOR ORDERING CODE



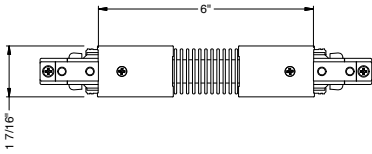
SERIES	ECOJ	single circuit
TYPE	XFEEED-1 XFEEED-RA2 XFEEED-S2	X - feed connector single circuit X - feed connector right-angle, two independent wired circuits X - feed connector straight, two independent wired circuits
VOLTAGE	120	120V
FINISH	BK WH	black white

ORDERING CODE _____

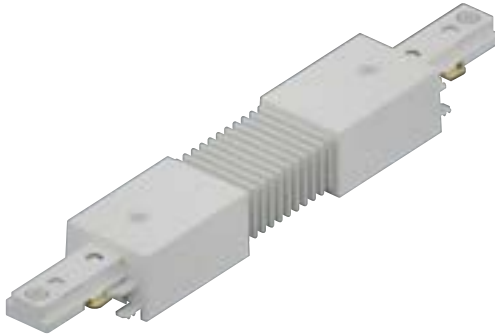
Follow the steps to specify your fixture, example:
ECOJ - XFEEED - RA2 - WH

- X connector - joins four tracks in a X configuration. Offered in white and black.
- Offered in three polarity options.
- Power feed-in compatible.

FLEXIBLE CONNECTOR ORDERING CODE



FLEX-CON



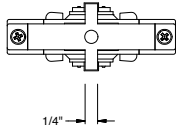
SERIES	ECOJ	single circuit
TYPE	FLEX-CON	flexible connector
FINISH	BK WH	black white

ORDERING CODE _____

Follow the steps to specify your fixture, example:
ECOJ - FLEX - CON - WH

- Flexible connector joins two tracks from 0° up to 90°.
- Power pass through.

ECOJ COUPLER ORDERING CODE



1/4"



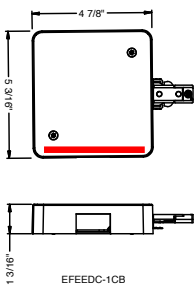
SERIES	ECOJ	single circuit
TYPE	CPLR	track coupler
FINISH	BK WH	black white

ORDERING CODE _____

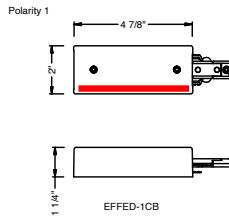
Follow the steps to specify your fixture, example:
ECOJ - CPLR - WH

- Coupler joins two tracks
- Power pass through

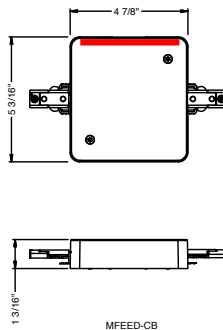
CIRCUIT BREAKER ORDERING CODE



EFEED-1CB



EFFED-1CB



MFEED-CB

SERIES	ECOJ	single circuit
TYPE	EFEED-1CB EFFED-1CB MFEED-CB	end feed with cover - circuit breaker, inside polarity end feed with circuit breaker, inside polarity M - feed connector with circuit breaker
FINISH	BK WH	black white
ELECTRIC OPTIONS	010 020 030 050 070 120	1 amp circuit breaker 2 amp circuit breaker 3 amp circuit breaker 5 amp circuit breaker 7 amp circuit breaker 12 amp circuit breaker

ORDERING CODE _____

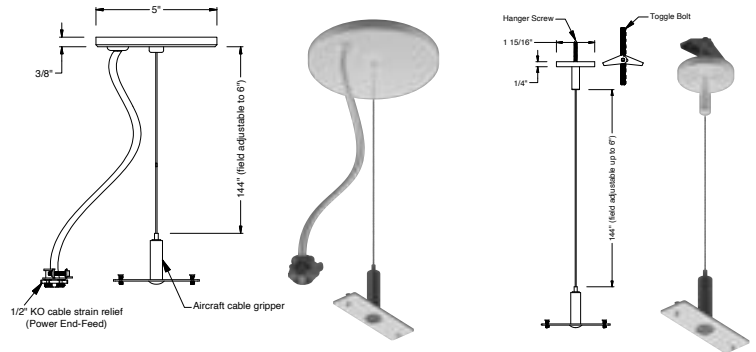
Follow the steps to specify your fixture, example:
ECOJ - EFEED - 1CB - WH - 100

- Power Feed connectors that limit the allowable electrical load on the circuit.



ACCESSORIES

ECOJ/TBAR-CLIP³	Tbar mounting clip
ECOJ/TBAR-CLIP-2³	Tbar mounting clip, thick tile
ECOJ/SUS-P-12¹	144" Aircraft suspension Kit - Power Cord canopy
ECOJ/SUS-NP-12¹	144" Aircraft suspension Kit - Non Power canopy
ECOJ/STEM-CPLR¹	stem coupler, joins multiple stems
ECOJ/STEM-4^{1,2}	48" stem
ECOJ/STEM-2^{1,2}	24" stem
ECOJ/STEM-1^{1,2}	12" stem
ECOJ/RPS-CANOPY¹	swivel rigid pendant mount kit with canopy
ECOJ/RP-COVER¹	rigid pendant wireway cover
ECOJ/RP-CANOPY¹	rigid pendant mount kit with canopy

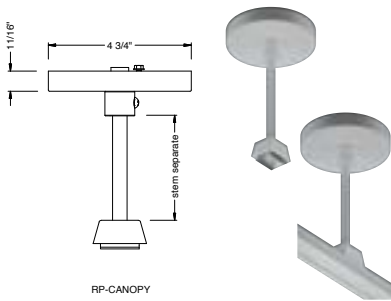


ECOJ/SUS-P

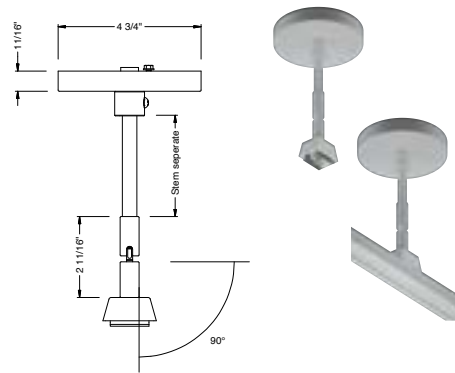
ECOJ/SUS-NP

NOTES

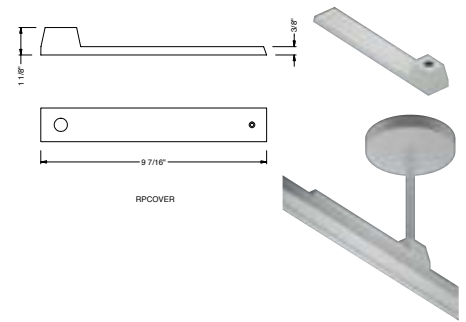
1. Complete code with finish /WH or /BK.
2. Stems are not field adjustable.
3. Do not add finish option.



ECOJ/RP-CANOPY



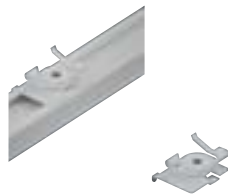
ECOJ/RPS-CANOPY



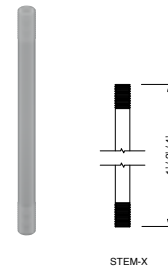
ECOJ/RP-COVER



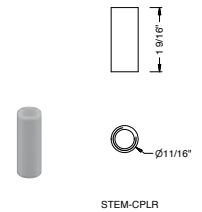
ECOJ/TBAR-CLIP



ECOJ/TBAR-CLIP-2



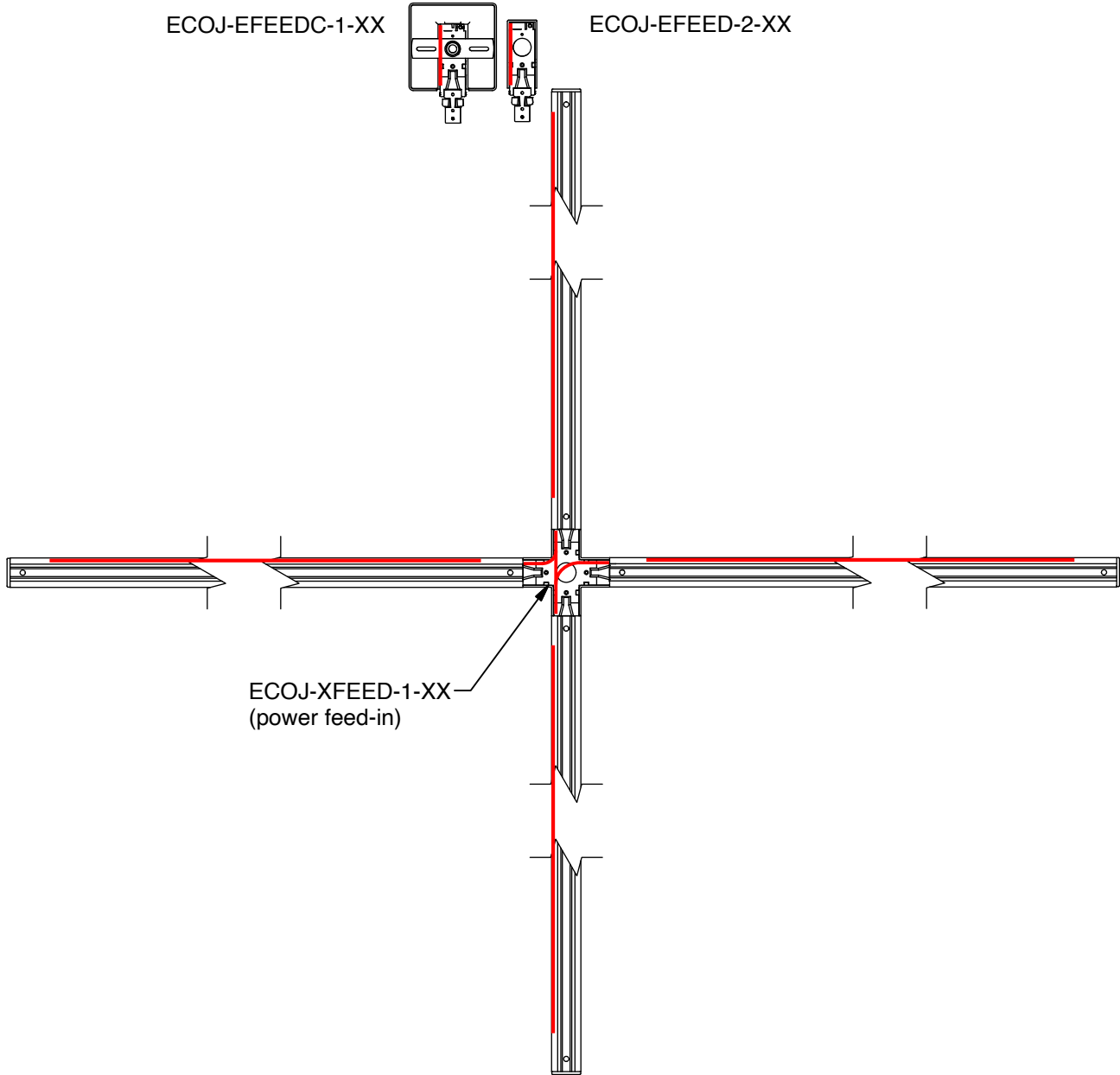
ECOJ/STEM - X



ECOJ/STEM-CPLR

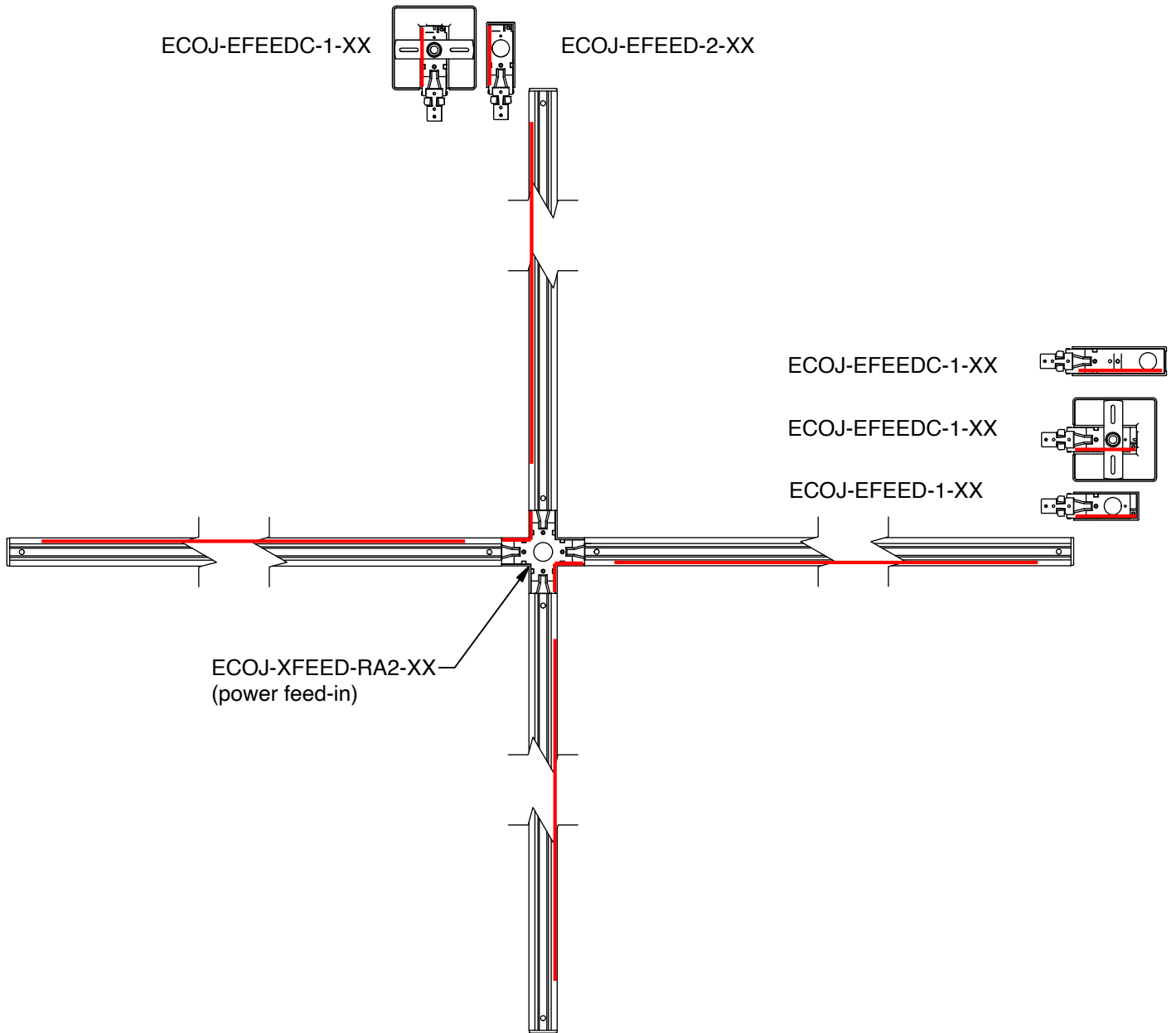
DESIGN GUIDE

X (SINGLE WIRED CIRCUIT) REFLECTED CEILING PLAN



DESIGN GUIDE

X (TWO INDEPENDENT WIRED CIRCUITS) REFLECTED CEILING PLAN



DESIGN GUIDE

RECTANGLE (SINGLE WIRED CIRCUIT) REFLECTED CEILING PLAN

