

JOB NAME _____

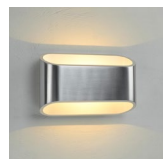
CONTACT _____

ORDERING CODE _____

ADA LM-79

ORDERING CODE		
SERIES	WALL	indoor wall sconce
TYPE	EC1	Eclipse up and down, 9.2W, 315 lm up, 315 lm down
CCT	30K 35K	3000K 3500K
CRI	90	90 CRI
VOLTAGE	UNV	120V-277V
DIMMING	ELV ¹	trailing edge dimming to 5%
FINISH	BK/G AL/WH	black outer / gold inner brushed chrome outer / white inner

ECLIPSE Indirect Wall



AL/WH

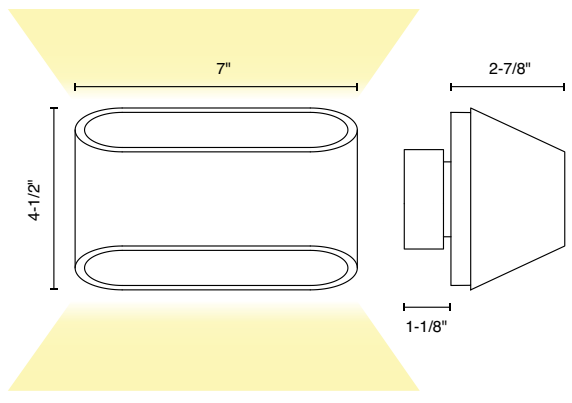


BK/G

ORDERING CODE _____

Follow the steps to specify your fixture, example:
WALL - EC1 - 30K - 90 - UNV - ELV - BK/G

NOTES
 1. ELV only available at 120V.



DESCRIPTION
 Eclipse is a indirect LED sconce made of extruded aluminum with no visible light source from any angle. Its contemporary organic design allows for a modern look with a warm classic glow illuminating the wall from either side of its elliptical body. It is offered in brushed chrome exterior housing with white inner reflector or black exterior housing with gold inner reflector for horizontal or vertical mounting.

HOUSING
 - Extruded aluminum housing with black/gold, or brushed chrome/white finish

MOUNTING
 - Square base over a 3-1/2" to 4" recessed round junction box.

ELECTRICAL/CONTROLS
 - Dimmer: Lutron DVELV-300P

LISTINGS
 - ETLus Listed to UL1598 (suitable for dry location only)
 - cETL Listed to CSA C22.2 #250.0
 - ADA Compliant

LED INFO
 - LED: Zigen ZG6BGE-34W0S
 - SDCM: 3-step MacAdam Ellipse
 - Lumen Maintenance: L₇₀ > 50,000 hrs
 - Warranty: 5 year limited warranty