

Eco Fixture Mounting (Track and Pendant)



READ AND FOLLOW ALL WARNINGS AND INSTRUCTIONS BEFORE INSTALLING OR MAINTAINING THIS PRODUCT. TURN OFF POWER PRIOR TO ANY WORK ON THE TRACK, SYSTEM OR PRODUCT. DO NOT INSTALL DAMAGED PRODUCT.

Installation, wiring, and maintenance must be done by a certified electrician in accordance with all local and National Electrical Codes.

Warranty is voided in case of unauthorized modifications and/or improper use.

Save these instructions and refer to them when additions, changes, or services to the ECO fixture or the ECO track system are made.

CAUTION – Do not install any fixture assembly closer than 6 inches (15.24 cm) from any combustible material.

Do not install any part of an ECO track system less than 5 feet (1.542 m) above the floor.

Do not attempt to energize anything other than ECO track luminaires on track.

Suitable for dry locations only.

⚠ WARNING ⚠

- To avoid possible electrical shock, before installing light fixtures, disconnect power by turning off the circuit breakers both to the outlet box and to its associated wall switch location if you cannot lock the circuit breakers in the off position, securely fasten a prominent warning device, such as a tag to the service panel.
- Verify that supply voltage is correct by comparing it with the luminaire label information.
- Make all electrical and grounded connections in the accordance with the National Electrical Code (NEC) and any applicable local code requirements.
- Allow sufficient time for fixture and / or driver to cool before servicing and performing maintenance.

⚠ CAUTION ⚠

- All wiring must be in accordance with national and local electrical codes and ANSI/NFPA 70. If you are unfamiliar with wiring you should use qualified electrician.
- PPE Personal Protective Equipment such as gloves and safety glasses should be used at all times when installing, maintaining or servicing.
- Risk of fire. Keep combustible material away from fixtures.

⚠ ADVERTENCIA ⚠

- Para evitar un posible choque, antes de instalar luminarias, desconecte la alimentación apagando los interruptores de circuito y ubicación del interruptor de pared. Si no se pueden bloquear los interruptores en la posición de apagado, sujetar un dispositivo de advertencia en el panel de servicio.
- Compruebe que la tensión de alimentación es correcta comparándola con la información de etiqueta de la luminaria.
- Hacer todas las conexiones eléctricas y puesta a tierra de acuerdo con el código eléctrico nacional (NEC) y los requisitos del código local aplicable.
- Permitir suficiente tiempo para el luminario y el controlador para enfriar antes de enpesar el servicios y mantenimiento.

⚠ PRECAUCION ⚠

- Todo el cableado debe hacerse de conformidad con los códigos eléctricos nacionales y locales y ANSI/NFPA 70. Si no está familiarizado con el cableado, se debe utilizar a un electricista.
- Equipo de protección personal como guantes y lentes de seguridad se debe utilizar al instalar, mantener o reparar.
- Riesgo de incendio. Mantenga los materiales combustibles lejos de los liminario.

⚠ AVERTISSEMENT ⚠

- Pour éviter les chocs, avant d'installer des appareils d'éclairage, coupez l'alimentation en désactivant les disjoncteurs et l'emplacement du commutateur mural. Si vous ne pouvez pas verrouiller les disjoncteurs en position d'arrêt, fixer un avertissement sur le panneau de service.
- Vérifiez que la tension d'alimentation est correcte en le comparant avec les informations d'étiquette de luminaire.
- Effectuer tous les raccordements électriques et mise à la terre dans la conformité avec le Code électrique National (NEC) et des exigences du code local applicable.
- Laisser suffisamment de temps pour l'appareil et pilote refroidir avant d'effectuer l'entretien et la maintenance.

⚠ MIS EN GARDE ⚠

- Tout le câblage doit être effectué conformément aux codes électriques locaux et nationaux et ANSI/NFPA 70. Si vous êtes peu familier avec câblage, vous devez utiliser un électricien qualifié.
- Équipement de protection personnelle comme des gants et des lunettes de sécurité doivent être utilisé en tout temps lors de l'installation, maintenance ou entretien.
- Risque d'incendie. Garder les matières combustibles loin de luminaires.

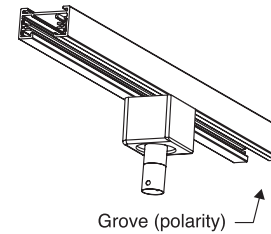
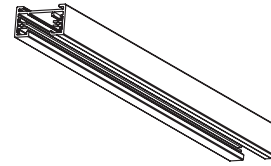
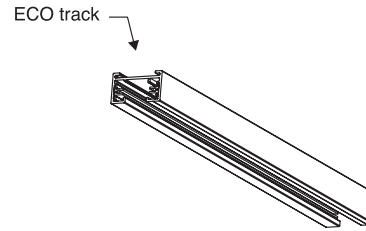
ECO TRACK

INSTRUCTIONS FOR USE

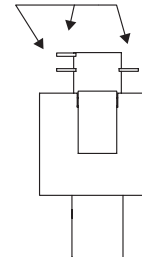
- 1 De-energize circuit before installation.
- 2 Depress Eco track adapter contact tabs to ensure electrical contact tabs are fully seated on the ECO track adapter before inserting into ECO track.
- 3 Align release tab to the groove (polarity) side of the ECO track.
- 4 While inserting the ECO adapter into the ECO track, twist the ECO adapter counterclockwise 90 degrees. ECO adapter will snap into the ECO track.
- 5 Polarity line on ECO adapter must align with polarity line on ECO track.
- 6 Energize circuit and test for proper operation.

REMOVAL

- 1 Hold fixture body.
- 2 Depress the release tab on the ECO adapter.
- 3 Rotate the ECO adapter clockwise 90 degrees, releasing it from the ECO track.
- 4 Reposition or replace as required.



Depress to ensure tabs are fully seated



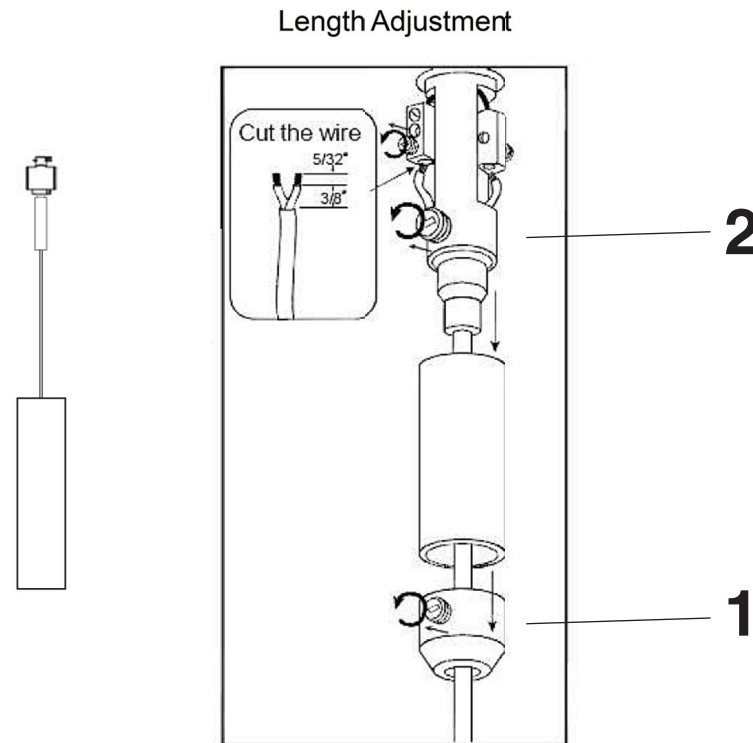
ECO PENDANT FIXTURE

INSTRUCTIONS FOR USE

- 1 While inserting the Adapter into the track, twist the Adapter 90 degrees. The adapter will snap into the track opening. If the Adapter is difficult to rotate while installing, determine if it needs to be rotated in the opposite direction. Polarity line on Adapter must align with polarity line on track.
- 2 Removal:
While holding the fixture body, depress the “release tab” on the Adapter and swivel the Adapter 90 degrees, releasing it from the Track.

CABLE LENGTH ADJUSTMENT

- 1 Remove fixture and track adapter from track.
- 2 Loosen screw #1 on retaining cap to release lower strain relief.
- 3 Slide down decorative sleeve.
- 4 Loosen screw #2 to release upper strain relief.
- 5 Loosen LINE, NEUTRAL, & GROUND wire screws and remove wire.
- 6 Cut wire to desired length.
- 7 Remove 3/4” of the outer insulating sleeve from the pendant cable.
- 8 Strip 5/32” from each wire, insert onto track adapter and secure to adapter assembly.
- 9 Tighten strain relief screw #2
- 10 Slide up decorative sleeve and retaining cap to secure strain relief screw #1.



Ensure pendant wire with “green stripe” is connected to green adapter wire.

ECOJ Suspension

INSTRUCTIONS FOR USE

1. De-energize circuit before installation
2. **Slide Aircraft suspension gripper through top channel of ECOJ track. IMPORTANT:** From Power end feed, suspension points are to be placed no further than 48 inches. Utilize supplied Hanger screw or Toggle bolt. Mounting surface must be rated to support the weight of the track and fixtures.
3. Secure Aircraft suspension gripper to track with the two supplied screws.
4. Guide suspension cables through the gripper to desired height and cut excess.
5. Thread 1/2" KO cable strain relief to power end feed.
6. Remove plastic cover for end feed to access Line voltage terminals. Wire to Live, Neutral and Ground using the provide electrical cord.
7. Secure electrical cord by fastening the strain relief clamp and screw the plastic cover.
8. Cut the electrical cord to the desired length ensuring to leave ten (10) inches of excess cable.
9. Pass the electrical cord through the canopy lid, secure using snap strain relief and press into canopy side opening.
10. Connect the building wiring to the electrical cord.
11. Properly ground fixture in accordance with all local and national electrical codes..
12. Secure the canopy mounting plate to the junction box.
13. Lift the canopy cover and secure with the aircraft coupler by threading to the center hole.
14. Energize circuit and test for proper orientation.

