

Installation instructions D2985c

**GLOBAL**  **GEOX 0-10V** XTSC 6**3-circuit Lighting Track  
3-phases Carril de iluminación  
INSTALLATION INSTRUCTIONS  
INSTRUCTION D 'INSTALLATION****IMPORTANT SAFETY INSTRUCTIONS****Securité d 'installation****Read All Instructions Before Installation**

When installing or using this track system, basic safety precautions should always be followed, including the following :

1. Read all of these installation instructions before installing the GLOBAL 0-10V lighting track system.
2. Do not install the track in damp or wet locations.
3. Do not install any parts of the track system less than 5 ft above the floor.
4. Do not install any fixtures closer than six inches from combustible materials.
5. Do not install the track with electric power connected. Similarly, disconnect electricity when installing or removing fixtures or components or changing the configuration of the track.
6. Do not use this track with a power supply cord or convenience receptacle adapter.
7. The GLOBAL 0-10V system is intended for use only with GLOBAL 0-10V components and fixtures marked for use with Global 0-10V. To reduce risk of fire and electric shock, do not use other components as part of this system.
8. Track installation is to only be performed by a certified electrician in accordance with the National Electrical Code and all local codes and ordinances.
9. Do not connect track to more than one branch circuit unless track is wired to either a 120/240 Volt single-phase three wire system, or to a 120/208 Volt 3-phase, 4-wire system. Check with a qualified electrician. Although the track lighting system may seem to operate acceptably, a dangerous overload of the neutral may occur and result in a risk of fire.
10. Do not attempt to energize anything other than Lighting Track Fixtures on the track. To reduce the risk of fire and electrical shock, do not attempt to connect power tools, extension cords, appliances and the like to the track.

**IMPORTANT**  
**SAVE THESE INSTRUCTIONS FOR FUTURE REFERENCE WHEN  
ADDING FIXTURES OR CHANGING THE TRACK  
CONFIGURATION**

# GLOBAL <sup>LED</sup> GEOX 0-10V XTSC 6

**D-  
Montageanweisung für  
Stromschienen**

3-Phasen (3P+N+PE)  
Un 120V, In 20A 60 Hz  
0-10V 1A 30V FELV  
Schutzklasse I, IP 20

**F-  
Instruction d'installation  
pour un système des rails  
d'allumage**

3-phases (3P+N+PE)  
Un 120V, In 20A 60 Hz  
0-10V 1A 30V FELV  
Classe I, IP 20

**I-  
Istruzioni per  
l'installazione dei binari  
elettrificati**

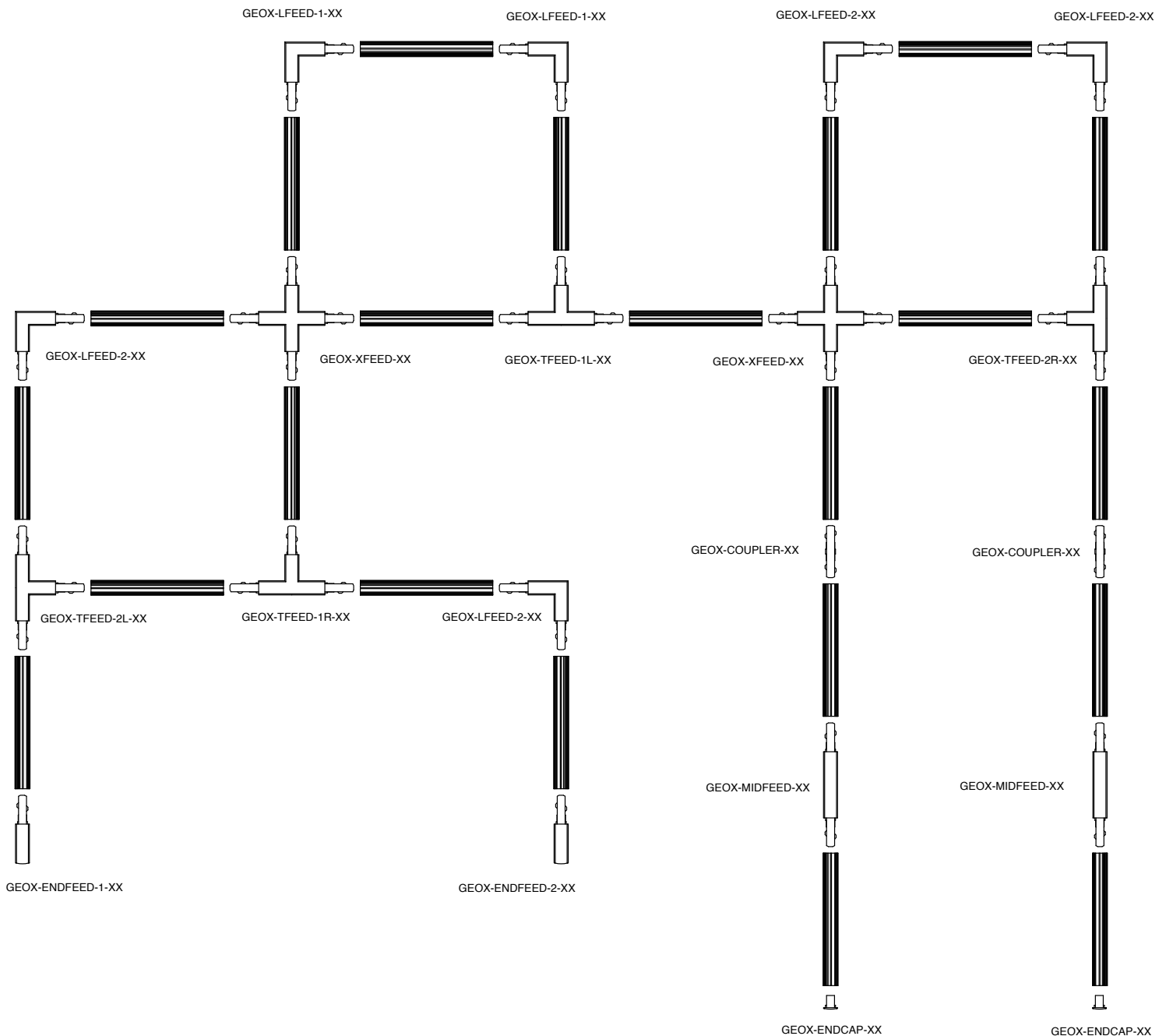
Trifase (3P+N+PE)  
Un 120V, In 20A 60 Hz  
0-10V 1A 30V FELV  
Classe di protezione I, IP 20

**GB-  
Installation instructions  
of lighting track system**

3-phase. (3P+N+PE)  
Un 120V, In 20A 60Hz  
0-10V 1A 30V FELV  
Class I, IP 20

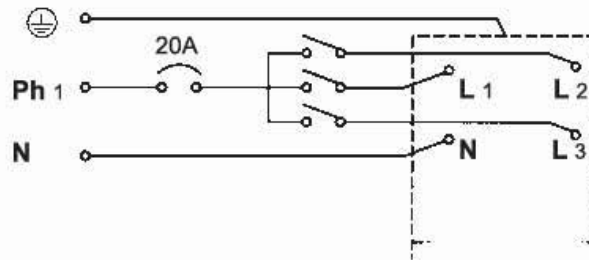
**ES-  
Instrucciones de  
instalación para carril de  
iluminación.**

3-fases (3P+N+PE)  
Un 120V, In 20A 60Hz  
0-10V 1A 30V FELV  
Clase I, IP 20



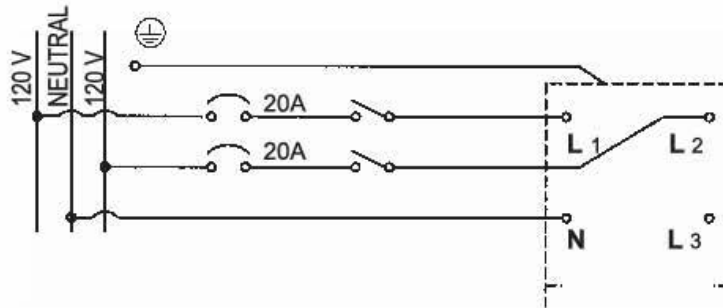
## ELECTRICAL CONNECTION

120 Volt  
Single phase  
Two wire



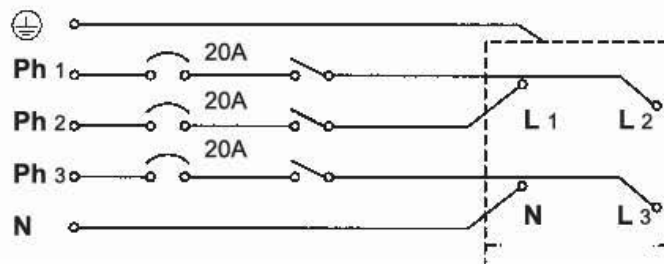
MAX LOAD: 2400 W

120/208 Volt  
Single phase  
Three wire



MAX LOAD: 4800 W  
(EVENLY SPLIT  
BETWEEN CIRCUITS)

120/208 Volt  
Three phase  
Four wire



MAX LOAD: 7200 W  
(EVENLY SPLIT  
BETWEEN CIRCUITS)

### TERMINAL MARKING DEFINITIONS

L<sub>1</sub>- Live Supply circuit 1

L<sub>2</sub>- Live Supply circuit 2

L<sub>3</sub>- Live Supply circuit 3

See diagrams above for  
connections to branch  
circuits

N - Neutral (Limited to 20A max)

⊕ - Ground

DA (-,+) Control signal wire

GB- Connection

Local installation requirements have  
to be followed.

F- Connexion

La réglementation locale doit être  
suivie lors de l'installation.

## INSTALLATION OF GLOBAL GEOX 0-10V TRACK TO AN OUTLET BOX

### STEP 1.

Remove the knock-out hole provided on the back side of the feed connector. Remove feed connector cover.

### STEP 2.

Pass the supply, neutral, signal and ground wires through the canopy cover.

### STEP 3.

Attach feed connector to track (NOTE: track is polarized and feed connector will only fit one end of track). Pass wires through hole on feed and mount track to ceiling using toggle bolts or screws.

### STEP 4.

ALWAYS CONNECT GROUND WIRE TO GREEN GROUND TERMINAL. Connect live conductors to the appropriate terminal marked "L1", "L2" or "L3". Connect the neutral conductor to terminal marked "N".

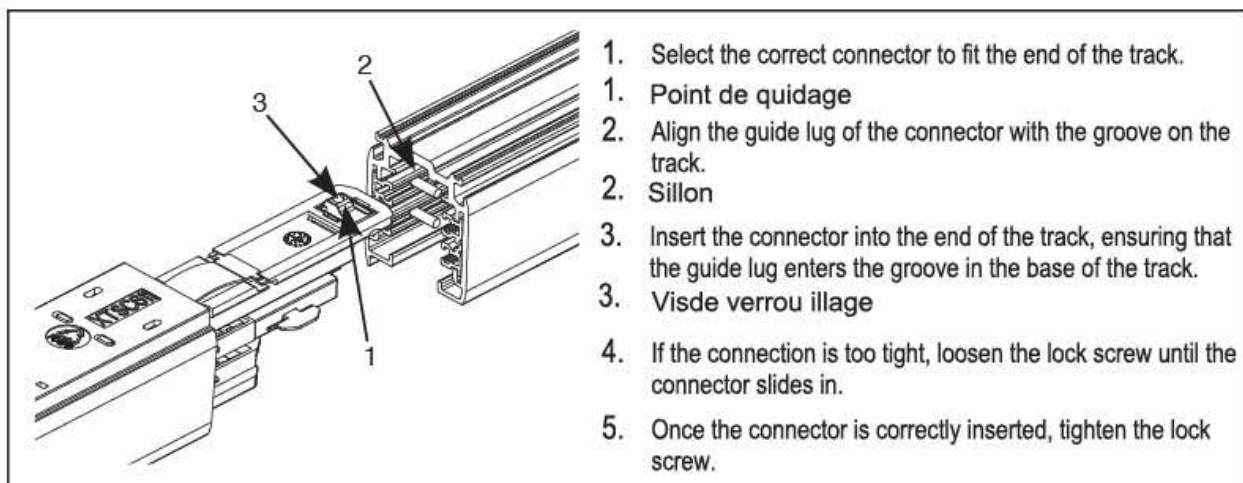
### STEP 5.

Connect signal wires to D(-) D(+).

### STEP 6.

Replace feed connector cover plate.

## INSTALLING CONNECTORS INSTALLATION DES RACOORDS



## FIELD CUTTING OF TRACK TO LENGTH

The standard length of XTSC6 track is supplied with the conductor ends factory bent to allow for proper connection of fittings. However, the track can easily be field cut to different lengths with a hacksaw or a circular saw intended for cutting aluminum. After cutting, the conductor ends must be bent in the field with the Nordic XTSV 12 bending tool.

### STEP 1

Carefully cut the track to length using a hacksaw or other metal saw. Ensure that the cut is clean and straight.

### STEP 2

Insert the bending tool so that the track conductor fits in the outermost slot at the tip of the bending tool.

### STEP 3

Rotate the bending tool 90 degrees upward. Repeat steps 2 and 3 for all four conductors.

### STEP 4

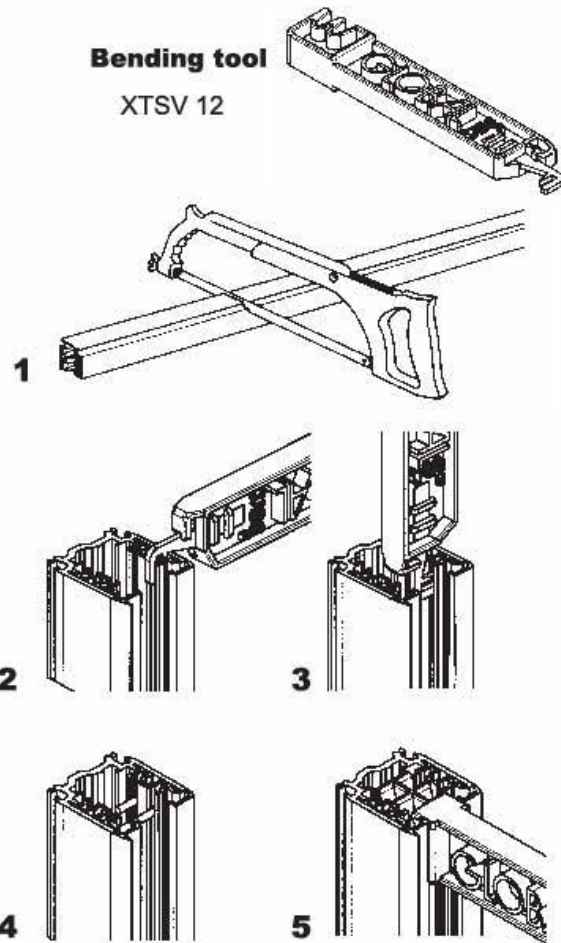
Bent conductors should look similar to the factory finished ends, as shown.

### STEP 5

Confirm correct bending by inserting the opposite end of the tool in the end of the track.

### Bending tool

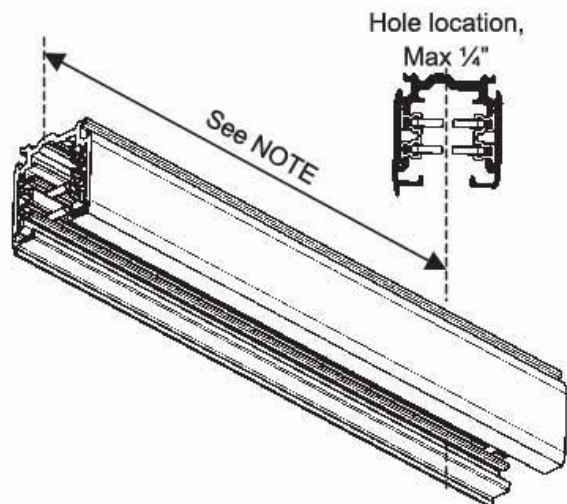
XTSV 12



## FIELD DRILLING OF MOUNTING HOLES

If track is field cut, it may become necessary to drill new mounting holes. If so, use one of the off-cut pieces with existing mounting hole as a template for new hole to be drilled. The drill bit should be no larger than  $\frac{1}{4}$  inch in diameter. The hole should be centered in the groove in the bottom of the track. Remove burrs after drilling. Hole location should be in accordance with the note below.

NOTE: A single section of the track that is 4 feet or less in length must have one mounting opening spaced a **maximum of 6 inches** from each end of the track section. Additional openings may be provided. A single section of the track that is greater than 4 feet in length is to be provided with mounting openings spaced a maximum of 12 inches from each end of the track section with additional openings provided a minimum of every 4 feet along the length of the track section.



## WARNING

### NORDIC ALUMINIUM LIGHTING TRACK SYSTEMS

**DO NOT** solder connectors as this will prohibit the adapters circuit switch to move freely from circuit to circuit.

Nordic Aluminium track adapters and accessories are made of strong polycarbonate material.

To clean, use only a damp cloth.

**DO NOT** expose to any lubricants, solvents or cleaning solutions, as they may impair the strength of the product.

Also, when changing the location of a fixture/adaptor **DO NOT** slide the adapter down the track as it will damage the connectors and cause faulty lighting. Fixture must be taken out of track and placed to its desired location.

#### AVERTISSEMENT – NORDIC ALUMINIUM SYSTEME SUR RAIL

Il est interdit d'utiliser tout sorte de solvant, colle, graisse, huile ou nettoyant etc... en contact avec les adaptateurs de Nordic Aluminium ou autre composant de l'éclairage sur rail. Ces matériaux étrangers peuvent causer des fissurations et/ou des dommages aux composants pour lesquels Nordic Aluminium ne sera pas tenu pour responsable.

LEDRA BRANDS GEOX 0-10V BY:

**NORDIC**  **ALUMINIUM**  
● LIVAL GROUP