

PROJECT INFORMATION			
JOB NAME		TYPE	
ORDERING CODE			

GX25

3.5" Spot / Pendant / Surface



FEATURES

- 3.5" round cylinder
- 2380 lm
- 90+ CRI
- Track, canopy, surface or pendant mount
- Black or white matte finish

MOUNTING

- ECO track / HALO® Power Trac Track, Juno® track, and Lightolier®
- Monopoint with field cuttable stem
- Surface mount or field adjustable flexible cord pendant mounting option
- ECOH or ECOJ pendant mount option

ELECTRICAL/CONTROLS

- 120Vac, 50-60Hz input, 26W
- Phase dimmable
- Leading and trailing edge (Triac/ELV) dimming to 5%
- 350° rotation, 90° tilt

LISTING

- ETLus Listed to UL1574 (track suitable for dry locations only)
- cETL Listed to CSA C22.2 #9.0

LED INFO

- LED: Luminus CXM-14
- SDCM: 3-step MacAdam Ellipse
- Lumen Maintenance: L₇₀ > 55,000 hrs

ORDERING CODE

SERIES	GX25		
DELIVERED LUMENS	25LM	2380 lm	
	Calculated Delivered Lumens = [Delivered Lumen Value] x [CCT Multiplier]		
CCT & LM MULTIPLIER	27K	2700K	(0.97)
	30K	3000K	(1.00)
	35K	3500K	(1.02)
CRI	90	90 CRI	
OPTIC & LM MULTIPLIER	25D	25 degrees	(0.98)
	35D	35 degrees	(1.00)
	60D	60 degrees	(1.00)
VOLTAGE	120	120V	
DIMMING	ELV	leading and trailing edge (Triac/ELV) dimming to 5%	
MOUNTING OPTIONS	P	pendant, 120" flexible cord	
	MP	monopoint canopy	
	S	surface mount	
	LGTR ¹	Lightolier spot - single circuit	
	ECOH	ECOH/HALO spot - single circuit	
	ECOJ ¹	ECOJ/JUNO spot - single circuit	
	ECOHP	ECOH/HALO pendant, 120" flexible cord	
	ECOJPX	ECOJ/JUNO pendant - single circuit, 120" flexible cord	
FINISH	BK	black	
	WH	white	
ACCESSORIES	See the last page for details.		

Follow the steps to specify your fixture, example:
GX25 - 25LM - 30K - 90 - 35D - 120 - ELV - ECOH - BK

NOTES

1. Adaptor designed with adjustable conductor for 2 circuit (J and L Type) tracks.

PROJECT INFORMATION

JOB NAME		TYPE	
ORDERING CODE			

PHOTOMETRIC DATA

25LM CCT MULTIPLIERS	
	90CRI
2700K	0.97
3000K	1.00
3500K	1.02
FC Formula = CBCP / Distance ²	

25D 26.5° NO ACCESSORY	
Throw Distance (ft)	Beam Diameter (ft)
6	2.8
8	3.8
10	4.7
12	5.7
14	6.6
Illuminance at Center (fc)	
230	
129	
83	
57	
42	
WATTS: 25.6	LPW: 93.8
LUMENS: 2402	CCT: 3000K
INTENSITY	
DEGREE	CANDELA
0	8262
5	7176
15	3407
25	748
35	277
45	148

35D 35.0° NO ACCESSORY	
Throw Distance (ft)	Beam Diameter (ft)
6	3.8
8	5
10	6.3
12	7.6
14	8.8
Illuminance at Center (fc)	
153	
86	
55	
38	
28	
WATTS: 25.6	LPW: 96.1
LUMENS: 2459	CCT: 3000K
INTENSITY	
DEGREE	CANDELA
0	5513
5	5178
15	3323
25	1291
35	361
45	138

60D 58.2° NO ACCESSORY	
Throw Distance (ft)	Beam Diameter (ft)
6	6.7
8	8.9
10	11.1
12	13.4
14	15.6
Illuminance at Center (fc)	
64	
36	
23	
16	
12	
WATTS: 25.6	LPW: 95.7
LUMENS: 2449	CCT: 3000K
INTENSITY	
DEGREE	CANDELA
0	2304
5	2254
15	1941
25	1410
35	802
45	392

25LM CCT MULTIPLIERS	
	90CRI
2700K	0.97
3000K	1.00
3500K	1.02
FC Formula = CBCP / Distance ²	

25D 26.5° SNOOT-BK	
Throw Distance (ft)	Beam Diameter (ft)
6	2.8
8	3.8
10	4.7
12	5.7
14	6.6
Illuminance at Center (fc)	
225	
127	
81	
56	
41	
WATTS: 25.6	LPW: 82.1
LUMENS: 2103	CCT: 3000K
INTENSITY	
DEGREE	CANDELA
0	8114
5	7088
15	3391
25	719
35	212
45	53

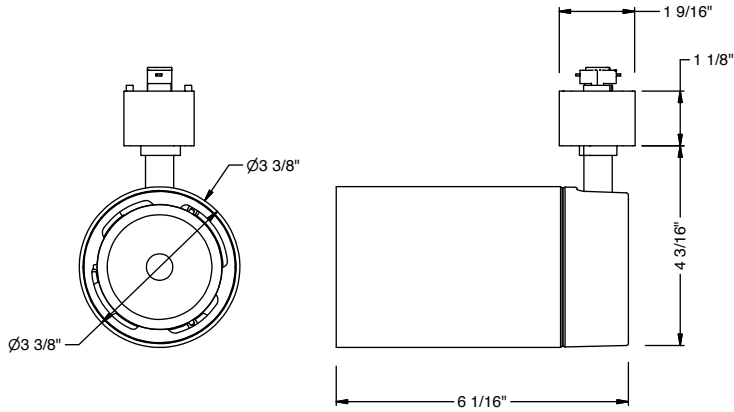
35D 34.9° SNOOT-BK	
Throw Distance (ft)	Beam Diameter (ft)
6	3.8
8	5
10	6.3
12	7.6
14	8.8
Illuminance at Center (fc)	
153	
86	
55	
38	
28	
WATTS: 25.6	LPW: 82.5
LUMENS: 2113	CCT: 3000K
INTENSITY	
DEGREE	CANDELA
0	5496
5	5167
15	3309
25	1197
35	207
45	41

60D 54.6° SNOOT-BK	
Throw Distance (ft)	Beam Diameter (ft)
6	6.2
8	8.3
10	10.3
12	12.4
14	14.5
Illuminance at Center (fc)	
64	
36	
23	
16	
12	
WATTS: 25.6	LPW: 68.5
LUMENS: 1754	CCT: 3000K
INTENSITY	
DEGREE	CANDELA
0	2296
5	2247
15	1933
25	1350
35	502
45	81

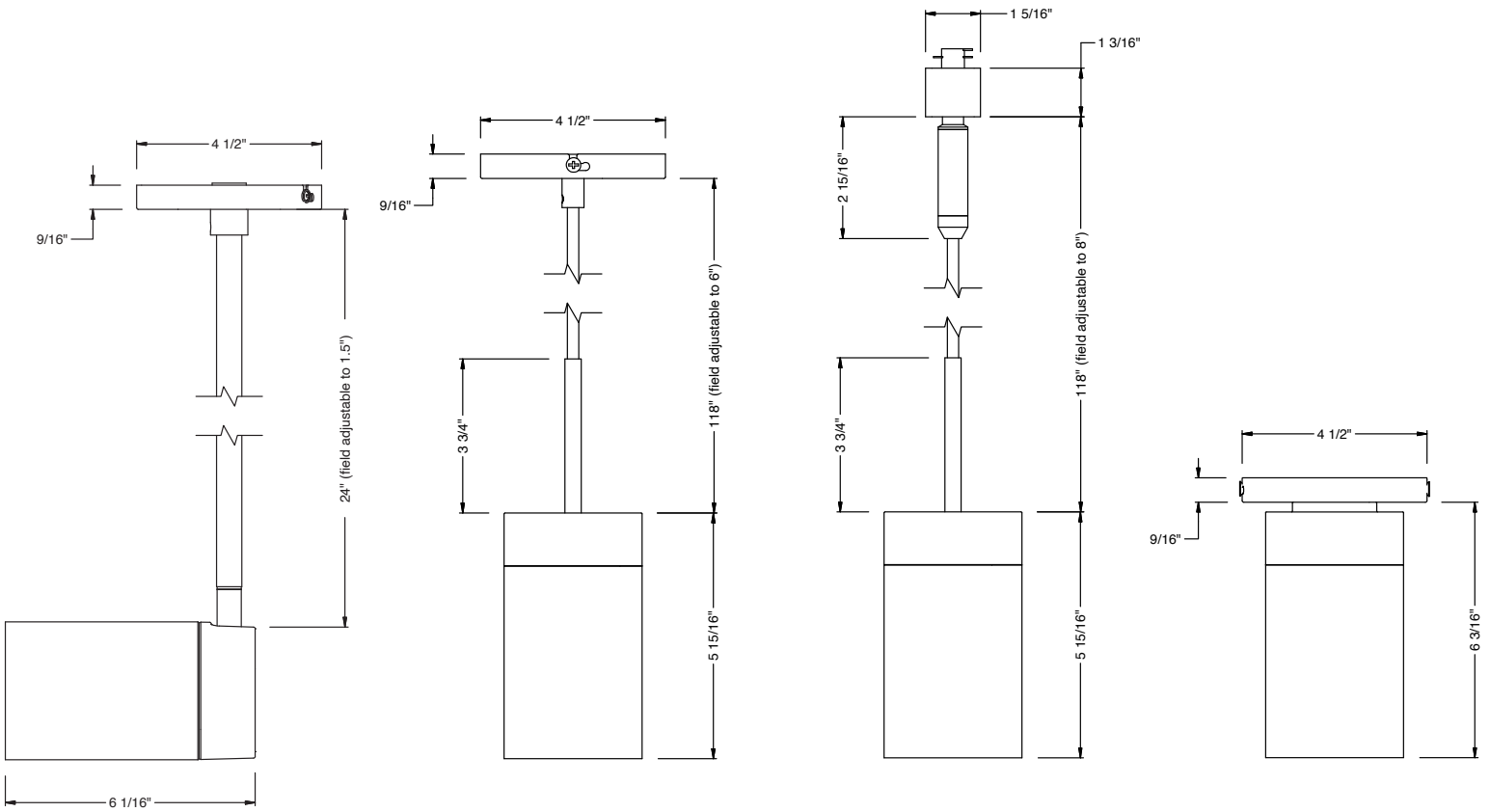
PROJECT INFORMATION

JOB NAME		TYPE	
ORDERING CODE			

MOUNTING OPTIONS



ECOH / ECOJ / LGTR

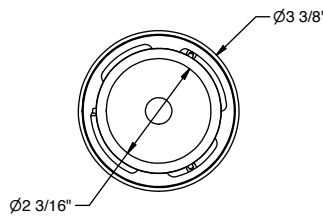


MONOPOINT

PENDANT

ECOHP / ECOJP

SURFACE MOUNT



PROJECT INFORMATION			
JOB NAME		TYPE	
ORDERING CODE			

ACCESSORIES

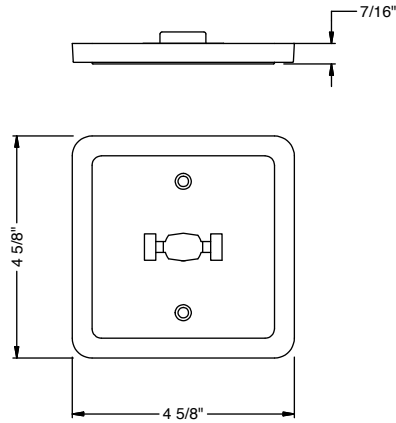
Follow the steps to specify your fixture, example:

GX25 - 25LM - 30K - 90 - 35D - 120 - ELV - ECOH - BK - SNOOTBK

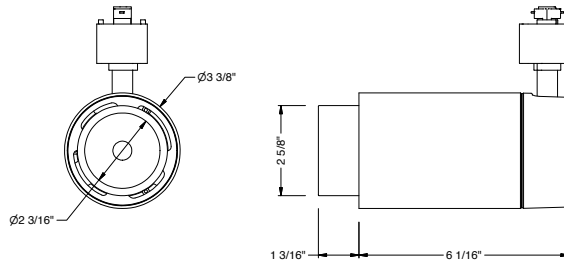
Accessories

- GX25-SNOOT-BK snoot, black
- GX25-SNOOT-WH snoot, white
- GX25-HCL-BK honeycomb louver, black
- GX25-HCL-WH honeycomb louver, white
- K20272/ECOMPBK eco canopy, black
- K20272/ECOMPWH eco canopy, white

NOTE: Omit GX25 from code when requesting accessory with fixture.
 Fixture will only accept one accessory at a time.



SNOOT



HONEYCOMB LOUVER

