

PROJECT INFORMATION			
JOB NAME		TYPE	
ORDERING CODE			

GX35

Cylinder Fixture Multi-Mount



DESCRIPTION

GX35 is a cylinder fixture with multiple mounting applications with 3450lm at 90+ CRI. The GX35 can be specified as a track spot, canopy spot, surface mount cylinder or a pendant. It features optional lens and glare reduction accessories. It is offered in black or white matte finish.

HOUSING

- Extruded aluminum housing with black or white finish.

MOUNTING

- ECO track / Halo® Power Trac track, Juno® track, and Lightolier®
- Monopoint with field cuttable stem
- Surface mount or field adjustable flexible cord pendant mounting option
- ECO pendant or GEO pendant mounting option

ELECTRICAL/CONTROLS

- 120Vac, 50-60Hz input, 35W
- Phase dimmable
- Leading and trailing edge (Triac/ELV) dimming to 5%
- 350° rotation, 90° tilt

LED INFO

- LED: Luminus CXM-18
- SDCM: 3-step MacAdam Ellipse
- Lumen Maintenance: $L_{70} > 60,500$ hrs

LISTINGS

- ETLus Listed to UL1574 (track suitable for dry locations only)
- cETL Listed to CSA C22.2 #9.0

ORDERING CODE

PART NUMBER	350442	
DELIVERED LUMENS	40LM	3450 lm <small>Calculated Delivered Lumens = [Delivered Lumen Value] x [CCT Multiplier]</small>
CCT & LM MULTIPLIER	30K 35K	3000K (1.00) 3500K (1.02)
CRI	90	90 CRI
OPTICS & LM MULTIPLIER	25 38 50	25° (1.13) 38° (1.14) 50° (1.00)
VOLTAGE	120	120V
DIMMING	ELV	leading and trailing edge (Triac/ELV) dimming to 5%
FINISH	WH BK	white black
MOUNTING OPTIONS	ECOBK ECO/HALO black ECOWH ECO/HALO white JUNOBK JUNO, black JUNOWH JUNO, white LGTRBK LIGHTOLIER, black LGTRWH LIGHTOLIER, white SMBK surface mount, black SMWH surface mount, white PBK pendant, black PWH pendant, white MPBK monopoint with field cuttable stem, black MPWH monopoint with field cuttable stem, white ECOPWH ECO pendant, white ECOPBK ECO pendant, black GEOPWH GEO pendant, white GEOPBK GEO pendant, black <small>Mounting finish must match fixture finish.</small>	
ACCESSORIES	See page 3 for details.	

ORDERING CODE

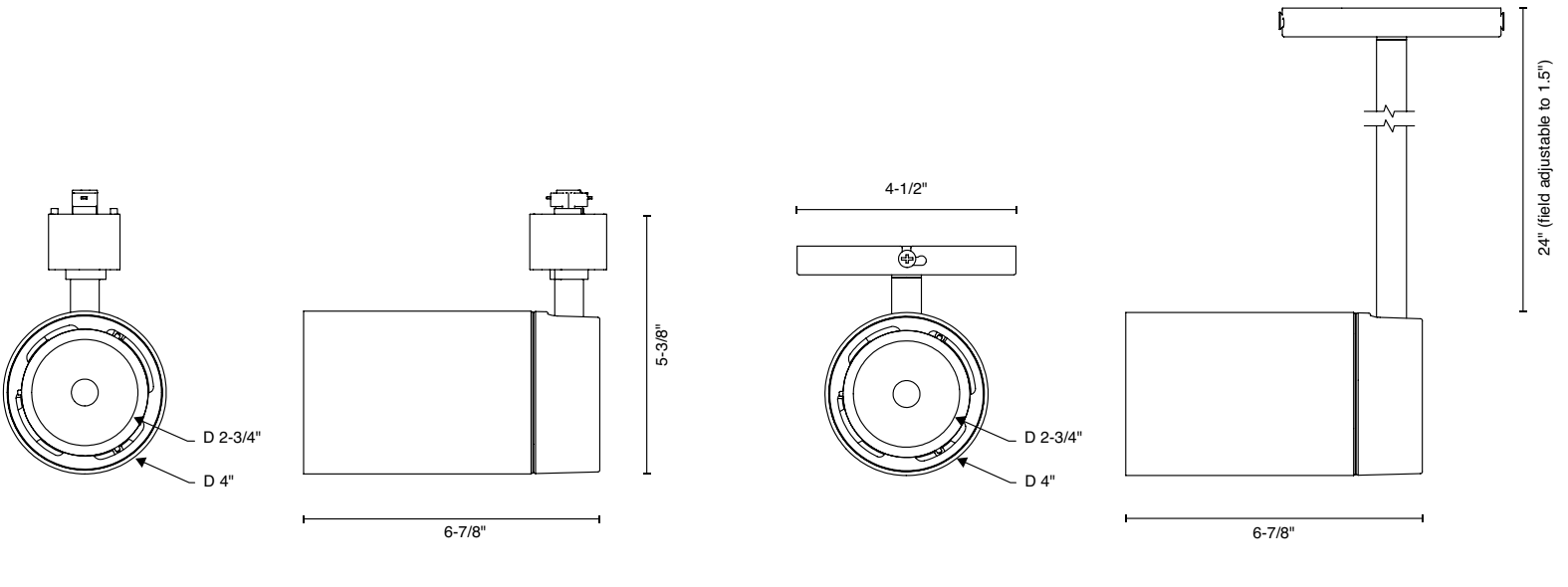
Follow the steps to specify your fixture, example:

350442 - 40LM - 30K - 90 - 50 - 120 - ELV - WH - ECOWH

PROJECT INFORMATION

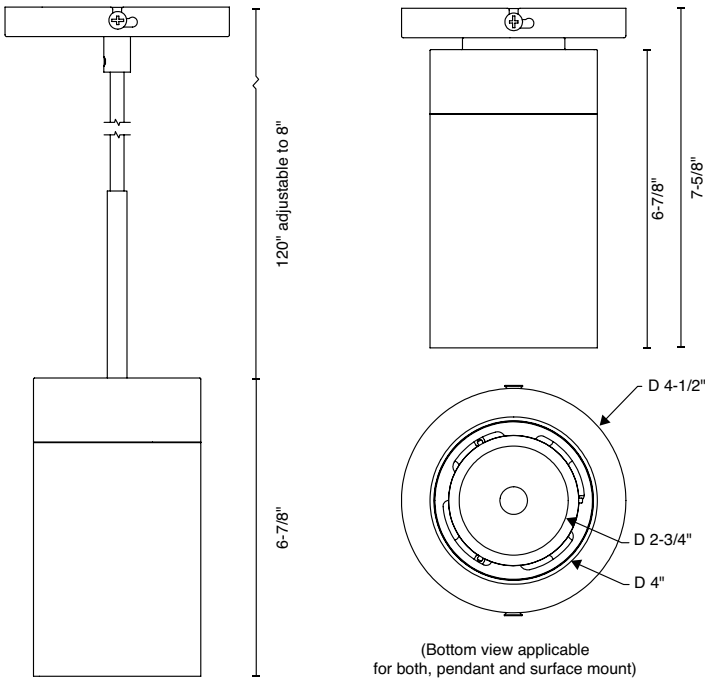
JOB NAME		TYPE	
ORDERING CODE			

MOUNTING OPTIONS



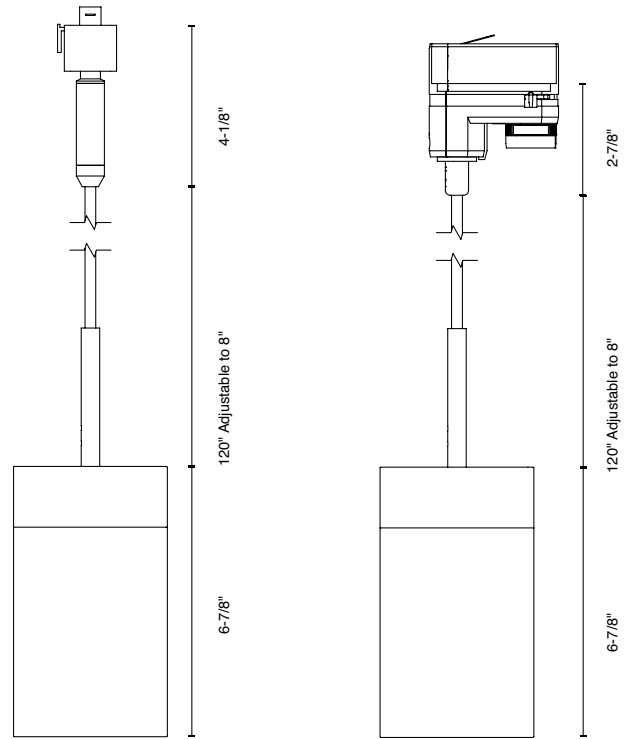
ECO/HALO®/JUNO®/LIGHTOLIER® MOUNT

MONOPOINT MOUNT



PENDANT MOUNT

SURFACE MOUNT



ECO PENDANT

GEO PENDANT

PROJECT INFORMATION			
JOB NAME		TYPE	
ORDERING CODE			

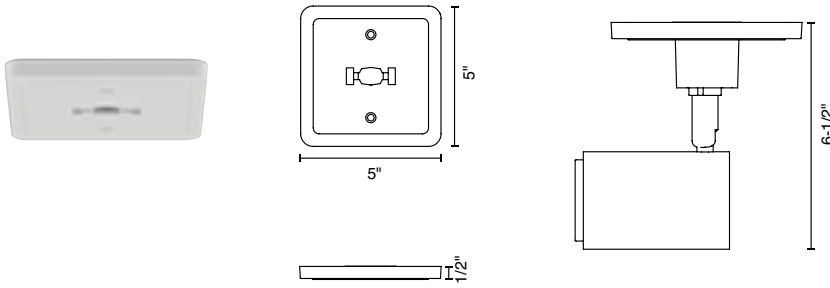
ACCESSORIES

Follow the steps to specify your fixture, example:
 350442 - 40LM - 30K - 90 - 50 - 120 - ELV - WH - ECOWH - 350442/SNOOTBK

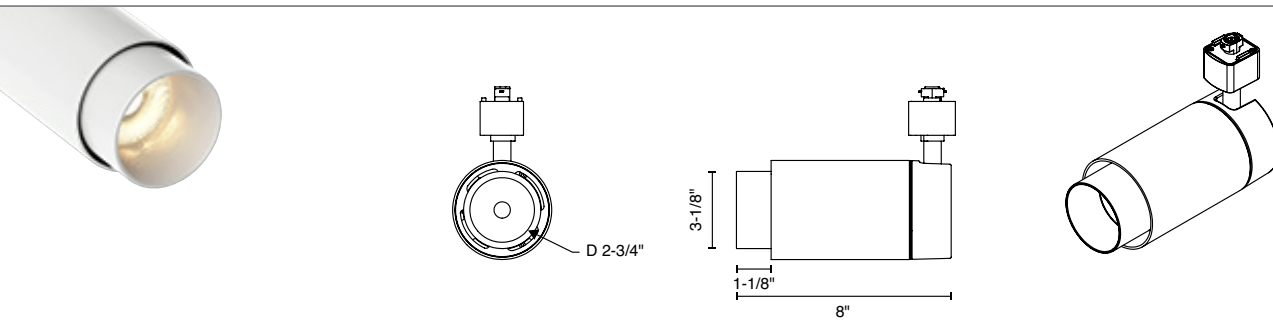
Accessories

- 350442/SNOOTBK snoot, black
- 350442/SNOOTWH snoot, white
- 350442/HCLBK honeycomb louver, black
- 350442/HCLWH honeycomb louver, white
- K20272/ECOMPBK ECO canopy, black
- K20272/ECOMPWH ECO canopy, white

ECO CANOPY ACCESSORIES



SNOOT



HONEYCOMB LOUVER

