

## GX35

4" Spot / Pendant / Surface



### FEATURES

- 4" round cylinder
- 3450 lm
- 90+ CRI
- Track, canopy, surface or pendant mount
- Black or white matte finish

### MOUNTING

- ECO track / HALO® Power Trac Track, Juno® track, and Lightolier®
- Monopoint with field cuttable stem
- Surface mount or field adjustable flexible cord pendant mounting option
- ECOH or ECOJ pendant mount option

### ELECTRICAL/CONTROLS

- 120Vac, 50-60Hz input, 26W
- Phase dimmable
- Leading and trailing edge (Triac/ELV) dimming to 5%
- 350° rotation, 90° tilt

### LISTING

- ETLus Listed to UL1574 (track suitable for dry locations only)
- cETL Listed to CSA C22.2 #9.0

### LED INFO

- LED: Luminus CXM-14
- SDCM: 3-step MacAdam Ellipse
- Lumen Maintenance: L<sub>70</sub> > 55,000 hrs

### PROJECT INFORMATION

JOB NAME		TYPE	
ORDERING CODE			

### ORDERING CODE

<b>SERIES</b>	GX35		
<b>DELIVERED LUMENS</b>	35LM	3450 lm	
	Calculated Delivered Lumens = [Delivered Lumen Value] x [CCT Multiplier]		
<b>CCT &amp; LM MULTIPLIER</b>	27K	2700K	(0.97)
	30K	3000K	(1.00)
	35K	3500K	(1.02)
<b>CRI</b>	90	90 CRI	
<b>OPTIC &amp; LM MULTIPLIER</b>	25D	25 degrees	(0.97)
	35D	35 degrees	(1.00)
	50D	50 degrees	(0.87)
<b>VOLTAGE</b>	120	120V	
<b>DIMMING</b>	ELV	leading and trailing edge (Triac/ELV) dimming to 5%	
<b>MOUNTING OPTIONS</b>	P	pendant, 120" flexible cord	
	MP	monopoint canopy	
	S	surface mount	
	LGTR <sup>1</sup>	Lightolier spot - single circuit	
	ECOH	ECOH/HALO spot - single circuit	
	ECOJ <sup>1</sup>	ECOJ/JUNO spot - single circuit	
	ECOHP	ECOH/HALO pendant, 120" flexible cord	
	ECOJP <sup>1</sup>	ECOJ/JUNO pendant - 120" Flexible cord	
<b>FINISH</b>	BK	black	
	WH	white	
<b>ACCESSORIES</b>	See the last page for details.		

Follow the steps to specify your fixture, example:  
**GX35 - 35LM - 30K - 90 - 35D - 120 - ELV - ECOH - BK**

### NOTES

1. Adaptor designed with adjustable conductor for 2 circuit (J and L Type) tracks.

**PROJECT INFORMATION**

JOB NAME		TYPE	
ORDERING CODE			

**PHOTOMETRIC DATA**

35LM CCT MULTIPLIERS	
	90CRI
2700K	0.97
3000K	1.00
3500K	1.02
FC Formula = CBCP / Distance <sup>2</sup>	

25D 24.1° NO ACCESSORY	
Throw Distance (ft)	Beam Diameter (ft)
6	379
8	213
10	137
12	95
14	70
Illuminance at Center (fc)	
WATTS: 39.8	LPW: 83.9
LUMENS: 3338	CCT: 3000K
INTENSITY	
DEGREE	CANDELA
0	13661
5	12252
15	4886
25	1062
35	243
45	138

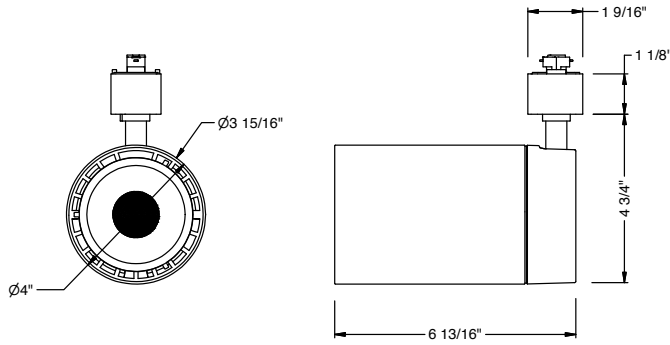
35D 33.8° NO ACCESSORY	
Throw Distance (ft)	Beam Diameter (ft)
6	253
8	143
10	91
12	63
14	47
Illuminance at Center (fc)	
WATTS: 39.8	LPW: 86.5
LUMENS: 3444	CCT: 3000K
INTENSITY	
DEGREE	CANDELA
0	9124
5	8603
15	5341
25	1603
35	286
45	131

50D 49.7° NO ACCESSORY	
Throw Distance (ft)	Beam Diameter (ft)
6	97
8	54
10	35
12	24
14	18
Illuminance at Center (fc)	
WATTS: 39.8	LPW: 75.6
LUMENS: 3008	CCT: 3000K
INTENSITY	
DEGREE	CANDELA
0	3479
5	3361
15	2573
25	1729
35	965
45	409

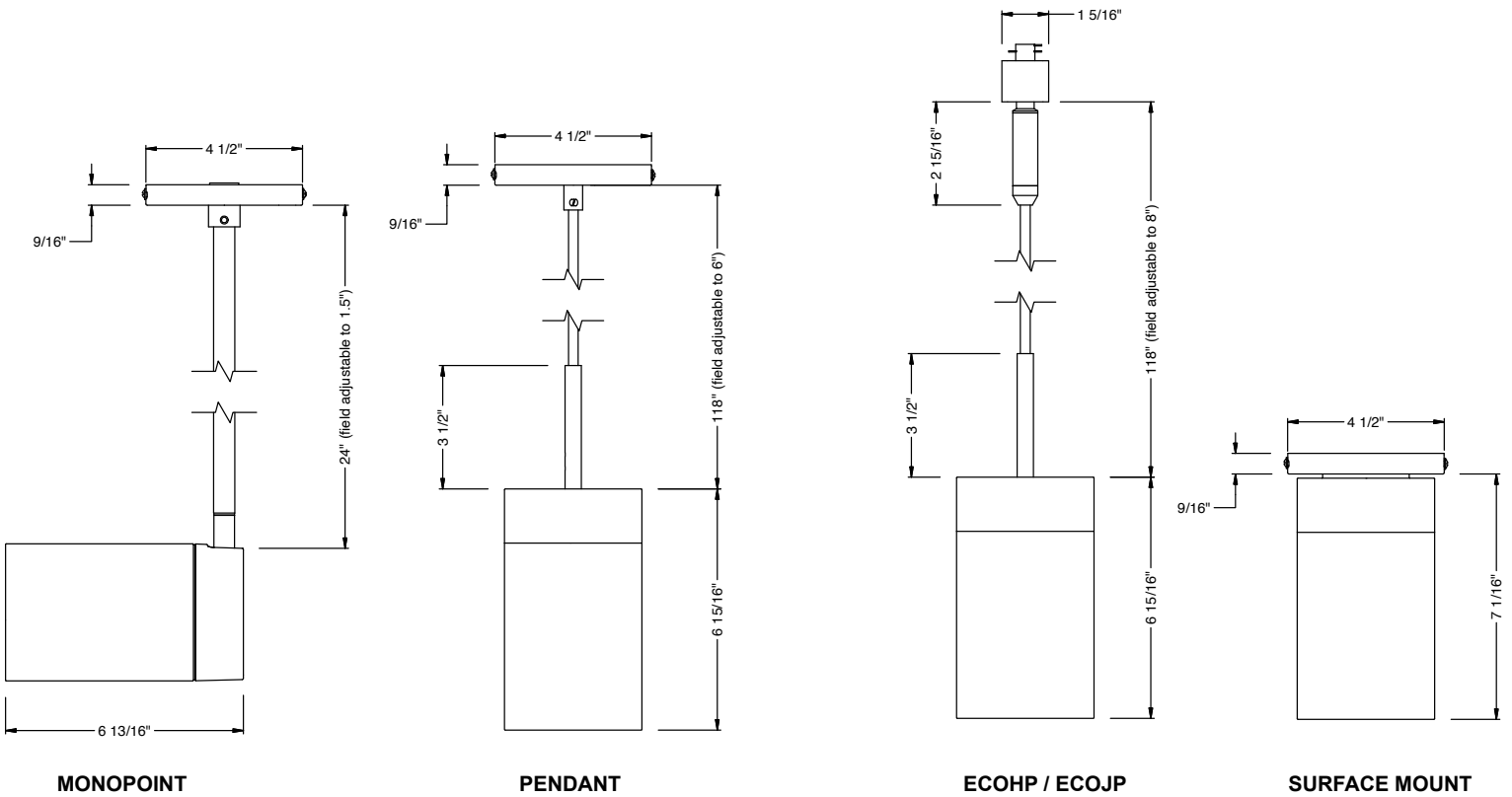
PROJECT INFORMATION

JOB NAME		TYPE	
ORDERING CODE			

MOUNTING OPTIONS



ECOH / ECOJ / LGTR

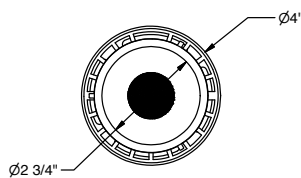


MONOPOINT

PENDANT

ECOHP / ECOJP

SURFACE MOUNT



**PROJECT INFORMATION**

JOB NAME		TYPE	
ORDERING CODE			

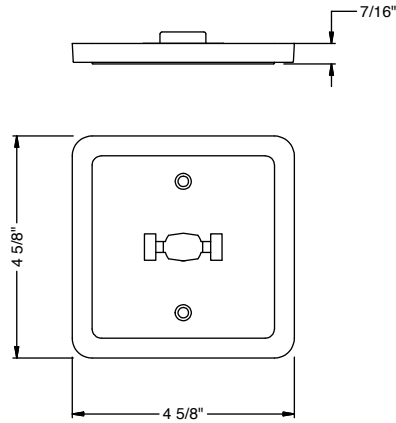
**ACCESSORIES**

Follow the steps to specify your fixture, example:  
**GX35 - 35LM - 30K - 90 - 35D - 120 - ELV - ECOH - BK - SNOOTBK**

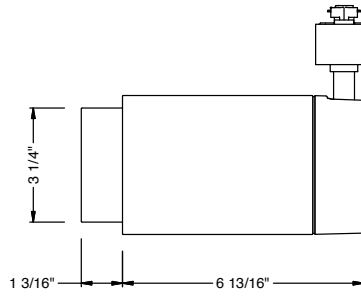
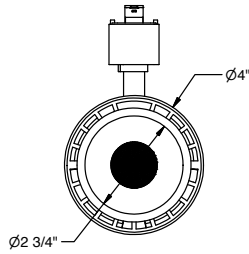
**Accessories**

- GX35-SNOOT-BK**      snoot, black
- GX35-SNOOT-WH**    snoot, white
- GX35-HCL-BK**        honeycomb louver, black
- GX35-HCL-WH**        honeycomb louver, white
- K20272/ECOMPBK**    eco canopy, black
- K20272/ECOMPWH**    eco canopy, white

**NOTE:** 1. Omit GX25 from code when requesting accessory with fixture  
 2. Fixture will only accept one accessory at a time



**SNOOT**



**HONEYCOMB LOUVER**

