

GX8

Track Spot Standard White



FEATURES

Extruded aluminum housing with black or white finish.

MOUNTING

- Juno® track

ELECTRICAL/CONTROLS

- 120Vac, 50-60Hz input, 9.3W
- Phase dimmable
- Leading and trailing edge (Triac/ELV) dimming to 5%
- 350° rotation, 90° tilt

LED INFO

- LED: Cree Xlamp® CXB Series
- SDCM: 3-step MacAdam Ellipse
- Lumen Maintenance: $L_{70} > 60,500$ hrs

LISTINGS

- ETLus Listed to UL1574 (track suitable for dry locations only)
- cETL Listed to CSA C22.2 #9.0

PROJECT INFORMATION

JOB NAME		TYPE	
ORDERING CODE			

ORDERING CODE

PART NUMBER	GX8	
DELIVERED LUMENS	08LM	850 lm <small>Calculated Delivered Lumens = [Delivered Lumen Value] x [CCT Multiplier]</small>
CCT & LM MULTIPLIER	30K	3000K
CRI	90	90+ CRI
OPTICS	35D	35° (1.00)
VOLTAGE	120	120V
DIMMING	ELV	leading and trailing edge (Triac/ELV) dimming to 5%
MOUNTING OPTION	ECOJ	ECOJ/JUNO - track
FINISH	WH BK	white black

ORDERING CODE

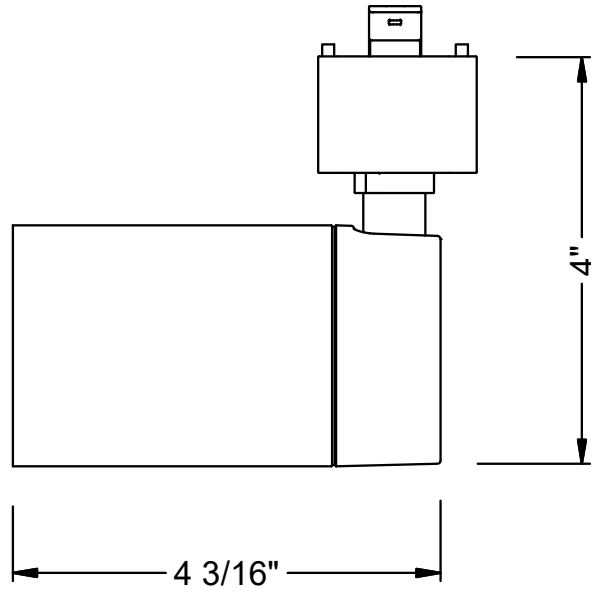
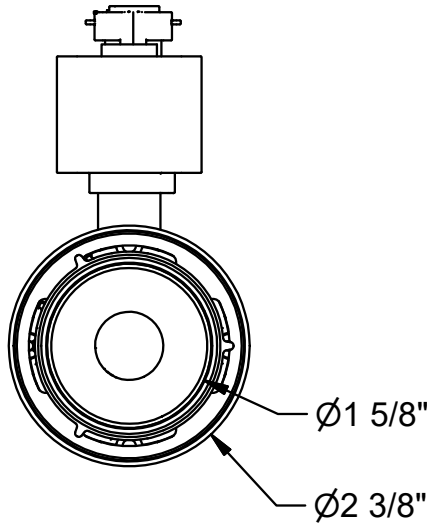
Follow the steps to specify your fixture, example:

GX8 - 08LM - 30K - 90 - 35D - 120 - ELV - ECOJ - WH

PROJECT INFORMATION

JOB NAME		TYPE	
ORDERING CODE			

MOUNTING OPTIONS



**JUNO®
MOUNT**