

LX PRO Bezel Removal and Accessories



**WARNING – PLEASE READ ALL INSTRUCTIONS PRIOR TO INSTALLATION
READ AND FOLLOW ALL WARNINGS AND INSTRUCTIONS BEFORE INSTALLING OR MAINTAINING THIS PRODUCT.
TURN OFF POWER PRIOR TO ANY WORK ON THE SYSTEM OR PRODUCT.
DO NOT INSTALL DAMAGED PRODUCT.**

Installing, wiring, and maintenance must be done by qualified persons or a certified electrician in accordance with all local and National Electrical Codes.

Warranty is voided in case of unauthorized modifications and/or improper use.

Save these instructions. Use as reference when service or maintenance is performed.

CAUTION – For Non – IC fixtures, do not install any fixture assembly closer than 6 inches (15.24cm) from any combustible material (insulation).

Refer to product label for voltage requirements and properly ground fixture in accordance with all local and national electrical codes.

If product supports optional dimming, connect dimming leads to dimming control system (provided by others). Refer to product label for dimming requirements. Isolate dimming wires individually if not in use.

⚠ WARNING ⚠

- To avoid possible electrical shock, before installing light fixtures, disconnect power by turning off the circuit breakers both to the outlet box and to its associated wall switch location. If you cannot lock the circuit breakers in the off position, securely fasten a prominent warning device, such as a tag, to the service panel.
- Verify that supply voltage is correct by comparing it with the luminaire label information.
- Make all electrical and ground connections in the accordance with the National Electrical Code (NEC) and any applicable local code requirements.
- Wait for fixture and driver to cool before servicing and performing maintenance.

⚠ CAUTION ⚠

- All wiring must comply with national and local electrical codes and ANSI/NFPA 70. If you are unfamiliar with wiring, consult a qualified electrician.
- PPE Personal Protective Equipment such as gloves and safety glasses should always be used when installing, maintaining or servicing.
- Risk of fire. Keep combustible material away from fixtures.

⚠ ADVERTENCIA ⚠

- Para evitar un choque eléctrico, antes de instalar luminarias, desconecte la alimentación apagando los interruptores de circuito en el panel de servicio y en las paredes. Si no es posible bloquear los interruptores en la posición de apagado, sujete una etiqueta de seguridad en el panel de servicio.
- Compruebe que la tensión de alimentación es correcta comparándola con la información en la etiqueta de la luminaria.
- Haga todas las conexiones eléctricas y puesta a tierra de acuerdo con el código eléctrico nacional (NEC) y los requisitos del código local aplicable.
- Espere hasta que la luminaria y el controlador se enfríen antes de empezar el servicio y mantenimiento.

⚠ PRECAUCION ⚠

- Todo el cableado debe cumplir con los códigos eléctricos nacionales y locales y ANSI/NFPA 70. Si no está familiarizado con el cableado, consulte a un electricista.
- Al instalar, mantener o reparar, siempre se debe utilizar equipo de protección personal como guantes y lentes de seguridad
- Riesgo de incendio. Mantenga los materiales combustibles lejos de las luminarias.

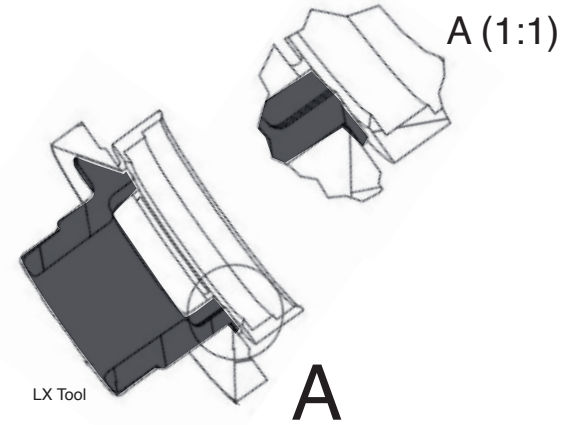
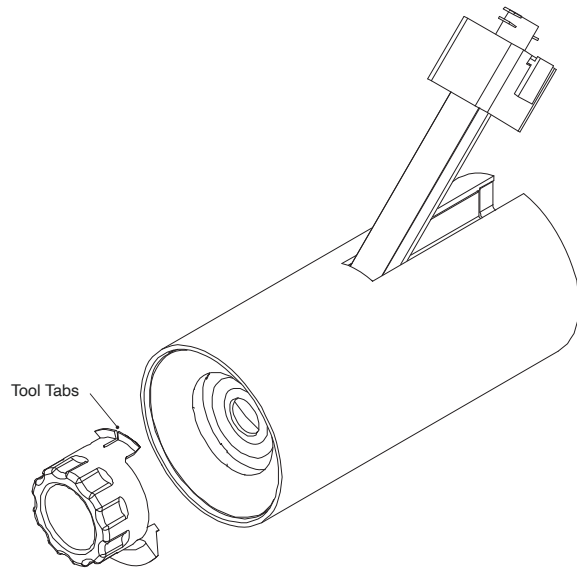
⚠ AVERTISSEMENT ⚠

- Pour éviter les chocs, avant d'installer des appareils d'éclairage, coupez l'alimentation en désactivant les disjoncteurs et l'emplacement du commutateur mural. Si vous ne pouvez pas verrouiller les disjoncteurs en position d'arrêt, fixer un avertissement sur le panneau de service.
- Vérifiez que la tension d'alimentation est correcte en le comparant avec les informations d'étiquette de luminaire.
- Effectuer tous les raccordements électriques et mise à la terre dans la conformité avec le Code électrique National (NEC) et des exigences du code local applicable.
- Laisser suffisamment de temps pour l'appareil et pilote refroidir avant d'effectuer l'entretien et la maintenance.

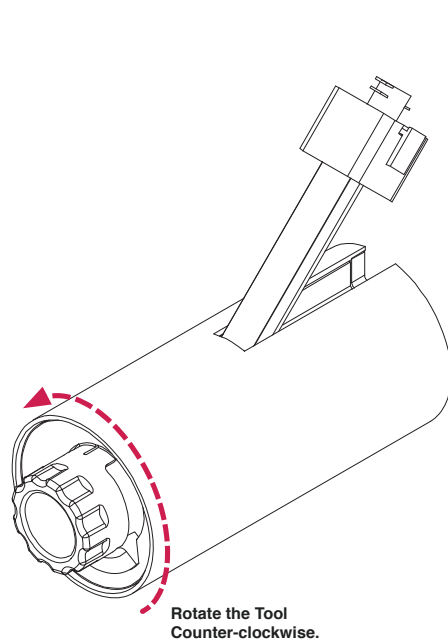
⚠ MIS EN GARDE ⚠

- Tout le câblage doit être effectué conformément aux codes électriques locaux et nationaux et ANSI/NFPA 70. Si vous êtes peu familier avec câblage, vous devez utiliser un électricien qualifié.
- Équipement de protection personnelle comme des gants et des lunettes de sécurité doivent être utilisés en tout temps lors de l'installation, maintenance ou entretien.
- Risque d'incendie. Garder les matières combustibles loin de luminaires.

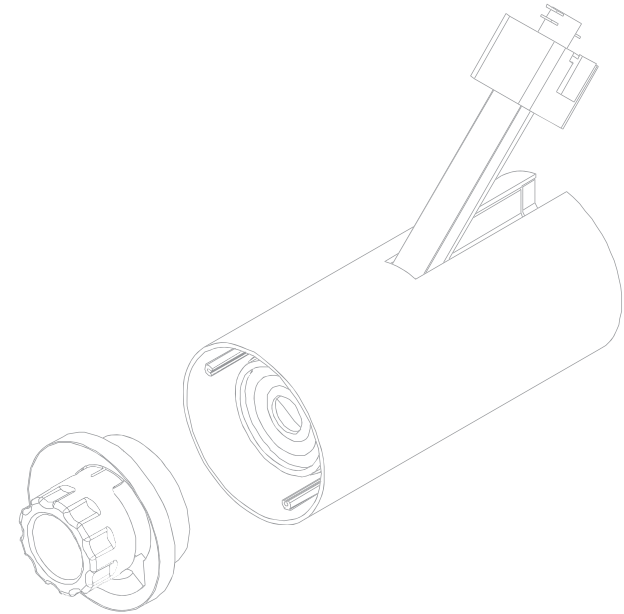
LX BEZEL REMOVAL

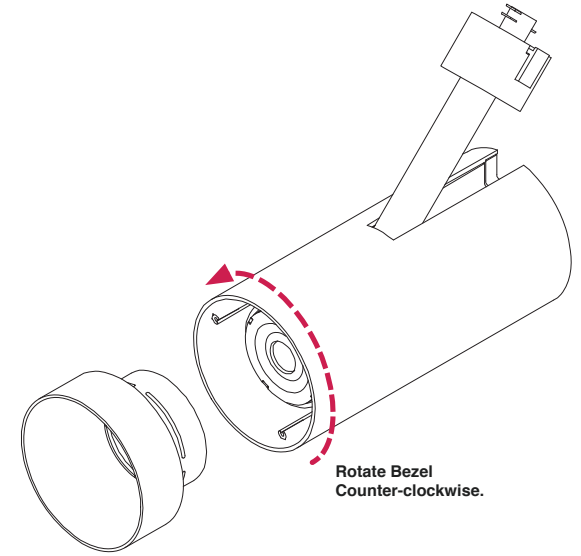
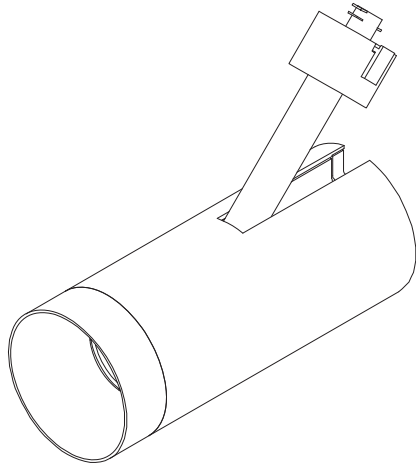


Tool tabs must be first inserted at an angle into slot openings in the bezel. Insert tool fully into LX to ease bezel removal.



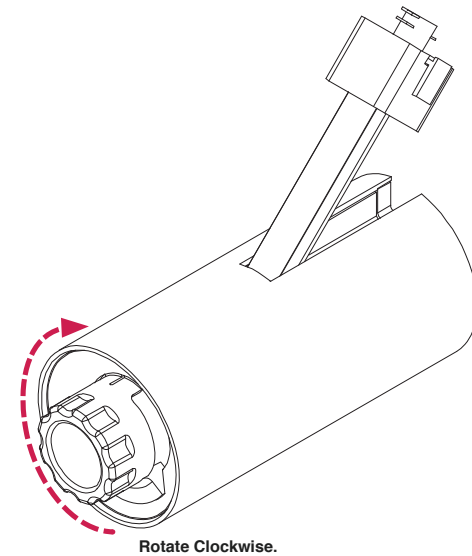
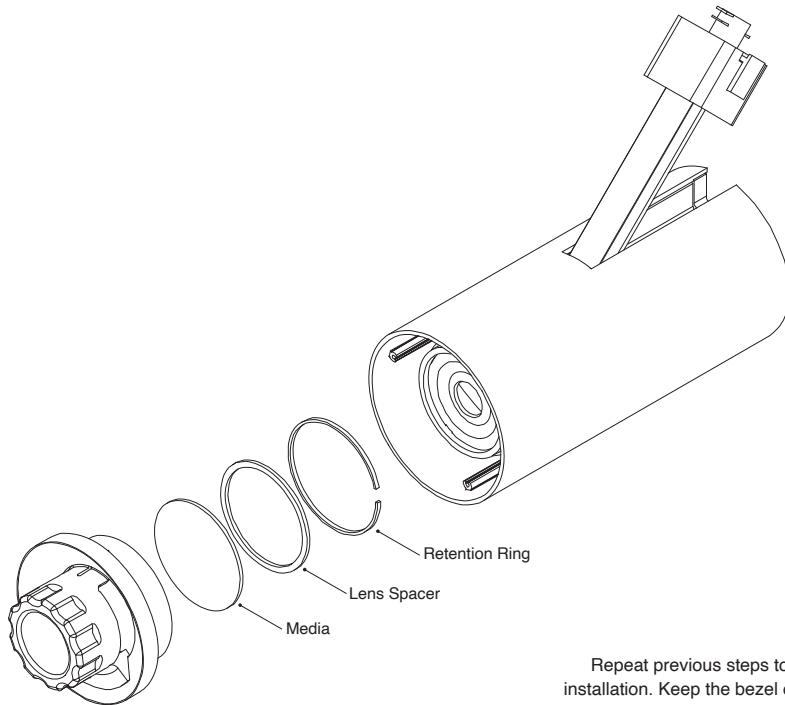
Rotate the tool counter-clockwise to un-thread the bezel. Re-thread the bezel by first rotating counter-clockwise to sit bezel correctly, this will prevent cross threading. Proceed to thread the bezel by rotating clockwise. If resistance is felt, un-thread the bezel and attempt again.





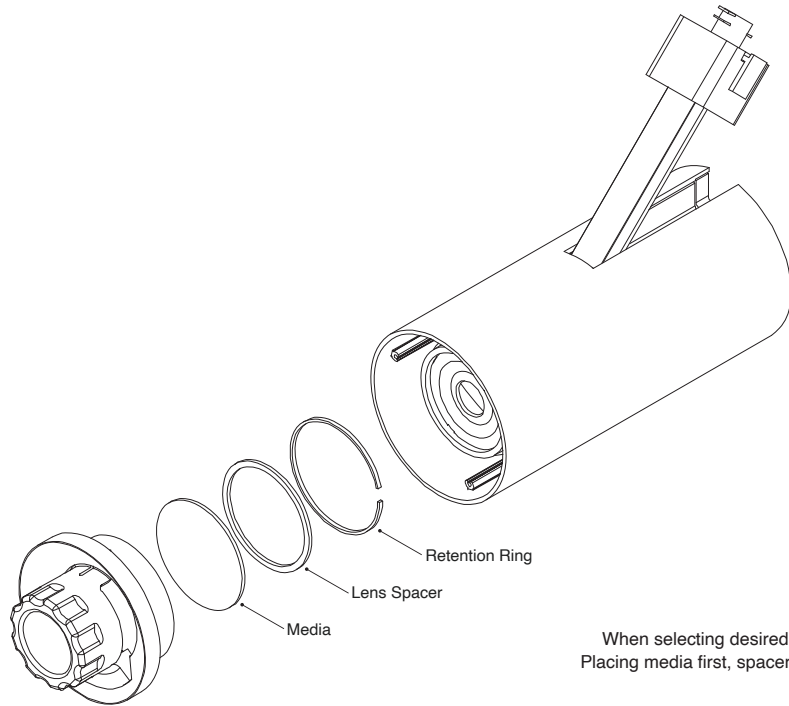
Rotate the bezel counter-clockwise to un-thread the bezel. Re-thread the bezel by first rotating counter-clockwise to sit bezel correctly, this will prevent cross threading. Proceed to thread the bezel by rotating clockwise. If resistance is felt, un-thread the bezel and attempt again.

Rotate Bezel Counter-clockwise.

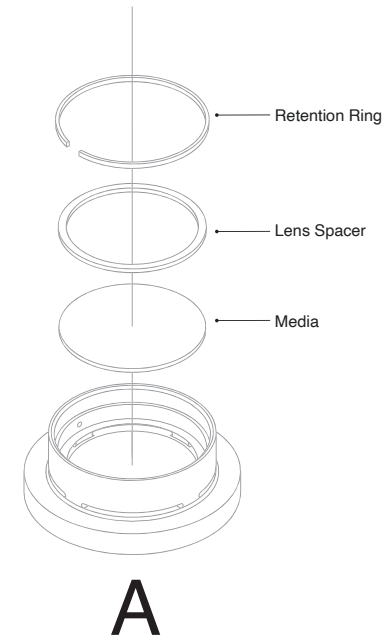






Repeat previous steps to remove bezel. Tilt the fixture downwards to ease installation. Keep the bezel on the tool, place media e.g., honeycomb louver onto bezel and thread onto LX housing. Repeat previous steps to thread bezel.

Rotate Clockwise.



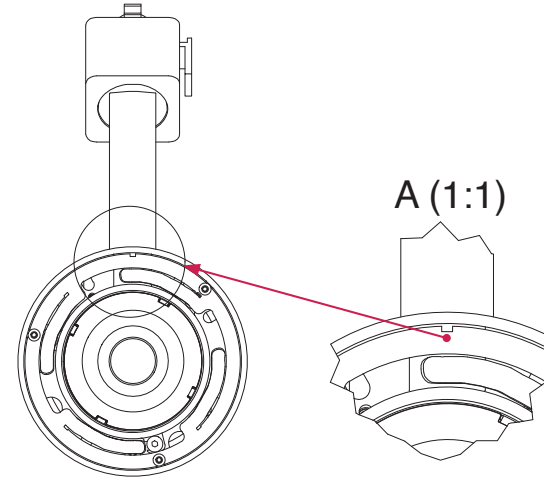
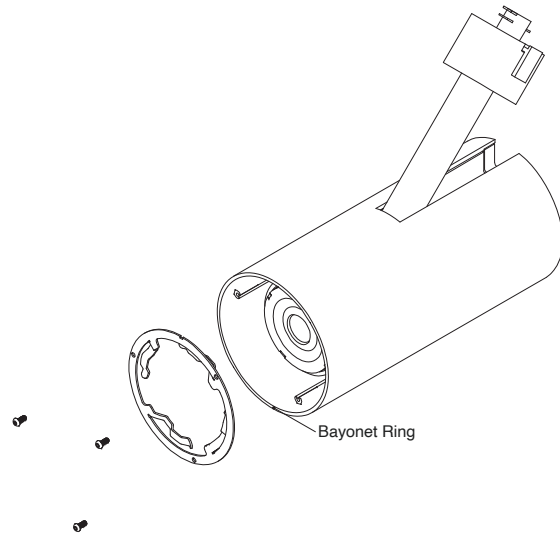
When selecting desired fixture configuration, ensure to follow visual (A).
Placing media first, spacer second and retention ring last locking it into place.



LX PRO LENS GUIDE		
SPACER	MEDIA	
	Thick	No Lens
	Medium	Lens
	Slim	Honey Comb
	None	Honey Comb + Lens

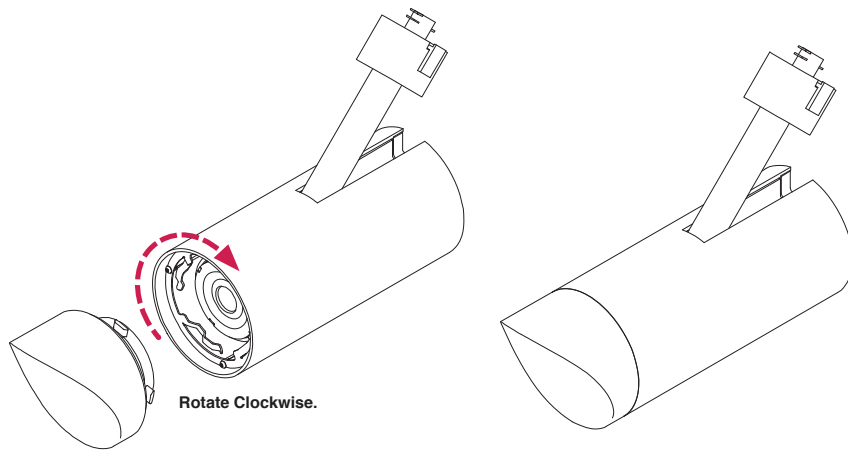


To ensure proper fitment of media use lens guide table for configuration needed.
Lens guide applies to all accessories including barn doors, shroud snoot, and extended snoot.

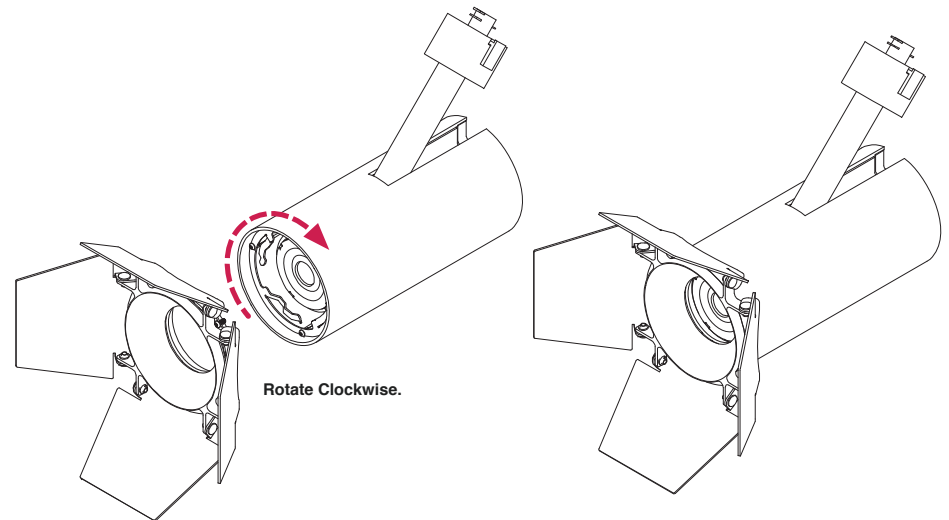


A

To attach shroud snoot and barn doors, tilt the fixture down to place bayonet ring for bezel attachment. Align bayonet notch as shown in visual (A) with the stem of the fixture to ensure correct placement, then fasten the 3 screw until hand tighten. Once seated reference visual (A) for confirmation of placement.



SHROUD SNOOT



BARN DOORS

Rotate the shroud snoot or barn doors clockwise into the bayonet locking the accessory into place