

| PROJECT INFORMATION | | |
|---------------------|--|------|
| JOB NAME | | TYPE |
| ORDERING CODE | | |

LX PRO

MEVO Track Mount Tunable White



| 30° - 50° BEAM (Note: Specifications are subject to change without notice) | | |
|---|---|----------------|
| 18mm LUMINUS COB PERFORMANCE DATA | | |
| LED LIGHT ENGINE | NOMINAL DELIVERED LUMENS | SYSTEM WATTAGE |
| 10LM | 1090LM @35K/95CRI | 16W |
| 15LM | 1590LM @35K/95CRI | 22W |
| NOTES | Delivered lumens based on 50D optic with SBL lens, (see page 2) | |

| 20° - 50° BEAM (Note: Specifications are subject to change without notice) | | |
|---|--|----------------|
| 18mm NICHIA COB PERFORMANCE DATA | | |
| LED LIGHT ENGINE | NOMINAL DELIVERED LUMENS | SYSTEM WATTAGE |
| 10LM | 1050LM @35K/85CRI | 11W |
| 15LM | 1400LM @35K/85CRI | 15W |
| 20LM | 1990LM @35K/85CRI | 22W |
| NOTES | Delivered lumens based on 50D optic with no lens, (see page 2) | |

FEATURES

- Seamless casting with textured finish for clean aesthetics
- Flush stem regression at 0°
- 20° - 50° beam spread
- UGR < 19
- Mounting options include various STUCCHI track systems
- Glare control options, specialty optics, lensing, accessories and custom RAL finishes available

DIMMING AND CONTROLS

- Casambi bluetooth dimming to 0%

CONSTRUCTION

- Casted aluminum housing
- PMMA optics
- SVT pendant cord

LED

- Luminus tunable white COB from 2700K - 6500K: 95 CRI, R9 > 70; SDCM = 4-step MacAdam Ellipse; Lumen Maintenance: L70 > 54,000 hrs
- Nichia tunable white COB from 2700K - 5000K: 80 CRI, R9 > 0; SDCM = 3-step MacAdam Ellipse; Lumen Maintenance: L90 > 33,000 hrs

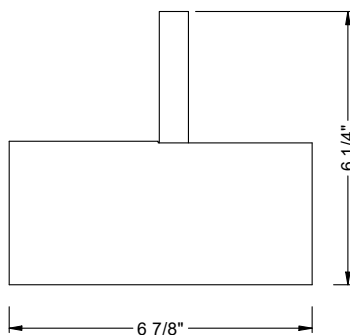
LISTING

- CSAus Listed to UL1574; cCSA Listed to CSA C22.2 #9.0
- Suitable for dry and damp locations
- 5 Year Limited warranty

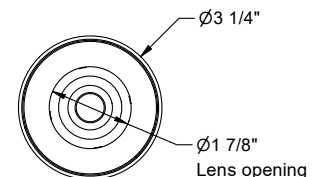
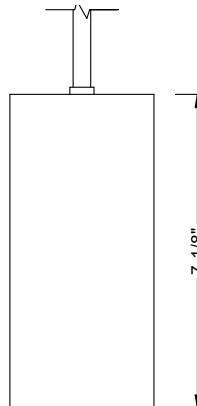
ELECTRICAL

- 48V (Casambi)
- Power factory ≥ 0.9
- 2kV driver input surge protection

SPOT



PENDANT



| PROJECT INFORMATION | | |
|---------------------|--|------|
| JOB NAME | | TYPE |
| ORDERING CODE | | |

| ORDERING CODE | | | | | | | | | | | | | | | | | | | | | | | | | | |
|---|---|--|-------|-------|-------|-------|-------|-------|-------|---------------------------------|---------------------------------|------|------|------|------|------|------|-----------|-----------|------|------|------|------|------|------|------|
| SERIES | LX | LX | | | | | | | | | | | | | | | | | | | | | | | | |
| TYPE | PRO | performance cylinder | | | | | | | | | | | | | | | | | | | | | | | | |
| LED | TW | tunable white (Luminus) | | | | | | | | | | | | | | | | | | | | | | | | |
| DELIVERED LUMENS | 10LM | 1090 lm | | | | | | | | | | | | | | | | | | | | | | | | |
| | 15LM | 1590 lm | | | | | | | | | | | | | | | | | | | | | | | | |
| Standard Configuration: 3500K 50D SBL Calculated Delivered Lumens = [Delivered Lumen Value] x [Optic Multiplier] x [Lens Multiplier] | | | | | | | | | | | | | | | | | | | | | | | | | | |
| CCT | 2765 | 2700K to 6500K tunable white | | | | | | | | | | | | | | | | | | | | | | | | |
| | | <table border="1"> <thead> <tr> <th>CCT</th> <th>2700K</th> <th>3000K</th> <th>3500K</th> <th>4000K</th> <th>5000K</th> <th>5700K</th> <th>6500K</th> </tr> </thead> <tbody> <tr> <td>CCT MULTIPLIER FOR LUMEN OUTPUT</td> <td>0.91</td> <td>0.98</td> <td>1.00</td> <td>0.99</td> <td>1.00</td> <td>1.01</td> <td>1.02</td> </tr> <tr> <td>EML RATIO</td> <td>0.49</td> <td>0.57</td> <td>0.68</td> <td>0.79</td> <td>0.96</td> <td>1.04</td> <td>1.12</td> </tr> </tbody> </table> | CCT | 2700K | 3000K | 3500K | 4000K | 5000K | 5700K | 6500K | CCT MULTIPLIER FOR LUMEN OUTPUT | 0.91 | 0.98 | 1.00 | 0.99 | 1.00 | 1.01 | 1.02 | EML RATIO | 0.49 | 0.57 | 0.68 | 0.79 | 0.96 | 1.04 | 1.12 |
| | | CCT | 2700K | 3000K | 3500K | 4000K | 5000K | 5700K | 6500K | | | | | | | | | | | | | | | | | |
| | | CCT MULTIPLIER FOR LUMEN OUTPUT | 0.91 | 0.98 | 1.00 | 0.99 | 1.00 | 1.01 | 1.02 | | | | | | | | | | | | | | | | | |
| EML RATIO | 0.49 | 0.57 | 0.68 | 0.79 | 0.96 | 1.04 | 1.12 | | | | | | | | | | | | | | | | | | | |
| 1840 | 1800K to 4000K tunable white | | | | | | | | | | | | | | | | | | | | | | | | | |
| | <table border="1"> <thead> <tr> <th>CCT</th> <th>1800K</th> <th>2000K</th> <th>2400K</th> <th>2700K</th> <th>3000K</th> <th>3500K</th> <th>4000K</th> </tr> </thead> <tbody> <tr> <td>CCT MULTIPLIER FOR LUMEN OUTPUT</td> <td>0.67</td> <td>0.74</td> <td>0.8</td> <td>0.85</td> <td>0.88</td> <td>0.95</td> <td>1.01</td> </tr> <tr> <td>EML RATIO</td> <td>0.21</td> <td>0.33</td> <td>0.46</td> <td>0.53</td> <td>0.59</td> <td>0.67</td> <td>0.73</td> </tr> </tbody> </table> | CCT | 1800K | 2000K | 2400K | 2700K | 3000K | 3500K | 4000K | CCT MULTIPLIER FOR LUMEN OUTPUT | 0.67 | 0.74 | 0.8 | 0.85 | 0.88 | 0.95 | 1.01 | EML RATIO | 0.21 | 0.33 | 0.46 | 0.53 | 0.59 | 0.67 | 0.73 | |
| | CCT | 1800K | 2000K | 2400K | 2700K | 3000K | 3500K | 4000K | | | | | | | | | | | | | | | | | | |
| | CCT MULTIPLIER FOR LUMEN OUTPUT | 0.67 | 0.74 | 0.8 | 0.85 | 0.88 | 0.95 | 1.01 | | | | | | | | | | | | | | | | | | |
| EML RATIO | 0.21 | 0.33 | 0.46 | 0.53 | 0.59 | 0.67 | 0.73 | | | | | | | | | | | | | | | | | | | |
| CRI | 95 | 95 typical, 90 minimum | | | | | | | | | | | | | | | | | | | | | | | | |
| OPTIC & LM MULTIPLIER SEE PAGE 6, 7 | 30D | 30 degrees (0.94) | | | | | | | | | | | | | | | | | | | | | | | | |
| | 35D | 35 degrees (0.88) | | | | | | | | | | | | | | | | | | | | | | | | |
| | 50D | 50 degrees (1.00) | | | | | | | | | | | | | | | | | | | | | | | | |
| LENS SEE PAGE 4 | DL | diffused lens (0.95) | | | | | | | | | | | | | | | | | | | | | | | | |
| | HET | high efficiency textured lens, similar to Solite™ (0.99) | | | | | | | | | | | | | | | | | | | | | | | | |
| | SBL | smoothing beam lens (1.00) | | | | | | | | | | | | | | | | | | | | | | | | |
| | HCL | honeycomb louver (0.81) | | | | | | | | | | | | | | | | | | | | | | | | |
| | E | elliptical lens, 30° X 60° (0.94) | | | | | | | | | | | | | | | | | | | | | | | | |
| | AB | asymmetric beam lens (0.92) | | | | | | | | | | | | | | | | | | | | | | | | |
| | BW | batwing lens (0.80) | | | | | | | | | | | | | | | | | | | | | | | | |
| Maximum 2pcs of media per fixture. | | | | | | | | | | | | | | | | | | | | | | | | | | |
| ACCESSORY SEE PAGE 6 | NA | no accessory | | | | | | | | | | | | | | | | | | | | | | | | |
| | BD¹ | barndoor, black | | | | | | | | | | | | | | | | | | | | | | | | |
| | SNT | snoot | | | | | | | | | | | | | | | | | | | | | | | | |
| | SHNT | shroud snoot | | | | | | | | | | | | | | | | | | | | | | | | |
| FINISH SEE PAGE 4 | BK | black | | | | | | | | | | | | | | | | | | | | | | | | |
| | WH | white | | | | | | | | | | | | | | | | | | | | | | | | |
| | CC² | custom color, consult factory for details | | | | | | | | | | | | | | | | | | | | | | | | |
| When choosing CC option, adaptor finish (BK, WH) must be specified. Example: MEVOBK | | | | | | | | | | | | | | | | | | | | | | | | | | |

| ORDERING CODE | | |
|--|---------------|--|
| MOUNTING OPTIONS SEE PAGE 7, 8 | MEVO | 48V stucchi multisystem track spot |
| | MEVOF | 48V stucchi multisystem fixed track spot |
| | MEVOPX | 48V stucchi multisystem track pendant, X = desired cable length from 6" to 72" |
| VOLTAGE | 48 | 48V |
| DIMMING | CASZ | Casambi Bluetooth dim to zero |

| YOUR COMPLETED ORDERING CODE | |
|--|--|
| Follow the steps to specify your fixture, example: | |
| LX - PRO - TW - 15LM - 2765 - 95 - 50D - SBL - NA - WH - MEVO - 48 - CASZ | |

NOTES

1. Barndoor available in standard BK finish.
2. Custom finish can be applied to specific parts of fixture: Housing, stem, bezel and accessories. Custom set up fee plus minimum quantity required per color.

* EML = equivalent melanopic lux. To calculate EML, multiply the measured photopic lux by the EML Ratio for the given CCT. Example: 254 lux x 0.79 = 200 melanopic lux at 4000K.

| PROJECT INFORMATION | | |
|---------------------|--|------|
| JOB NAME | | TYPE |
| ORDERING CODE | | |

| NICHIA TUNABLE WHITE - ORDERING CODE | | | | | | | |
|--|------------------------|---|-------|-------|--------|--------|-------|
| SERIES | LX | LX | | | | | |
| TYPE | PRO | performance cylinder | | | | | |
| LED | TW | tunable white (Nichia) | | | | | |
| DELIVERED LUMENS | 10LM | 1050 lm | | | | | |
| | 15LM | 1400 lm | | | | | |
| | 20LM | 1990 lm | | | | | |
| Standard Configuration: 3500K 50D NL Calculated Delivered Lumens = [Delivered Lumen Value] x [Optic Multiplier] x [Lens Multiplier] | | | | | | | |
| CCT | 2750 | 2700K to 5000K tunable white | | | | | |
| | | CCT | 2700K | 3000K | 3500K | 4000K | 5000K |
| | | EML RATIO | 0.43 | 0.51 | 0.63 | 0.69 | 0.80 |
| CRI | 80 | 80 CRI | | | | | |
| OPTIC & LM MULTIPLIER SEE PAGE 6, 7 | 20D¹ | 20 degrees | | | | (0.97) | |
| | 25D | 25 degrees | | | | (0.94) | |
| | 35D | 35 degrees | | | | (0.89) | |
| | 50D | 50 degrees | | | | (1.00) | |
| LENS SEE PAGE 4 | NL | no lens | | | | (1.05) | |
| | CL | clear lens | | | | (1.00) | |
| | DL | diffused lens | | | | (0.95) | |
| | HET | high efficiency textured lens, similar to Solite™ | | | | (0.99) | |
| | SBL | smoothing beam lens | | | | (1.00) | |
| | HCL | honeycomb louver | | | | (0.81) | |
| | E | elliptical lens, 30° X 60° | | | | (0.94) | |
| | AB | asymmetric beam lens | | | | (0.92) | |
| BW | batwing lens | | | | (0.80) | | |
| Maximum 2pcs of media per fixture. | | | | | | | |
| ACCESSORY SEE PAGE 6 | NA | no accessory | | | | | |
| | BD² | barndoor, black | | | | | |
| | SNT | snoot | | | | | |
| | SHNT | shroud snoot | | | | | |
| FINISH SEE PAGE 4 | BK | black | | | | | |
| | WH | white | | | | | |
| | CC³ | custom color, consult factory for details | | | | | |
| When choosing CC option, adaptor finish (BK, WH) must be specified. Example: MEVOBK | | | | | | | |

| NICHIA TUNABLE WHITE - ORDERING CODE | | |
|--|---------------|--|
| MOUNTING OPTIONS SEE PAGE 7, 8 | MEVO | 48V stucchi multisystem track spot |
| | MEVOF | 48V stucchi multisystem fixed track spot |
| | MEVOPX | 48V stucchi multisystem track pendant, X = desired cable length from 6" to 72" |
| VOLTAGE | 48 | 48V |
| DIMMING | CASZ | Casambi Bluetooth dim to zero |

| YOUR COMPLETED ORDERING CODE | |
|--|--|
| Follow the steps to specify your fixture, example: | |
| LX - PRO - TW - 15LM - 2750 - 80 - 50D - SBL - NA - WH - MEVO - 48 - CASZ | |

NOTES

- 20D not available in NL/CL lens options.
- Barndoor available in standard BK finish.
- Custom finish can be applied to specific parts of fixture: Housing, stem, bezel and accessories. Custom set up fee plus minimum quantity required per color.

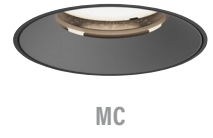
| PROJECT INFORMATION | | |
|---------------------|--|------|
| JOB NAME | | TYPE |
| ORDERING CODE | | |

BEZEL OPTIONS

BEZEL COLORS



WH



MC



BK

LUMINUS OPTICAL OPTIONS

- UGR calculation based on CIE 117-1995; room size: 4H X 8H, reflectance: 70/50/20;
- UGR calculation based on 15LM fixtures, unless otherwise noted.

HCL

Honeycomb Louver



| OPTIC | BEAM ANGLE | UGR |
|-------|------------|------|
| 30D | 30 | 13.2 |
| 35D | 33 | 14.6 |
| 50D | 44 | 17.5 |

DL

Diffused Lens



| OPTIC | BEAM ANGLE | UGR |
|-------|------------|------|
| 30D | 46 | 23.1 |
| 35D | 50 | 23.6 |
| 50D | 59 | 24.6 |

HET

High Efficiency Textured Lens



| OPTIC | BEAM ANGLE | UGR |
|-------|------------|------|
| 30D | 34 | 18.7 |
| 35D | 38 | 19.9 |
| 50D | 51 | 20.9 |

SBL

Smoothing Beam Lens



| OPTIC | BEAM ANGLE | UGR |
|-------|------------|------|
| 30D | 32 | 17.9 |
| 35D | 36 | 19.2 |
| 50D | 52 | 20.2 |

E

Elliptical Lens



| OPTIC | BEAM ANGLE | UGR |
|-------|------------|-------|
| 30D | 45x71 | 22/27 |
| 35D | 49x74 | 23/27 |
| 50D | 56x83 | 24/28 |

BW

Batwing Lens



| OPTIC | BEAM ANGLE | UGR |
|-------|------------|-------|
| 30D | 44x79 | 23/27 |
| 35D | 45x82 | 24/27 |
| 50D | 50x89 | 24/28 |

AB

Asymmetric Beam Lens

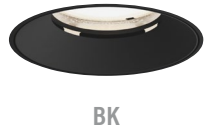


| OPTIC | BEAM ANGLE | UGR |
|-------|------------|-----|
| 30D | 37 | NA |
| 35D | 41 | NA |
| 50D | 52 | NA |

| PROJECT INFORMATION | | |
|---------------------|--|------|
| JOB NAME | | TYPE |
| ORDERING CODE | | |

BEZEL OPTIONS

BEZEL COLORS



NICHIA OPTICAL OPTIONS

- UGR calculation based on CIE 117-1995; room size: 4H X 8H, reflectance: 70/50/20;
- UGR calculation based on 15LM fixtures, unless otherwise noted.

HCL

Honeycomb Louver



| OPTIC | BEAM ANGLE | UGR |
|-------|------------|------|
| 20D | 19 | 5.8 |
| 25D | 28 | 8 |
| 35D | 31 | 10.8 |
| 50D | 43 | 15.4 |

NL

No Lens



| OPTIC | BEAM ANGLE | UGR |
|-------|------------|------|
| 25D | 26 | 12.7 |
| 35D | 34 | 15.4 |
| 50D | 50 | 18 |

CL

Clear Lens



| OPTIC | BEAM ANGLE | UGR |
|-------|------------|------|
| 25D | 26 | 12.5 |
| 35D | 34 | 15.1 |
| 50D | 50 | 17.9 |

DL

Diffused Lens



| OPTIC | BEAM ANGLE | UGR |
|-------|------------|------|
| 20D | 37 | 19.2 |
| 25D | 41 | 20.4 |
| 35D | 46 | 21.7 |
| 50D | 57 | 23.3 |

HET

High Efficiency Textured Lens



| OPTIC | BEAM ANGLE | UGR |
|-------|------------|------|
| 20D | 23 | 13 |
| 25D | 29 | 15 |
| 35D | 35 | 17 |
| 50D | 49 | 18.9 |

SBL

Smoothing Beam Lens



| OPTIC | BEAM ANGLE | UGR |
|-------|------------|------|
| 20D | 20 | 12.3 |
| 25D | 26 | 14.2 |
| 35D | 34 | 16.3 |
| 50D | 50 | 18.1 |

E

Elliptical Lens



| OPTIC | BEAM ANGLE | UGR |
|-------|------------|-------|
| 20D | 36x62 | 18/24 |
| 25D | 40x65 | 20/25 |
| 35D | 45x71 | 21/26 |
| 50D | 55x81 | 22/27 |

BW

Batwing Lens



| OPTIC | BEAM ANGLE | UGR |
|-------|------------|-------|
| 20D | 34x71 | 21/25 |
| 25D | 39x74 | 22/26 |
| 35D | 42x79 | 22/26 |
| 50D | 48x87 | 23/27 |

AB

Asymmetric Beam Lens



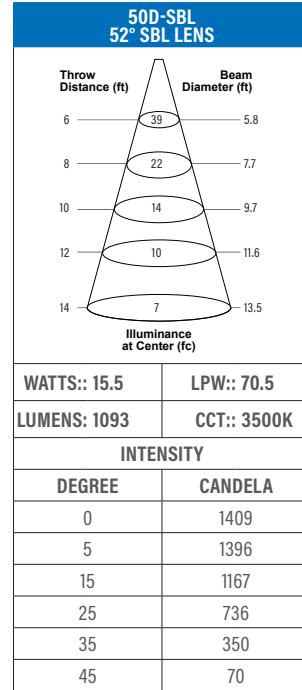
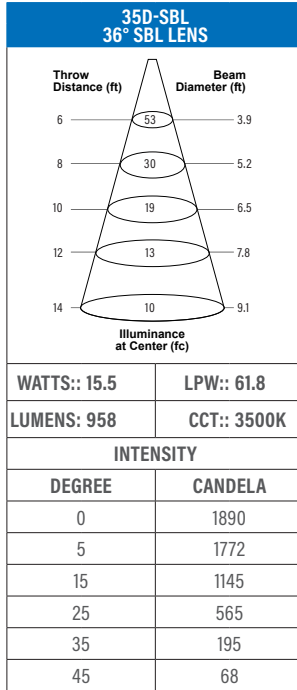
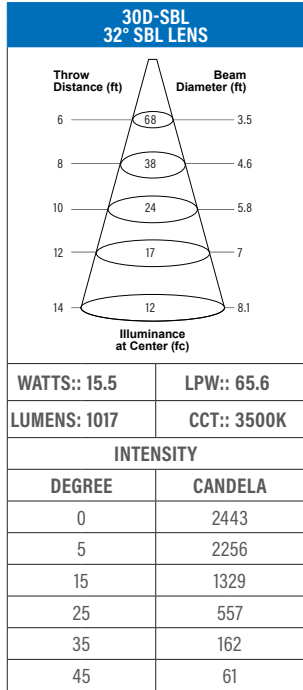
| OPTIC | BEAM ANGLE | UGR |
|-------|------------|-----|
| 20D | 24 | NA |
| 25D | 30 | NA |
| 35D | 37 | NA |
| 50D | 50 | NA |

| PROJECT INFORMATION | | |
|---------------------|--|------|
| JOB NAME | | TYPE |
| ORDERING CODE | | |

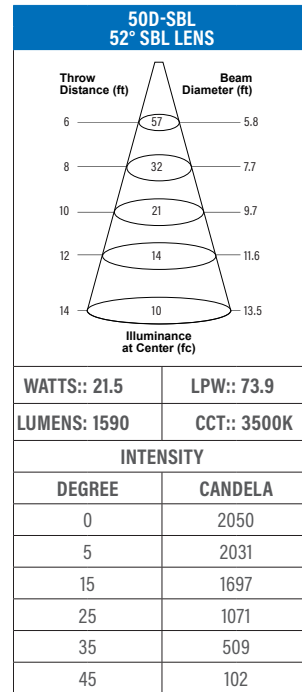
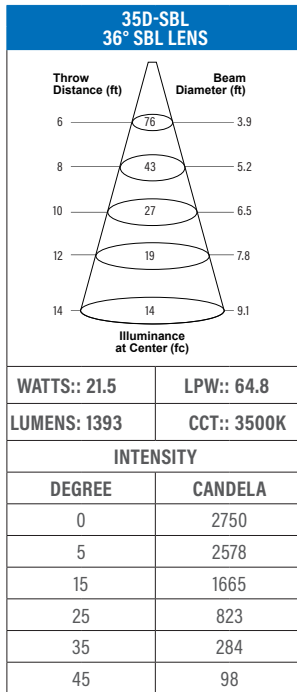
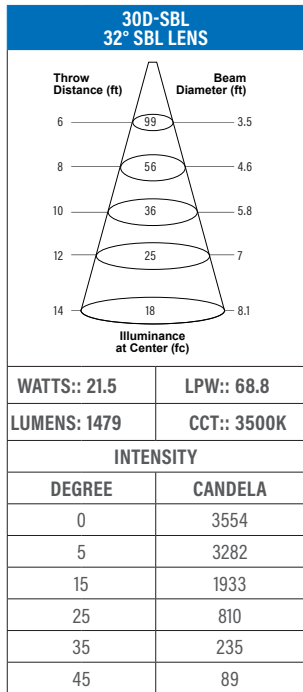
PHOTOMETRIC DATA

LUMINUS CTM18

10LM



15LM

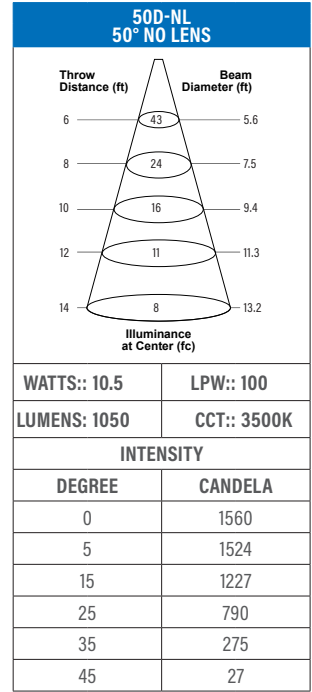
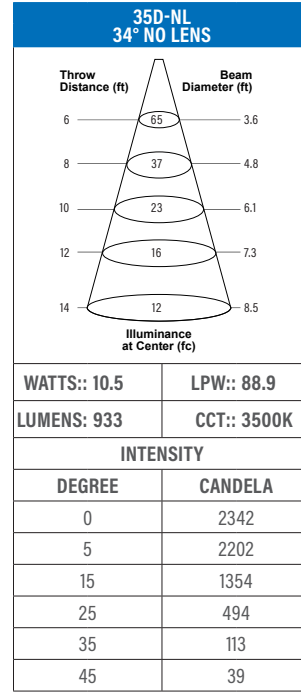
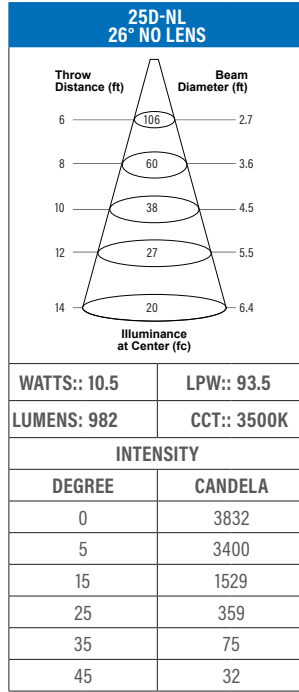
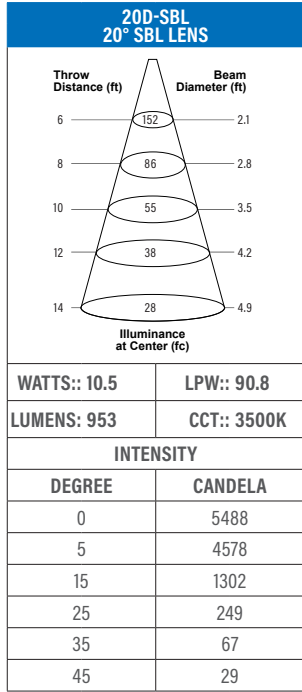


| PROJECT INFORMATION | | |
|---------------------|--|------|
| JOB NAME | | TYPE |
| ORDERING CODE | | |

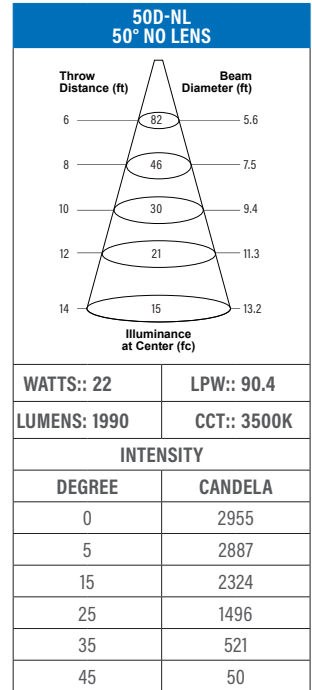
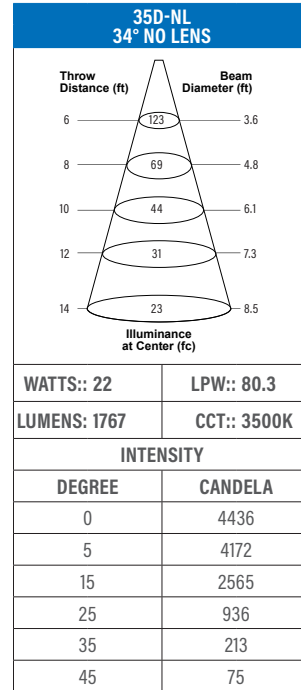
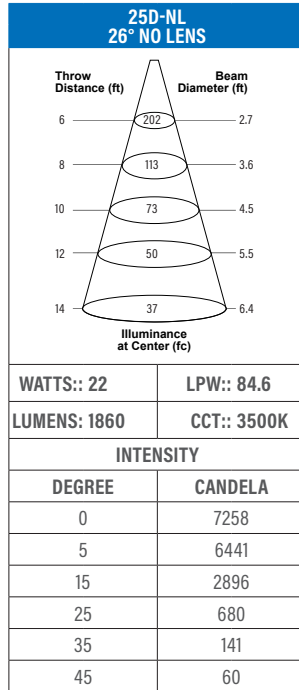
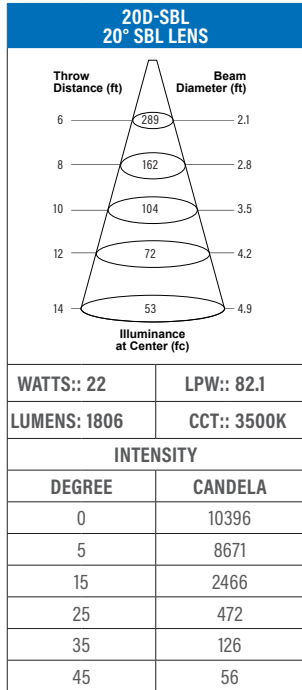
PHOTOMETRIC DATA

NICHIA

10LM

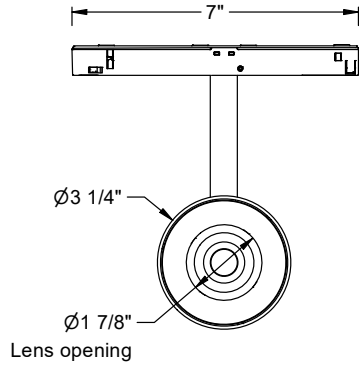


20LM

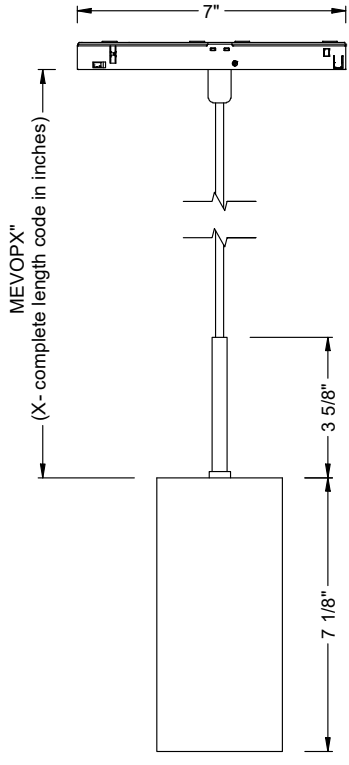
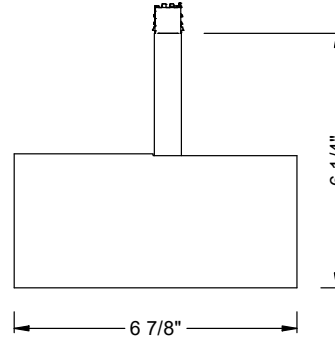


| PROJECT INFORMATION | | |
|---------------------|--|------|
| JOB NAME | | TYPE |
| ORDERING CODE | | |

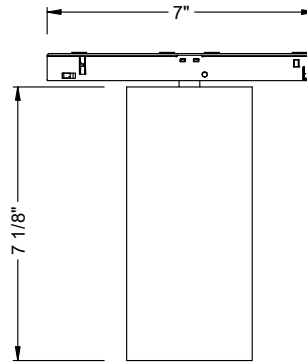
MOUNTING OPTIONS



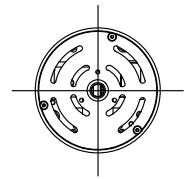
MEVO TRACK



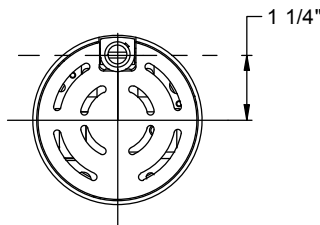
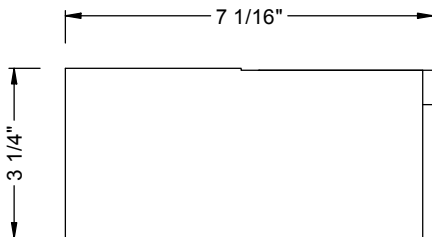
MEVO PENDANT



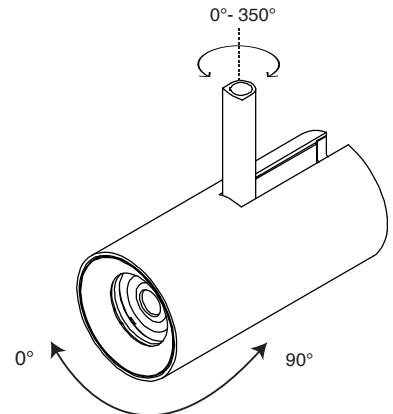
MEVO FIXED SPOT



FIXED CENTERED FULCRUM



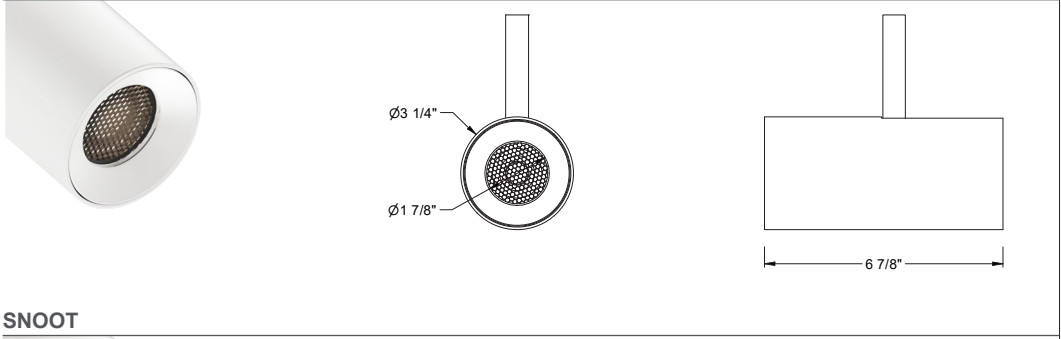
PIVOT FULCRUM



| PROJECT INFORMATION | | |
|---------------------|--|------|
| JOB NAME | | TYPE |
| ORDERING CODE | | |

ACCESSORIES

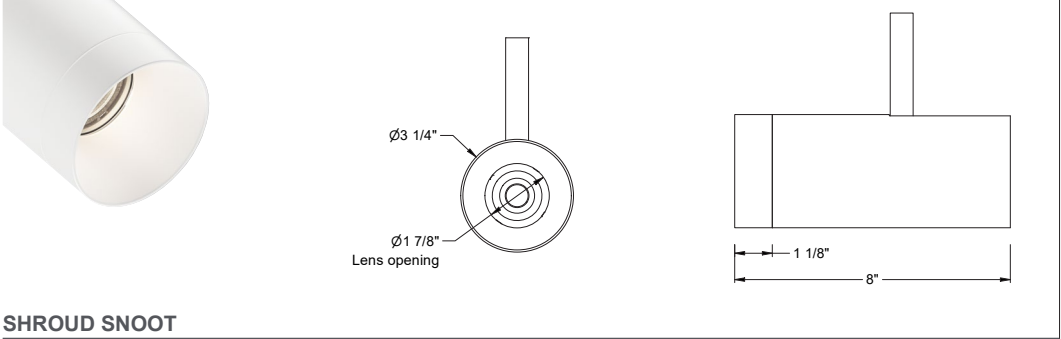
HONEYCOMB LOUVER



Accessories Ordering Codes^{1,2}

| | |
|--------|--|
| BDBK | barndoor, black (Cat. No. K20338BK) |
| SNTBK | snoot, black (Cat. No. K20336BK) |
| SNTWH | snoot, white (Cat. No. K20336WH) |
| SNTMC | snoot, matte chrome (Cat. No. K20336MC) |
| SHNTBK | shroud snoot, black (Cat. No. K20337BK) |
| SHNTWH | shroud snoot, white (Cat. No. K20337WH) |
| SHNTMC | shroud snoot, matte chrome (Cat. No. K20337MC) |

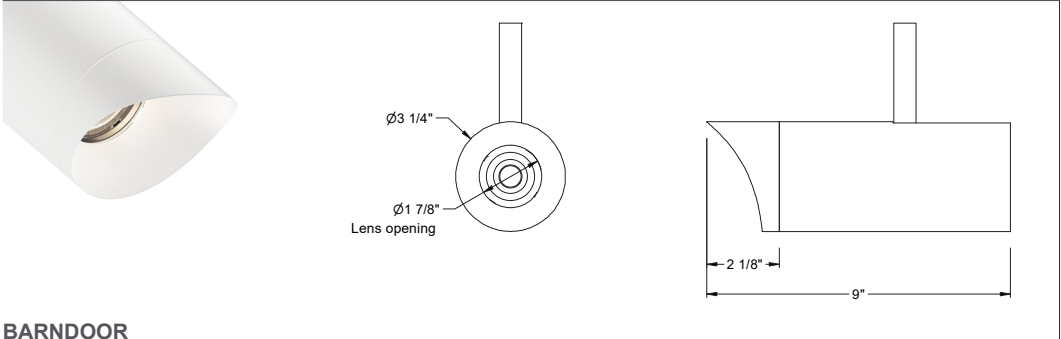
SNOOT



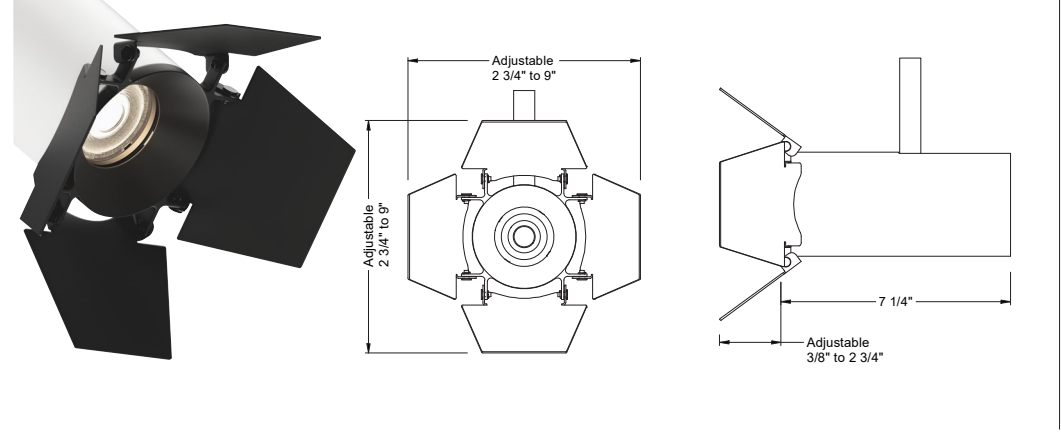
Lens Ordering Codes^{1,2}

| | |
|--------------------|--|
| HCL | honeycomb louver (Cat. No. 81329) |
| E | elliptical lens, 30° X 60° (Cat. No. 74211-ELP) |
| SBL | smoothing beam lens (Cat. No. 74211-SBL) |
| DL | diffused lens (Cat. No. 74211) |
| BW | batwing lens (Cat. No. 74211-BW) |
| AB | asymmetric beam lens (Cat. No. 74211-AB) |
| HET | high efficiency textured lens, similar to Solite™ (Cat. No. 74211-HET) |
| CL | clear lens (Cat. No. 74211-CL) |
| CF-RD ³ | color filter - red (Cat. No. 74288-RD) |
| CF-BL ³ | color filter - blue (Cat. No. 74288-BL) |
| CF-GR ³ | color filter - green (Cat. No. 74288-GR) |
| CF-AM ³ | color filter - amber (Cat. No. 74288-AM) |
| BRT | bezel removal tool (Cat. No. 81639) |

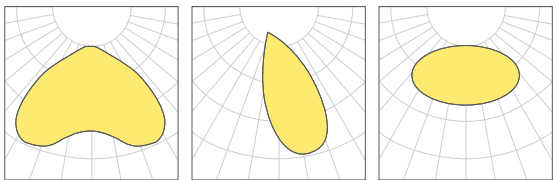
SHROUD SNOOT



BARNDOOR



LIGHT DISTRIBUTION



BATWING ASYMMETRIC ELLIPSE 30° X 60°