

PROJECT INFORMATION		
JOB NAME		TYPE
ORDERING CODE		

LX PRO

MEVO Stucchi Track Mount Warm Dim



30° - 50° BEAM (Note: Specifications are subject to change without notice)		
18mm DYNAMIC COB PERFORMANCE DATA		
LED LIGHT ENGINE	NOMINAL DELIVERED LUMENS	SYSTEM WATTAGE
20LM	2100LM @30K/97CRI	31W
NOTES	Delivered lumens based on 50D optic with SBL lens, (see page 2)	

30° - 50° BEAM (Note: Specifications are subject to change without notice)		
14mm DYNAMIC COB PERFORMANCE DATA		
LED LIGHT ENGINE	NOMINAL DELIVERED LUMENS	SYSTEM WATTAGE
15LM	1580LM @30K/97CRI	23W
NOTES	Delivered lumens based on 50D optic with SBL lens, (see page 2)	

15° - 50° BEAM (Note: Specifications are subject to change without notice)		
9mm DYNAMIC COB PERFORMANCE DATA		
LED LIGHT ENGINE	NOMINAL DELIVERED LUMENS	SYSTEM WATTAGE
10LM	950LM @30K/97CRI	16W
NOTES	Delivered lumens based on 50D optic with SBL lens, (see page 2)	

FEATURES

- Seamless casting with textured finish for clean aesthetics
- Flush stem regression at 0°
- 15° - 50° beam spread
- UGR < 19
- Mounting options include various STUCCHI track systems
- Glare control options, specialty optics, lensing, accessories and custom RAL finishes available

DIMMING AND CONTROLS

- Flicker free 0-10V dimming to 0%
- Casambi bluetooth dimming to 0%

CONSTRUCTION

- Casted aluminum housing
- PMMA optics
- SVT pendant cord

LED

- Luminus Dim-to-warm COB: 97 CRI: SDCM = 3-step MacAdam Ellipse; Lumen Maintenance: L₇₀ > 54,000 hrs
- Dim to Warm from 3000K - 1800K.

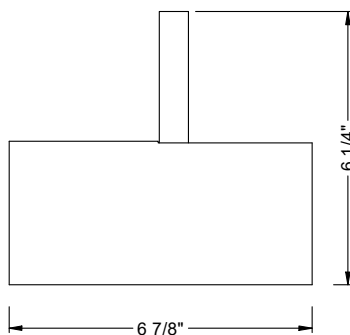
LISTING

- CSAus Listed to UL1574; cCSA Listed to CSA C22.2 #9.0
- Suitable for dry and damp locations
- 5 Year Limited warranty

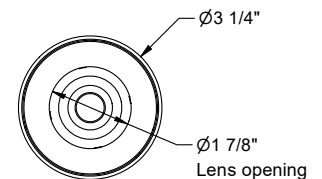
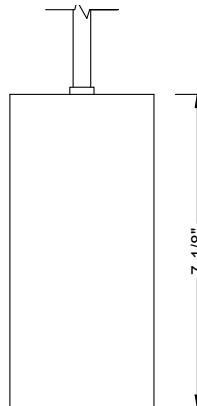
ELECTRICAL

- 48V (Casambi, 0-10V)
- Power factory ≥ 0.9
- 2kV driver input surge protection

SPOT



PENDANT



PROJECT INFORMATION		
JOB NAME		TYPE
ORDERING CODE		

15° - 50° BEAM ORDERING CODE

SERIES	LX	LX				
TYPE	PRO	performance cylinder				
LED	WD	warm dim (Luminus)				
DELIVERED LUMENS	10LM¹	950 lm				
	15LM²	1580 lm				
	20LM²	2100 lm				
Standard Configuration: 3000K 50D SBL Calculated Delivered Lumens = [Delivered Lumen Value] x [Optic Multiplier] x [Lens Multiplier]						
CCT	3018	3000K, dim to 1800K				
		CCT at Light Level (%LF)				
		%LF	25LM	20LM	15LM	10LM
		100%	3000	3000	3000	3000
		50%	3000	3000	3000	2800
25%	2800	2800	2500	2300		
10%	2200	2200	2000	1900		
5%	1800	1800	1800	1800		
CRI	97	97 CRI				
OPTIC & LM MULTIPLIER SEE PAGE 4 - 7	15D	15 degrees	(0.98)			
	25D	25 degrees	(0.94)			
	30D	30 degrees	(0.94)			
	35D	35 degrees	(0.88)			
	50D	50 degrees	(1.00)			
LENS SEE PAGE 3	NL³	no lens	(1.05)			
	CL³	clear lens	(1.00)			
	DL	diffused lens	(0.95)			
	HET	high efficiency textured lens, similar to Solite™	(0.99)			
	SBL	smoothing beam lens	(1.00)			
	HCL	honeycomb louver	(0.81)			
	E	elliptical lens, 30° X 60°	(0.94)			
	AB	asymmetric beam lens	(0.92)			
BW	batwing lens	(0.80)				
Maximum 2pcs of media per fixture.						
ACCESSORY SEE PAGE 6	NA	no accessory				
	BD⁴	barndoor, black				
	SNT	snoot				
	SHNT	shroud snoot				
FINISH SEE PAGE 3	BK	black				
	WH	white				
	CC⁵	custom color, consult factory for details				
When choosing CC option, adaptor finish (BK, WH) must be specified. Example: MEVOBK						

15° - 50° BEAM ORDERING CODE

MOUNTING OPTIONS SEE PAGE 8, 9	MEVO	48V stucchi multisystem track spot
	MEVOF	48V stucchi multisystem fixed track spot
	MEVOPX	48V stucchi multisystem track pendant, X = desired cable length from 6" to 72"
VOLTAGE	48	48V
DIMMING	DIM10Z	0-10V dim to zero
	CASZ	Casambi Bluetooth dim to zero

YOUR COMPLETED ORDERING CODE

Follow the steps to specify your fixture, example:		
LX - PRO - WD - 15LM - 3018 - 97 - 50D - SBL - NA - WH - MEVO - 48 - CASZ		

NOTES

- 10LM only available in 15D/25D/35D/50D.
- 15LM/20LM only available in 30D/35D/50D.
- NL/CL lens options only available in 10LM.
- Barndoor available in standard BK finish.
- Custom finish can be applied to specific parts of fixture: Housing, stem, bezel and accessories. Custom set up fee plus minimum quantity required per color.

* Warm Dim CCT values at X% are for reference. Actual CCT may vary.

PROJECT INFORMATION		
JOB NAME		TYPE
ORDERING CODE		

BEZEL OPTIONS

BEZEL COLORS



OPTICAL OPTIONS

- UGR calculation based on CIE 117-1995; room size: 4H X 8H, reflectance: 70/50/20;
- UGR calculation based on 15LM fixtures, unless otherwise noted.

HCL

Honeycomb Louver



OPTIC	BEAM ANGLE	UGR
15D	16	4
25D	23	6.3
35D	31	9.1
50D	43	14.4

HCL UGR calculation based on 10LM fixtures

NL

No Lens



OPTIC	BEAM ANGLE	UGR
15D	16	9.1
25D	24	11.4
35D	34	13.8
50D	52	17

NL UGR calculation based on 10LM fixtures

CL

Clear Lens



OPTIC	BEAM ANGLE	UGR
15D	16	9.5
25D	24	12.2
35D	34	14.5
50D	51	16.7

CL UGR calculation based on 10LM fixtures

DL

Diffused Lens



OPTIC	BEAM ANGLE	UGR
15D	35	17.8
25D	39	18.8
30D	43	21.7
35D	48	23
50D	58	24.2

15D, 25D UGR calculation based on 10LM fixtures

HET

High Efficiency Textured Lens



OPTIC	BEAM ANGLE	UGR
15D	21	11
25D	27	13
30D	31	17.3
35D	36	18.6
50D	49	20.2

15D, 25D UGR calculation based on 10LM fixtures

SBL

Smoothing Beam Lens



OPTIC	BEAM ANGLE	UGR
15D	17	9.7
25D	24	12.4
30D	28	16.3
35D	34	18
50D	50	19.3

15D, 25D UGR calculation based on 10LM fixtures

E

Elliptical Lens



OPTIC	BEAM ANGLE	UGR
15D	34x59	16/23
25D	38x64	18/23
30D	42x67	21/26
35D	47x71	22/26
50D	56x82	23/28

15D, 25D UGR calculation based on 10LM fixtures

BW

Batwing Lens



OPTIC	BEAM ANGLE	UGR
15D	35x69	20/24
25D	38x73	20/24
30D	40x76	23/26
35D	43x81	23/27
50D	48x88	23/27

15D, 25D UGR calculation based on 10LM fixtures

AB

Asymmetric Beam Lens



OPTIC	BEAM ANGLE	UGR
15D	21	NA
25D	28	NA
30D	32	NA
35D	39	NA
50D	50	NA

15D, 25D UGR calculation based on 10LM fixtures

PROJECT INFORMATION		
JOB NAME		TYPE
ORDERING CODE		

PHOTOMETRIC DATA

10LM

**15D-SBL
17° SBL LENS**

Throw Distance (ft)	Beam Diameter (ft)
6	200
8	112
10	72
12	50
14	37

ILLUMINANCE at Center (fc)

WATTS:: 15.6	LPW:: 59.5
LUMENS: 929	CCT:: 3000K
INTENSITY	
DEGREE	CANDELA
0	7192
5	5730
15	1130
25	169
35	54
45	24

**25D-SBL
25° SBL LENS**

Throw Distance (ft)	Beam Diameter (ft)
6	105
8	59
10	38
12	26
14	19

ILLUMINANCE at Center (fc)

WATTS:: 15.6	LPW:: 56.9
LUMENS: 887	CCT:: 3000K
INTENSITY	
DEGREE	CANDELA
0	3790
5	3338
15	1380
25	264
35	67
45	31

**35D-SBL
34° SBL LENS**

Throw Distance (ft)	Beam Diameter (ft)
6	59
8	33
10	21
12	15
14	11

ILLUMINANCE at Center (fc)

WATTS:: 15.6	LPW:: 54.8
LUMENS: 854	CCT:: 3000K
INTENSITY	
DEGREE	CANDELA
0	2134
5	2028
15	1277
25	424
35	95
45	37

**50D-SBL
51° SBL LENS**

Throw Distance (ft)	Beam Diameter (ft)
6	39
8	22
10	14
12	10
14	7

ILLUMINANCE at Center (fc)

WATTS:: 15.6	LPW:: 60.8
LUMENS: 949	CCT:: 3000K
INTENSITY	
DEGREE	CANDELA
0	1397
5	1361
15	1086
25	712
35	244
45	33

20LM

**30D-SBL
32° SBL LENS**

Throw Distance (ft)	Beam Diameter (ft)
6	130
8	73
10	47
12	33
14	24

ILLUMINANCE at Center (fc)

WATTS:: 31.3	LPW:: 62.4
LUMENS: 1953	CCT:: 3000K
INTENSITY	
DEGREE	CANDELA
0	4692
5	4333
15	2552
25	1070
35	311
45	117

**35D-SBL
36° SBL LENS**

Throw Distance (ft)	Beam Diameter (ft)
6	101
8	57
10	36
12	25
14	19

ILLUMINANCE at Center (fc)

WATTS:: 31.3	LPW:: 58.7
LUMENS: 1839	CCT:: 3000K
INTENSITY	
DEGREE	CANDELA
0	3630
5	3404
15	2198
25	1086
35	375
45	130

**50D-SBL
52° SBL LENS**

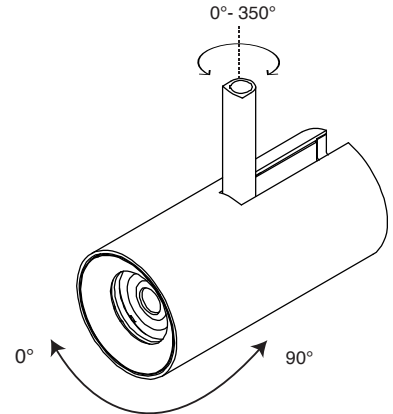
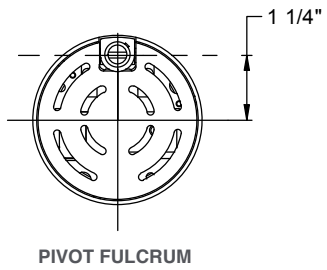
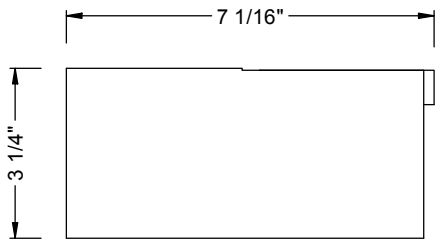
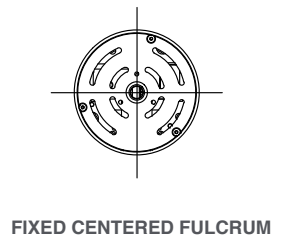
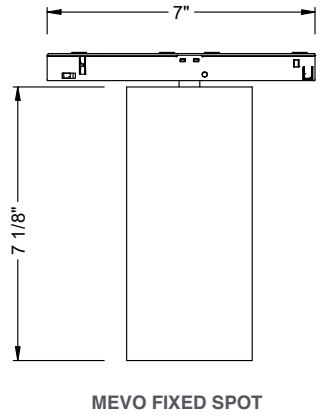
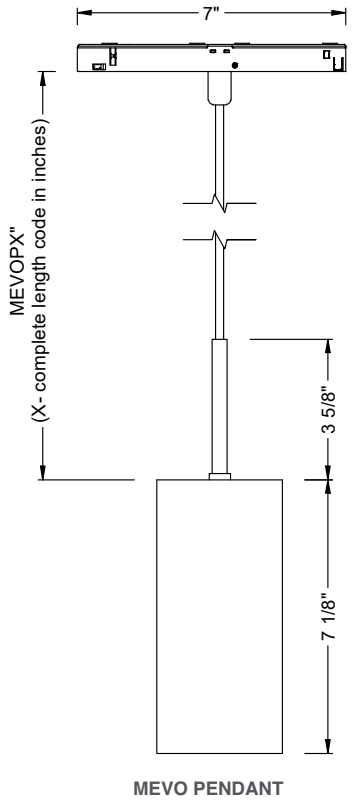
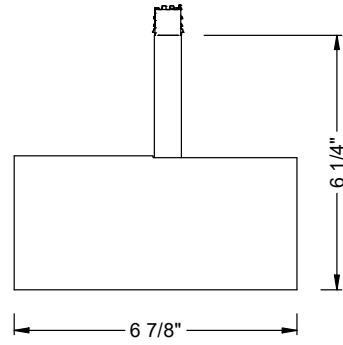
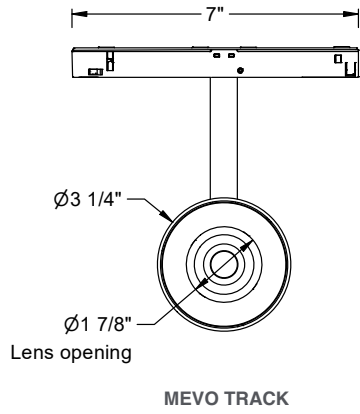
Throw Distance (ft)	Beam Diameter (ft)
6	75
8	42
10	27
12	19
14	14

ILLUMINANCE at Center (fc)

WATTS:: 31.3	LPW:: 67.1
LUMENS: 2099	CCT:: 3000K
INTENSITY	
DEGREE	CANDELA
0	2706
5	2681
15	2241
25	1414
35	672
45	135

PROJECT INFORMATION		
JOB NAME		TYPE
ORDERING CODE		

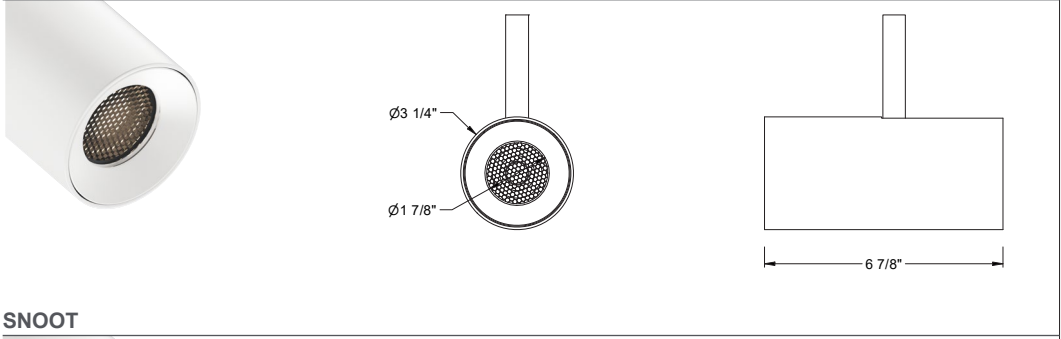
MOUNTING OPTIONS



PROJECT INFORMATION		
JOB NAME		TYPE
ORDERING CODE		

ACCESSORIES

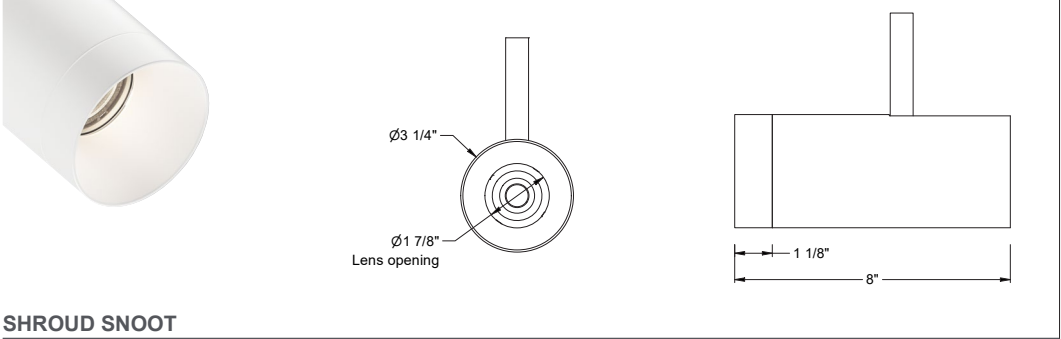
HONEYCOMB LOUVER



Accessories Ordering Codes^{1,2}

BDBK	barndoor, black (Cat. No. K20338BK)
SNTBK	snoot, black (Cat. No. K20336BK)
SNTWH	snoot, white (Cat. No. K20336WH)
SNTMC	snoot, matte chrome (Cat. No. K20336MC)
SHNTBK	shroud snoot, black (Cat. No. K20337BK)
SHNTWH	shroud snoot, white (Cat. No. K20337WH)
SHNTMC	shroud snoot, matte chrome (Cat. No. K20337MC)

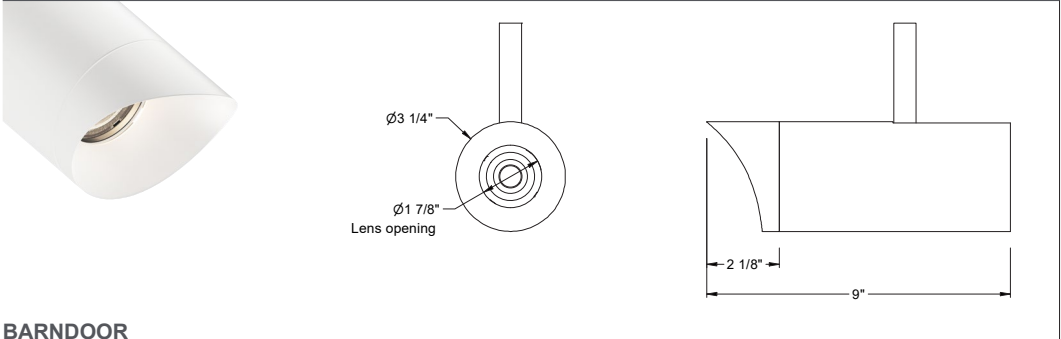
SNOOT



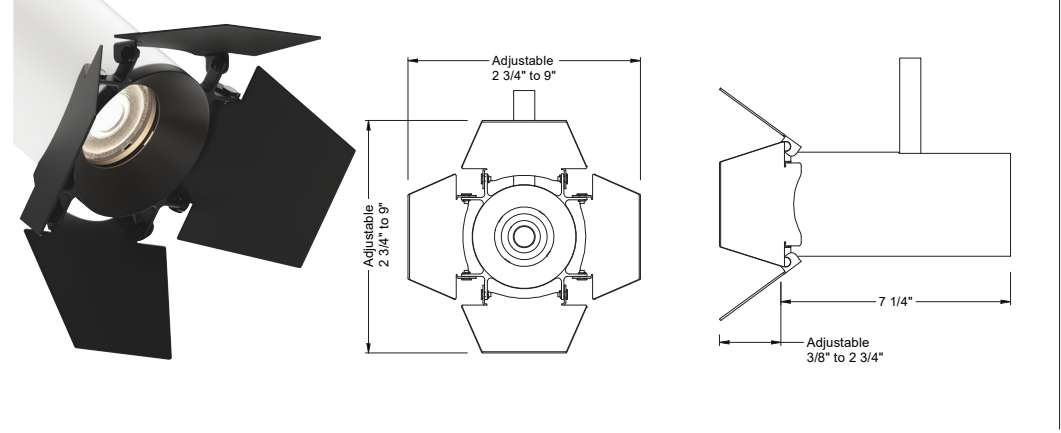
Lens Ordering Codes^{1,2}

HCL	honeycomb louver (Cat. No. 81329)
E	elliptical lens, 30° X 60° (Cat. No. 74211-ELP)
SBL	smoothing beam lens (Cat. No. 74211-SBL)
DL	diffused lens (Cat. No. 74211)
BW	batwing lens (Cat. No. 74211-BW)
AB	asymmetric beam lens (Cat. No. 74211-AB)
HET	high efficiency textured lens, similar to Solite™ (Cat. No. 74211-HET)
CL	clear lens (Cat. No. 74211-CL)
CF-RD ³	color filter - red (Cat. No. 74288-RD)
CF-BL ³	color filter - blue (Cat. No. 74288-BL)
CF-GR ³	color filter - green (Cat. No. 74288-GR)
CF-AM ³	color filter - amber (Cat. No. 74288-AM)
BRT	bezel removal tool (Cat. No. 81639)

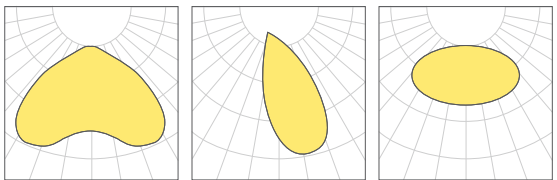
SHROUD SNOOT



BARNDOOR



LIGHT DISTRIBUTION



BATWING ASYMMETRIC ELLIPSE 30° X 60°

PROJECT INFORMATION		
JOB NAME		TYPE
ORDERING CODE		

WARM DIM DIMMING CURVE

CCT RANGE: 3000K TO 1800K

