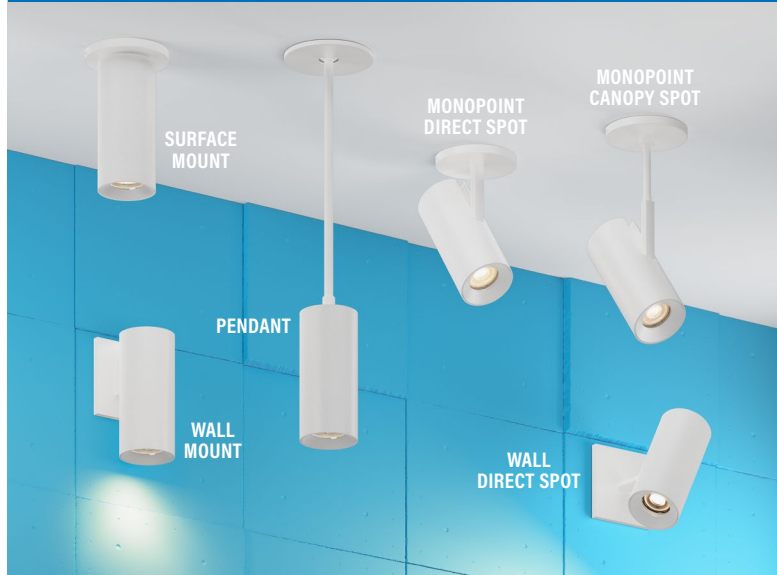


PROJECT INFORMATION		
JOB NAME		TYPE
ORDERING CODE		

LX PRO

Wall & Ceiling Mount RGBW



30° - 50° BEAM (Note: Specifications are subject to change without notice)		
22mm COLOR TUNING MODULE PERFORMANCE DATA		
LED LIGHT ENGINE	NOMINAL DELIVERED LUMENS	SYSTEM WATTAGE
10LM	960LM @35K/95CRI	26W
NOTES	Delivered lumens based on 50D optic with no lens, (see page 2)	

FEATURES

- Seamless casting with textured finish for clean aesthetics
- Thermally optimized for longevity
- 30° - 50° beam spread
- UGR < 19
- Micro slim canopy option at 1/4"-3/8" depth plus 1/2" diameter stem
- Glare control options, specialty optics, lensing, accessories and custom RAL finishes available

DIMMING AND CONTROLS

- BLE mesh network control, profile allows color mixing on Casambi app
- DMX control, dimmable to 1% + RDM

CONSTRUCTION

- Casted aluminum housing
- PMMA optics
- Machined aluminum canopy
- SVT pendant cord

LED

- Lumiled LUXEON C Color Line
- SDCM = 2-step MacAdam Ellipse, Duv +/- 0.002, Lumen Maintenance; L₇₀ > 50,000 hrs

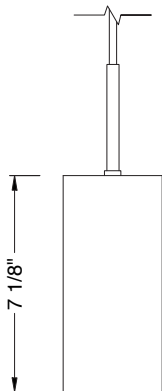
LISTING

- CSAus Listed to UL1598; cCSA Listed to CSA C22.2 #9.0
- Suitable for dry and damp locations
- 5 Year Limited warranty

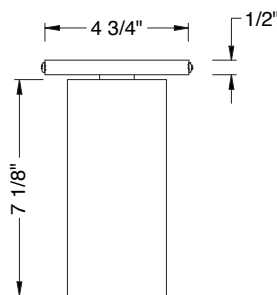
ELECTRICAL

- 120V-277V (Casambi, DMX)
- Power factory ≥ 0.9
- Max ambient temperature 50C

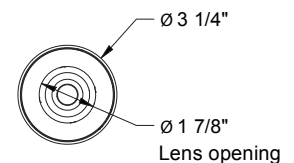
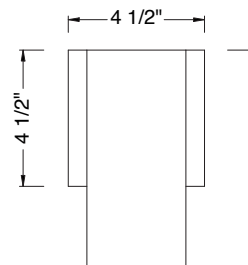
PENDANT



SURFACE MOUNT



WALL MOUNT



PROJECT INFORMATION		
JOB NAME		TYPE
ORDERING CODE		

ORDERING CODE		
SERIES	LX	LX
TYPE	PRO	performance cylinder
LED	RGBW	4 channel color module
DELIVERED LUMENS	10LM	960 lm
	Standard Configuration: 3500K 50D NL Calculated Delivered Lumens = [Delivered Lumen Value] x [Optic Multiplier] x [Lens Multiplier]	
CCT	27K	RGBW with white at 2700K
	30K	RGBW with white at 3000K
	35K	RGBW with white at 3500K
	43K	RGBW with white at 4300K
	65K	RGBW with white at 6500K
CRI	90	90 CRI
OPTIC & LM MULTIPLIER SEE PAGE 4	30D	30 degrees (0.92)
	35D	35 degrees (0.89)
	40D	40 degrees (0.84)
	50D	50 degrees (1.00)
LENS SEE PAGE 3	NL	no lens (1.00)
	CL	clear lens (0.95)
	DL	diffused lens (0.88)
	HET	high efficiency textured lens, similar to Solite™ (0.92)
	SBL	smoothing beam lens (0.93)
	HCL	honeycomb louver (0.71)
	E	elliptical lens, 30° X 60° (0.87)
	AB	asymmetric beam lens (0.84)
BW	batwing lens (0.73)	
Maximum 2pcs of media per fixture.		
ACCESSORY SEE PAGE 2	NA	no accessory
	BD¹	barndoor, black
	SNT	snoot
	SHNT	shroud snoot
FINISH SEE PAGE 3	BK	black
	WH	white
	MC	matte chrome
	CC²	custom color, consult factory for details

ORDERING CODE		
MOUNTING OPTIONS SEE PAGE 5, 6	W	wall mount
	S	surface mount
	JCOV-S	conduit junction box cover with knockouts, surface pendant, 108" flexible cord
	P	conduit junction box cover with knockouts, pendant cord field adjustable
	JCOV-P	conduit junction box cover with knockouts, pendant cord field adjustable
	RP	rigid pendant 4' stem with swivel stem/canopy
	RP5	rigid pendant 5' stem with swivel stem/canopy
	RP6	rigid pendant 6' stem with swivel stem/canopy
	RP8	rigid pendant 8' stem with swivel stem/canopy
	RP10	rigid pendant 10' stem with swivel stem/canopy
	RPF2	rigid pendant 2' with fixed stem/canopy, not field cuttable
	RPF3	rigid pendant 3' with fixed stem/canopy, not field cuttable
	RPF4	rigid pendant 4' with fixed stem/canopy, not field cuttable
	RPF6	rigid pendant 6' with fixed stem/canopy, not field cuttable
JCOV-RPFX	conduit junction box cover with knockouts, complete X code with available lengths	
MP	monopoint canopy spot 24" field cuttable to 1"	
JCOV-MP	conduit junction box cover with knockouts, monopoint 24" field cuttable to 1"	
MPD	monopoint direct spot mounts to ceiling	
WDS	wall direct spot	
VOLTAGE	UNV	120V-277V
DIMMING	DMX³	DMX control dimming to 1%
	CAS	Casambi Bluetooth control with flicker free 1% dimming

YOUR COMPLETED ORDERING CODE
Follow the steps to specify your fixture, example:
LX - PRO - RGBW - 10LM - 30K - 90 - 50D - SBL - NA - WH - RP - UNV - CAS

NOTES

1. Barndoor only available in standard BK finish.
2. Custom finish can be applied to specific parts of fixture: Housing, stem, bezel, mounting and accessories. Custom set up fee plus minimum quantity required per color.
3. DMX not available with P mounting option.

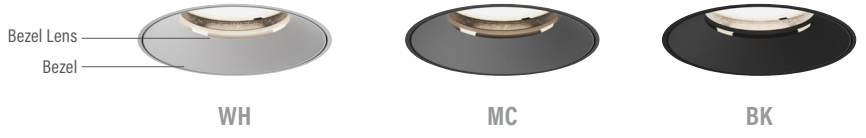
* Slim canopy with rigid stem connection shall be used in jurisdictions that DO NOT require light fixtures to freely swing in lateral directions, complying with local and national building codes.

* RP mounting with swivel is recommended to be installed on a 4in square or 4in deep regress 2-1/8" octagonal junction box.

PROJECT INFORMATION		
JOB NAME		TYPE
ORDERING CODE		

BEZEL OPTIONS

BEZEL COLORS



OPTICAL OPTIONS

- UGR calculation based on CIE 117-1995; room size: 4H X 8H, reflectance: 70/50/20;
- UGR calculation based on 10LM fixtures, unless otherwise noted.



OPTIC	BEAM ANGLE	UGR
30D	30	12.7
35D	33	13.8
40D	36	14.1
50D	43	15.8



OPTIC	BEAM ANGLE	UGR
30D	32	17.1
35D	36	18
40D	41	18.3
50D	51	18.6



OPTIC	BEAM ANGLE	UGR
30D	32	16.9
35D	36	17.8
40D	41	18.1
50D	51	18.3



OPTIC	BEAM ANGLE	UGR
30D	48	21.7
35D	51	22.2
40D	53	22.3
50D	60	22.8



OPTIC	BEAM ANGLE	UGR
30D	35	17.9
35D	39	18.8
40D	42	18.9
50D	51	19.3



OPTIC	BEAM ANGLE	UGR
30D	33	17.2
35D	36	18.2
40D	41	18.4
50D	51	18.6



OPTIC	BEAM ANGLE	UGR
30D	47x72	21/25
35D	50x75	21/25
40D	52x78	22/25
50D	58x84	22/26



OPTIC	BEAM ANGLE	UGR
30D	45x82	21/25
35D	47x84	22/25
40D	48x86	22/25
50D	51x90	22/26



OPTIC	BEAM ANGLE	UGR
30D	38	NA
35D	41	NA
40D	45	NA
50D	52	NA

PROJECT INFORMATION		
JOB NAME		TYPE
ORDERING CODE		

PHOTOMETRIC DATA

10LM

30D-NL 32° NO LENS	
Throw Distance (ft)	Beam Diameter (ft)
6	3.5
8	4.6
10	5.8
12	6.9
14	8.1
Illuminance at Center (fc)	
54	
31	
20	
14	
10	
WATTS:: 26	LPW:: 33.5
LUMENS: 872	CCT:: 3000K
INTENSITY	
DEGREE	CANDELA
0	1960
5	1804
15	1059
25	476
35	179
45	63

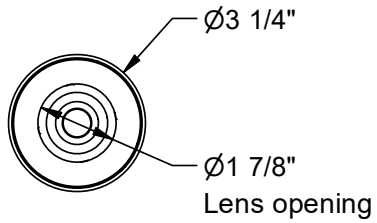
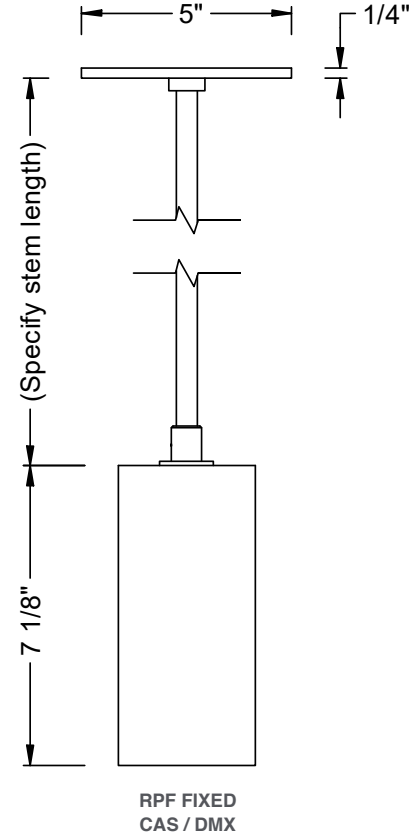
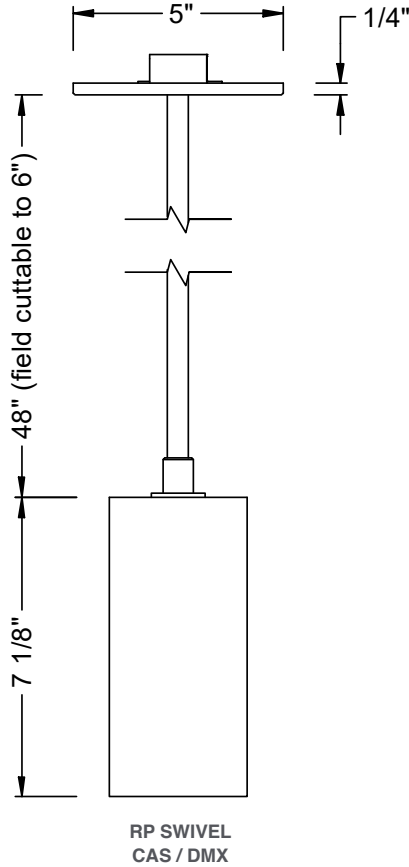
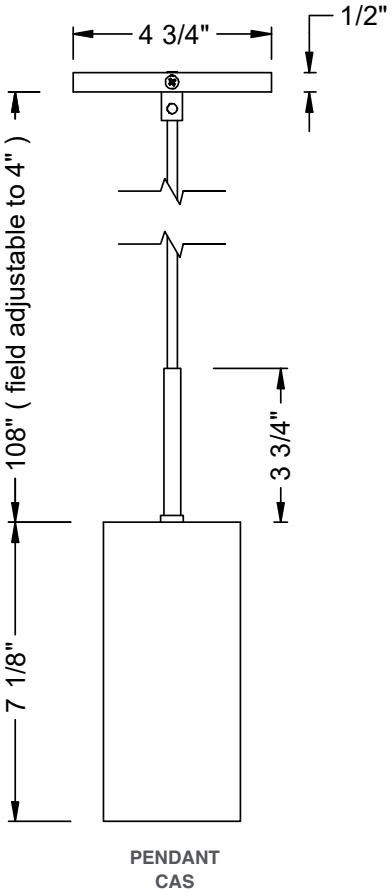
35D-NL 36° NO LENS	
Throw Distance (ft)	Beam Diameter (ft)
6	3.9
8	5.2
10	6.4
12	7.7
14	9
Illuminance at Center (fc)	
45	
25	
16	
11	
8	
WATTS:: 26	LPW:: 32.7
LUMENS: 851	CCT:: 3000K
INTENSITY	
DEGREE	CANDELA
0	1620
5	1513
15	970
25	488
35	197
45	73

40D-NL 41° NO LENS	
Throw Distance (ft)	Beam Diameter (ft)
6	4.4
8	5.9
10	7.4
12	8.9
14	10.4
Illuminance at Center (fc)	
37	
21	
13	
9	
7	
WATTS:: 26	LPW:: 31
LUMENS: 805	CCT:: 3000K
INTENSITY	
DEGREE	CANDELA
0	1316
5	1256
15	874
25	490
35	200
45	73

50D-NL 51° NO LENS	
Throw Distance (ft)	Beam Diameter (ft)
6	5.7
8	7.6
10	9.6
12	11.5
14	13.4
Illuminance at Center (fc)	
35	
20	
12	
9	
6	
WATTS:: 26	LPW:: 36.9
LUMENS: 959	CCT:: 3000K
INTENSITY	
DEGREE	CANDELA
0	1249
5	1220
15	989
25	643
35	323
45	68

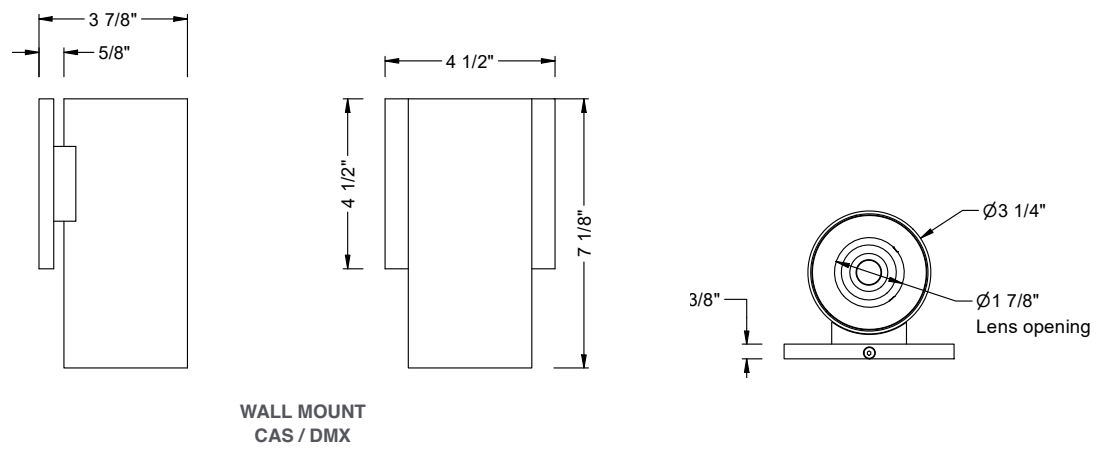
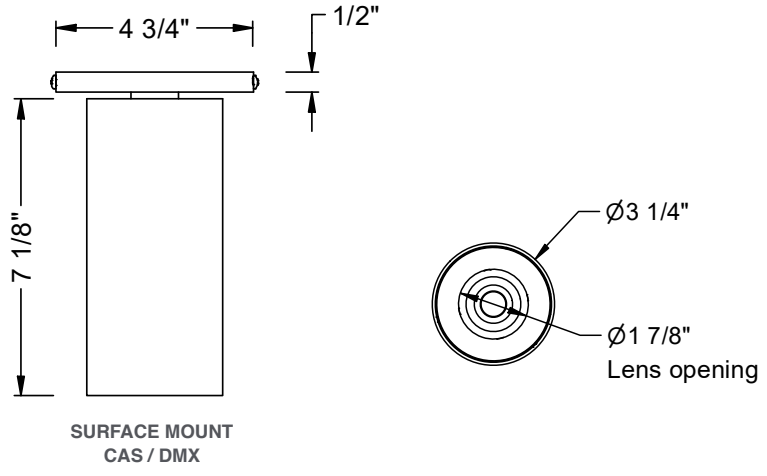
PROJECT INFORMATION		
JOB NAME		TYPE
ORDERING CODE		

MOUNTING OPTIONS



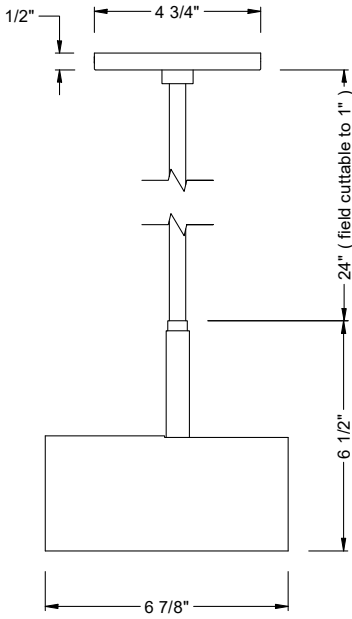
PROJECT INFORMATION		
JOB NAME		TYPE
ORDERING CODE		

MOUNTING OPTIONS

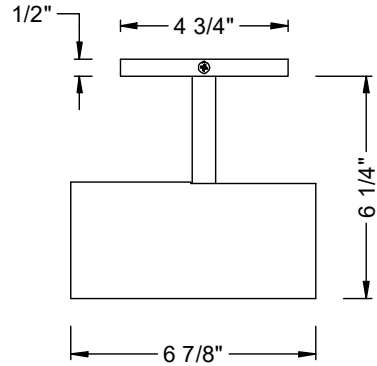


PROJECT INFORMATION		
JOB NAME		TYPE
ORDERING CODE		

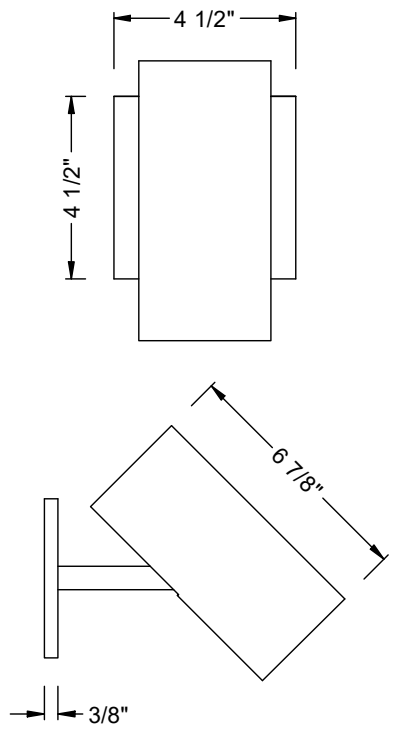
MOUNTING OPTIONS



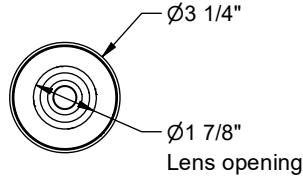
**MONOPOINT
CAS / DMX**



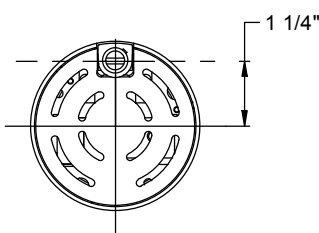
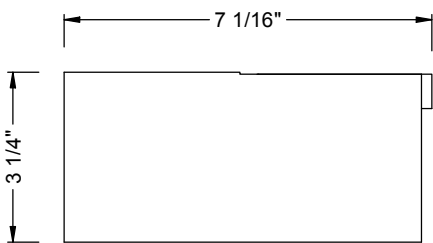
**MONOPOINT DIRECT
DIM10 / ELV1 / CAS / DMXZ**
*Monopoint direct can be
mounted on ceiling only*



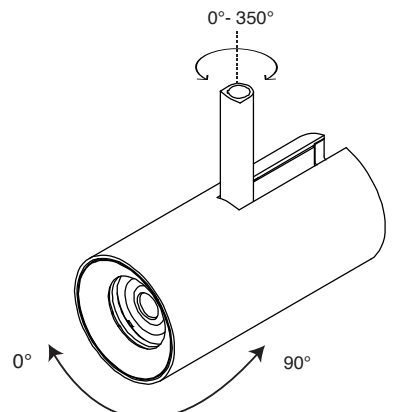
**WALL DIRECT SPOT
DIM10 / ELV1 / CAS / DMXZ**



Lens opening



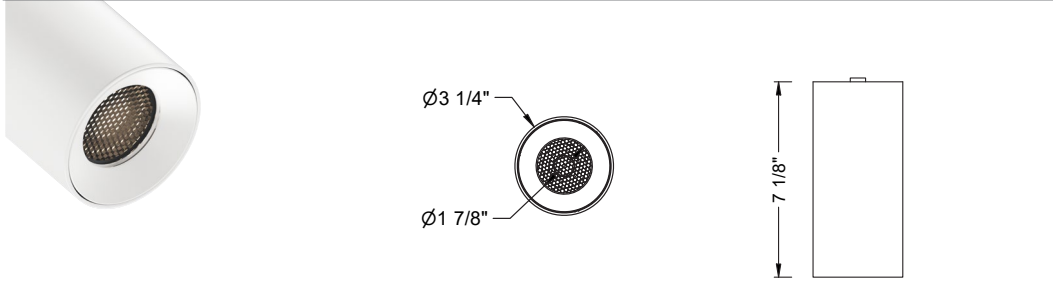
PIVOT FULCRUM



PROJECT INFORMATION		
JOB NAME		TYPE
ORDERING CODE		

ACCESSORIES

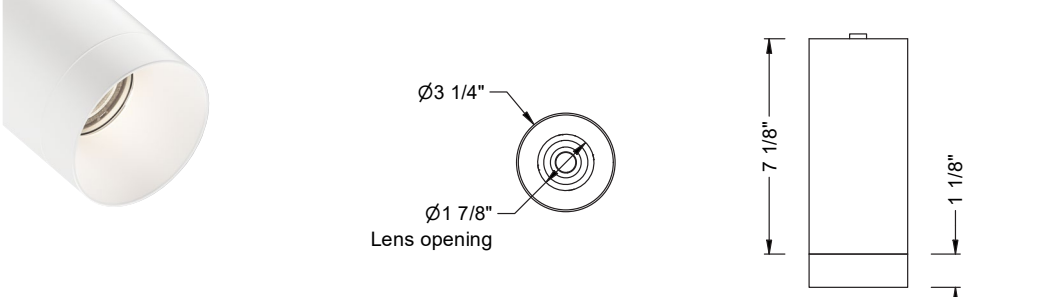
HONEYCOMB LOUVER



Accessories Ordering Codes^{1,2}

BDBK	barndoor, black (Cat. No. K20338BK)
SNTBK	snoot, black (Cat. No. K20336BK)
SNTWH	snoot, white (Cat. No. K20336WH)
SNTMC	snoot, matte chrome (Cat. No. K20336MC)
SHNTBK	shroud snoot, black (Cat. No. K20337BK)
SHNTWH	shroud snoot, white (Cat. No. K20337WH)
SHNTMC	shroud snoot, matte chrome (Cat. No. K20337MC)

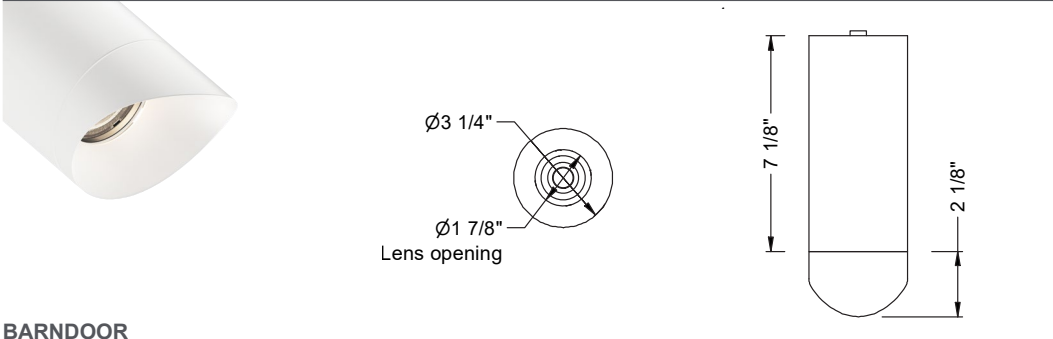
SNOOT



Lens Ordering Codes^{1,2}

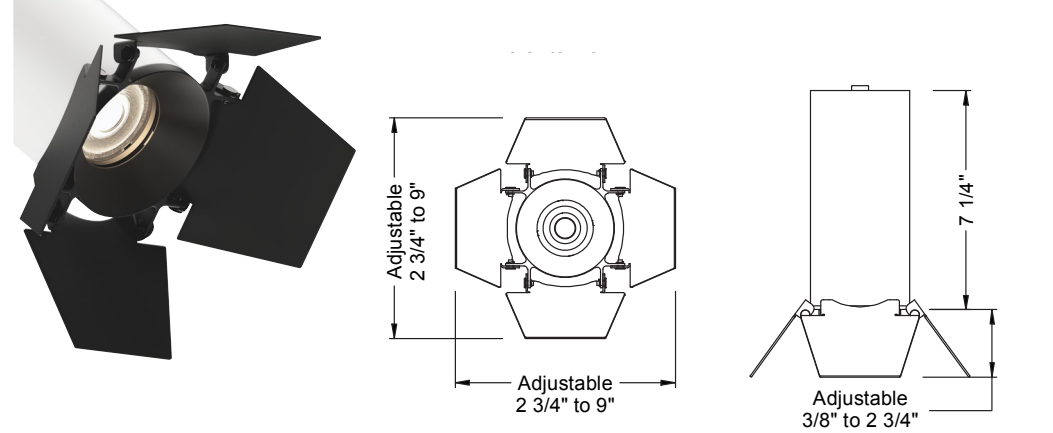
HCL	honeycomb louver (Cat. No. 81329)
E	elliptical lens, 30° X 60° (Cat. No. 74211-ELP)
SBL	smoothing beam lens (Cat. No. 74211-SBL)
DL	diffused lens (Cat. No. 74211)
BW	batwing lens (Cat. No. 74211-BW)
AB	asymmetric beam lens (Cat. No. 74211-AB)
HET	high efficiency textured lens, similar to Solite™ (Cat. No. 74211-HET)
CL	clear lens (Cat. No. 74211-CL)
CF-RD ³	color filter - red (Cat. No. 74288-RD)
CF-BL ³	color filter - blue (Cat. No. 74288-BL)
CF-GR ³	color filter - green (Cat. No. 74288-GR)
CF-AM ³	color filter - amber (Cat. No. 74288-AM)
BRT	bezel removal tool (Cat. No. 81639)

SHROUD SNOOT

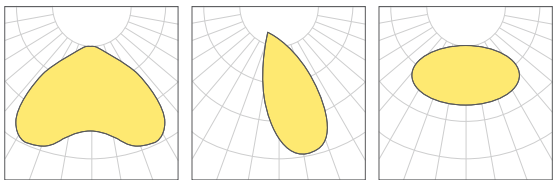


1. To order additional accessory or lens only use the catalog number.
2. Maximum 2pcs of media per fixture.
3. Maximum 1pcs of media per fixture.

BARNDOOR



LIGHT DISTRIBUTION



BATWING ASYMMETRIC ELLIPSE 30° X 60°