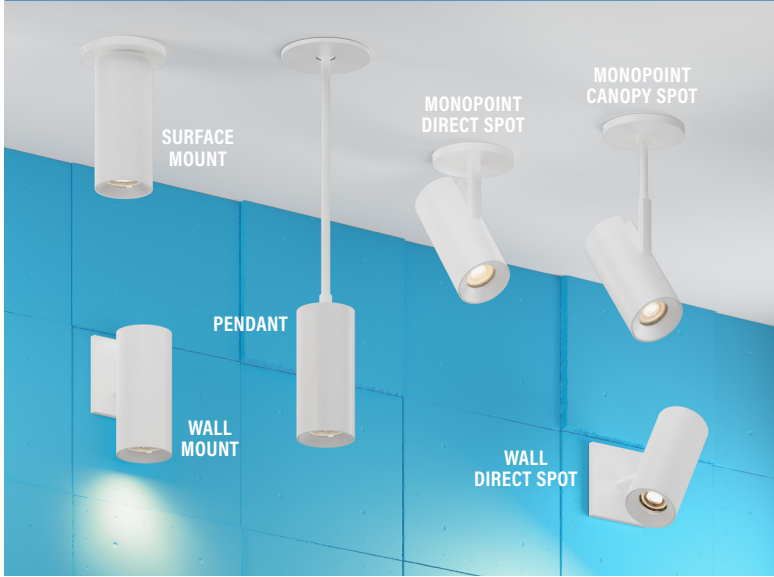


| PROJECT INFORMATION |  |      |
|---------------------|--|------|
| JOB NAME            |  | TYPE |
| ORDERING CODE       |  |      |

## LX PRO

### Wall & Ceiling Mount Standard White



| 25° - 50° BEAM<br>(Note: Specifications are subject to change without notice) |  |                |
|---|--|----------------|
| 14mm COB PERFORMANCE DATA   |  |                |
| LED LIGHT ENGINE  | NOMINAL DELIVERED LUMENS                                       | SYSTEM WATTAGE |
| 10LM  | 1300LM @30K/90CRI  | 11W            |
| 15LM  | 1540LM @30K/90CRI  | 13W            |
| 20LM  | 1780LM @30K/90CRI  | 14W            |
| 25LM  | 2270LM @30K/90CRI  | 18W            |
| 30LM  | 2720LM @30K/90CRI  | 22W            |
| 35LM  | 3140LM @30K/90CRI  | 26W            |
| 40LM  | 3560LM @30K/90CRI  | 31W            |
| Notes   | Delivered lumens based on 50D optic with no lens, (see page 2) |                |

| 12° BEAM<br>(Note: Specifications are subject to change without notice) |  |                |
|---|--|----------------|
| 6mm COB PERFORMANCE DATA  |  |                |
| LED LIGHT ENGINE  | NOMINAL DELIVERED LUMENS                                       | SYSTEM WATTAGE |
| 10LM  | 870LM @30K/90CRI   | 12W            |
| 15LM  | 1260LM @30K/90CRI  | 19W            |
| Notes   | Delivered lumens based on 12D optic with no lens, (see page 2) |                |

| 10° BEAM<br>(Note: Specifications are subject to change without notice) |  |                |
|---|--|----------------|
| 4.5mm COB PERFORMANCE DATA  |  |                |
| LED LIGHT ENGINE  | NOMINAL DELIVERED LUMENS                                       | SYSTEM WATTAGE |
| 10LM  | 1050LM @30K/90CRI  | 18W            |
| Notes   | Delivered lumens based on 10D optic with no lens, (see page 2) |                |

#### FEATURES

- Seamless casting with textured finish for clean aesthetics
- Thermally optimized for longevity
- 10° - 50° beam spread
- UGR < 19
- Micro slim canopy option at 1/4"-3/8" depth plus 1/2" diameter stem
- Glare control options, specialty optics, lensing, accessories and custom RAL finishes available

#### DIMMING AND CONTROLS

- Flicker free 0-10V dimming to 1%
- Leading & trailing edge (Triac/ELV) dimming to 1%
- DALI-2 (DT-6) dimming to 1%
- Casambi dimming to 1%
- DMX dim to zero

#### CONSTRUCTION

- Casted aluminum housing
- PMMA optics
- Machined aluminum canopy
- SVT pendant cord

#### LED

- Cree CMU (or equal) LED: SDCM: 2-step MacAdam Ellipse, Lumen Maintenance: L<sub>70</sub> > 66,000 hrs

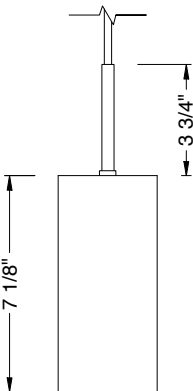
#### LISTING

- CSAus Listed to UL1598; cCSA Listed to CSA C22.2 #9.0
- Suitable for dry and damp locations
- 5 Year Limited warranty

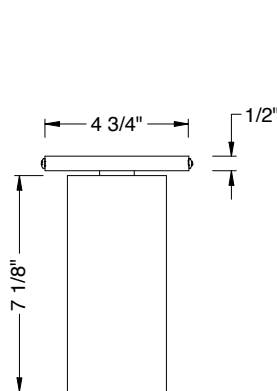
#### ELECTRICAL

- 120V-277V (Casambi, 0-10V, DALI-2 DT6, DMX)
- 120V (Triac / ELV)
- Power factor ≥ 0.9
- 2kV driver input surge protection

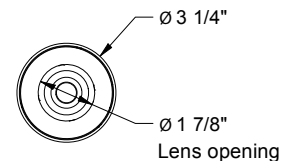
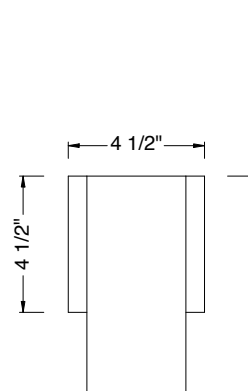
#### PENDANT



#### SURFACE MOUNT



#### WALL MOUNT



| PROJECT INFORMATION |  |      |
|---------------------|--|------|
| JOB NAME            |  | TYPE |
| ORDERING CODE       |  |      |

## 10°- 50° BEAM ORDERING CODE

| SERIES  | LX                     | LX  |                                 |       |       |       |       |      |      |      |      |
|---|------------------------|---|---------------------------------|-------|-------|-------|-------|------|------|------|------|
| TYPE  | PRO                    | performance cylinder                              |                                 |       |       |       |       |      |      |      |      |
| LED   | SW                     | standard white                                    |                                 |       |       |       |       |      |      |      |      |
| DELIVERED LUMENS  | 10LM                   | 1300 lm   |                                 |       |       |       |       |      |      |      |      |
|   | 15LM                   | 1540 lm   |                                 |       |       |       |       |      |      |      |      |
|   | 20LM                   | 1780 lm   |                                 |       |       |       |       |      |      |      |      |
|   | 25LM                   | 2270 lm   |                                 |       |       |       |       |      |      |      |      |
|   | 30LM                   | 2720 lm   |                                 |       |       |       |       |      |      |      |      |
|   | 35LM                   | 3140 lm   |                                 |       |       |       |       |      |      |      |      |
|   | 40LM                   | 3560 lm   |                                 |       |       |       |       |      |      |      |      |
| Standard Configuration: 3000K 50D NL  |                        |   |                                 |       |       |       |       |      |      |      |      |
| Calculated Delivered Lumens = [Delivered Lumen Value] x [CCT Multiplier] x [Optic Multiplier] x [Lens Multiplier] |                        |   |                                 |       |       |       |       |      |      |      |      |
| CCT   | 27K                    | 2700K   | CCT                             | 2700K | 3000K | 3500K | 4000K |      |      |      |      |
|   | 30K                    | 3000K   | CRI                             | 90+   | 97+   | 90+   | 97+   | 90+  | 97+  |      |      |
|   | 35K                    | 3500K   | CCT MULTIPLIER FOR LUMEN OUTPUT | 0.96  | 0.92  | 1.00  | 0.96  | 1.01 | 0.98 | 1.02 | 0.96 |
|   | 40K                    | 4000K   |                                 |       |       |       |       |      |      |      |      |
|   |                        |   |                                 |       |       |       |       |      |      |      |      |
| CRI   | 90                     | 90 CRI  |                                 |       |       |       |       |      |      |      |      |
|   | 98 <sup>1</sup>        | 98 CRI  |                                 |       |       |       |       |      |      |      |      |
| OPTIC & LM MULTIPLIER<br>SEE PAGE 4, 5  | 10D <sup>2</sup>       | 10 degrees  | (0.81)                          |       |       |       |       |      |      |      |      |
|   | 12D <sup>3</sup>       | 12 degrees  | (0.90)                          |       |       |       |       |      |      |      |      |
|   | 25D                    | 25 degrees  | (0.98)                          |       |       |       |       |      |      |      |      |
|   | 30D                    | 30 degrees  | (0.94)                          |       |       |       |       |      |      |      |      |
|   | 35D                    | 35 degrees  | (0.90)                          |       |       |       |       |      |      |      |      |
|   | 50D                    | 50 degrees  | (1.00)                          |       |       |       |       |      |      |      |      |
|   | DZ1 <sup>4</sup>       | dynamic zoom 14° - 31°                            | (0.90)                          |       |       |       |       |      |      |      |      |
| DZ2 <sup>5</sup>  | dynamic zoom 21° - 40° | (0.89)  |                                 |       |       |       |       |      |      |      |      |
| LENS<br>SEE PAGE 3  | NL                     | no lens   | (1.00)                          |       |       |       |       |      |      |      |      |
|   | CL                     | clear lens  | (0.95)                          |       |       |       |       |      |      |      |      |
|   | DL                     | diffused lens                                     | (0.92)                          |       |       |       |       |      |      |      |      |
|   | HET                    | high efficiency textured lens, similar to Solite™ | (0.94)                          |       |       |       |       |      |      |      |      |
|   | SBL                    | smoothing beam lens                               | (0.95)                          |       |       |       |       |      |      |      |      |
|   | HCL                    | honeycomb louver                                  | (0.74)                          |       |       |       |       |      |      |      |      |
|   | E                      | elliptical lens, 30° X 60°                        | (0.88)                          |       |       |       |       |      |      |      |      |
|   | AB                     | asymmetric beam lens                              | (0.85)                          |       |       |       |       |      |      |      |      |
|   | BW                     | batwing lens                                      | (0.79)                          |       |       |       |       |      |      |      |      |
| Maximum 2pcs of media per fixture.  |                        |   |                                 |       |       |       |       |      |      |      |      |
| ACCESSORY<br>SEE PAGE 10  | NA                     | no accessory                                      |                                 |       |       |       |       |      |      |      |      |
|   | BD <sup>6</sup>        | barndoor, black                                   |                                 |       |       |       |       |      |      |      |      |
|   | SNT                    | snoot   |                                 |       |       |       |       |      |      |      |      |
|   | SHNT                   | shroud snoot                                      |                                 |       |       |       |       |      |      |      |      |
| FINISH<br>SEE PAGE 3  | BK                     | black   |                                 |       |       |       |       |      |      |      |      |
|   | WH                     | white   |                                 |       |       |       |       |      |      |      |      |
|   | MC                     | matte chrome                                      |                                 |       |       |       |       |      |      |      |      |
|   | CC <sup>7</sup>        | custom color, consult factory for details         |                                 |       |       |       |       |      |      |      |      |
| When choosing CC option, DZ1/DZ2 finish (BK, WH, MC) must be specified.<br>Example: DZ1BK                         |                        |   |                                 |       |       |       |       |      |      |      |      |

## 10°- 50° BEAM ORDERING CODE

|                                   |   |  |
|-----------------------------------|---|--|
| MOUNTING OPTIONS<br>SEE PAGE 6, 7 | W   | wall mount   |
|                                   | S   | surface mount  |
|                                   | JCOV-S  | conduit junction box cover with knockouts, surface pendant, 108" flexible cord |
|                                   | P   | conduit junction box cover with knockouts, pendant cord field adjustable       |
|                                   | JCOV-P  | conduit junction box cover with knockouts, pendant cord field adjustable       |
|                                   | RP  | rigid pendant 4' stem with swivel stem/canopy                                  |
|                                   | RP5   | rigid pendant 5' stem with swivel stem/canopy                                  |
|                                   | RP6   | rigid pendant 6' stem with swivel stem/canopy                                  |
|                                   | RP8   | rigid pendant 8' stem with swivel stem/canopy                                  |
|                                   | RP10  | rigid pendant 10' stem with swivel stem/canopy                                 |
|                                   | RPF2  | rigid pendant 2' with fixed stem/canopy, not field cuttable                    |
|                                   | RPF3  | rigid pendant 3' with fixed stem/canopy, not field cuttable                    |
|                                   | RPF4  | rigid pendant 4' with fixed stem/canopy, not field cuttable                    |
|                                   | RPF6  | rigid pendant 6' with fixed stem/canopy, not field cuttable                    |
| JCOV-RPFX                         | conduit junction box cover with knockouts, complete X code with available lengths |  |
| MP                                | monopoint canopy spot 24" field cuttable to 1"                                    |  |
| JCOV-MP                           | conduit junction box cover with knockouts, monopoint 24" field cuttable to 1"     |  |
| MPD                               | monopoint direct spot mounts to ceiling   |  |
| WDS                               | wall direct spot  |  |
| VOLTAGE                           | 120   | 120V   |
|                                   | UNV   | 120V-277V  |
| DIMMING                           | DIM10   | 0-10V dimming to 1%  |
|                                   | DALIZ   | DALI-2 (DT-6) dimming to 1%  |
|                                   | DMXZ <sup>8</sup>   | DMX dim to zero  |
|                                   | ELV1 <sup>9</sup>   | leading & trailing edge (Triac/ELV) dimming to 1%                              |
|                                   | CAS   | Casambi control with flicker free 1% dimming                                   |

## YOUR COMPLETED ORDERING CODE

|  |
|--|
| Follow the steps to specify your fixture, example:                           |
| <b>LX - PRO - SW - 40LM - 30K - 90 - 50D - CL - NA - WH - RP - UNV - CAS</b> |

## NOTES

- 98CRI not available in 40LM and 10D/12D/DZ1 optics.
- 10D available in 10LM.
- 12D available in 10LM/15LM.
- DZ1 available in 10LM/15LM. Cannot be used with accessories or lenses.
- DZ2 available in all lumen packages. Cannot be used with accessories or lenses.
- Barndoor only available in standard BK finish.
- Custom finish can be applied to specific parts of fixture: Housing, stem, bezel, mounting and accessories. Custom set up fee plus minimum quantity required per color.
- DMXZ not available with P mounting option.
- ELV1 available in 120V.

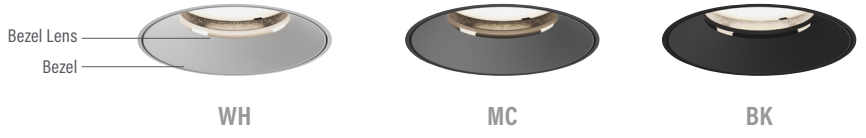
\* Slim canopy with rigid stem connection shall be used in jurisdictions that DO NOT require light fixtures to freely swing in lateral directions, complying with local and national building codes.

\* RP mounting with swivel is recommended to be installed on a 4in square or 4in deep regress 2-1/8" octagonal junction box.

| PROJECT INFORMATION |  |      |
|---------------------|--|------|
| JOB NAME            |  | TYPE |
| ORDERING CODE       |  |      |

## BEZEL OPTIONS

### BEZEL COLORS



## OPTICAL OPTIONS

- UGR calculation based on CIE 117-1995; room size: 4H X 8H, reflectance: 70/50/20;
- UGR calculation based on 15LM fixtures, unless otherwise noted.



| OPTIC | BEAM ANGLE | UGR  |
|-------|------------|------|
| 12D   | 12         | ≤5   |
| 25D   | 25.4       | 9.2  |
| 30D   | 27.8       | 11.8 |
| 35D   | 31.7       | 13   |
| 50D   | 44.5       | 16.8 |



| OPTIC | BEAM ANGLE | UGR  |
|-------|------------|------|
| 10D1  | 10.2       | 6.5  |
| 12D   | 12         | 6.6  |
| 25D   | 26         | 13.4 |
| 30D   | 29.5       | 16   |
| 35D   | 34.8       | 17.2 |
| 50D   | 52         | 19.4 |



| OPTIC | BEAM ANGLE | UGR  |
|-------|------------|------|
| 10D1  | 10.4       | 7.4  |
| 12D   | 12         | 7.3  |
| 25D   | 26         | 13.8 |
| 30D   | 29.5       | 16.4 |
| 35D   | 34.8       | 16.9 |
| 50D   | 51         | 18.9 |



| OPTIC | BEAM ANGLE | UGR  |
|-------|------------|------|
| 25D   | 40.9       | 21.4 |
| 30D   | 44.5       | 22.2 |
| 35D   | 48.3       | 22.9 |
| 50D   | 59         | 23.9 |



| OPTIC | BEAM ANGLE | UGR  |
|-------|------------|------|
| 10D1  | 17.4       | 10   |
| 12D   | 18.5       | 10.7 |
| 25D   | 28.9       | 15.7 |
| 30D   | 32.6       | 18   |
| 35D   | 37         | 18.7 |
| 50D   | 52         | 20.3 |



| OPTIC | BEAM ANGLE | UGR  |
|-------|------------|------|
| 10D1  | 11.1       | 8.2  |
| 12D   | 12.8       | 8.1  |
| 25D   | 26.4       | 14.4 |
| 30D   | 29.8       | 17   |
| 35D   | 35.3       | 17.6 |
| 50D   | 52.2       | 19.5 |



| OPTIC | BEAM ANGLE | UGR   |
|-------|------------|-------|
| 25D   | 40x65      | 20/25 |
| 30D   | 44x68      | 21/26 |
| 35D   | 47x71      | 22/26 |
| 50D   | 57x83      | 23/27 |



| OPTIC | BEAM ANGLE | UGR   |
|-------|------------|-------|
| 25D   | 40x75      | 22/26 |
| 30D   | 44x78      | 23/26 |
| 35D   | 48x81      | 23/26 |
| 50D   | 51x88      | 23/27 |



| OPTIC | BEAM ANGLE | UGR |
|-------|------------|-----|
| 25D   | 30         | NA  |
| 30D   | 35         | NA  |
| 35D   | 39         | NA  |
| 50D   | 52         | NA  |

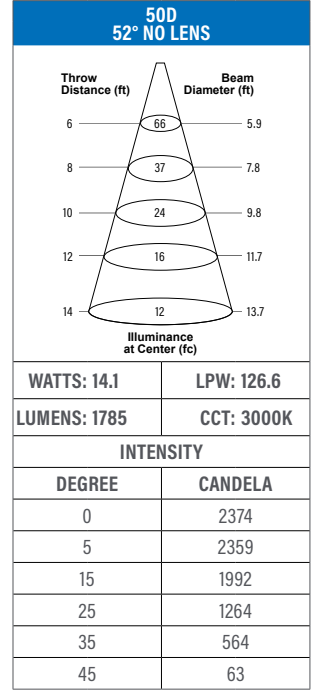
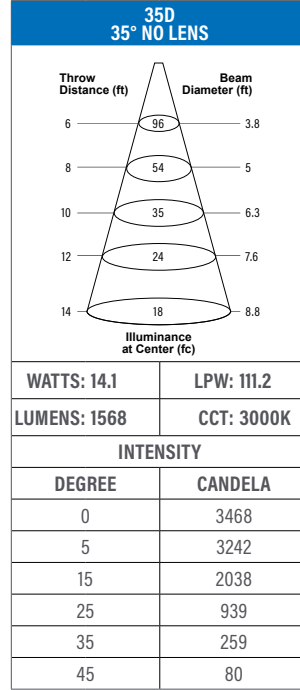
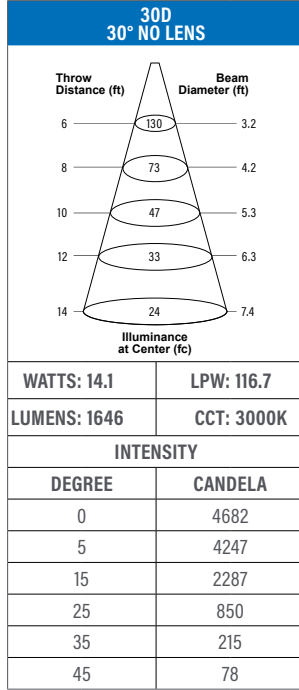
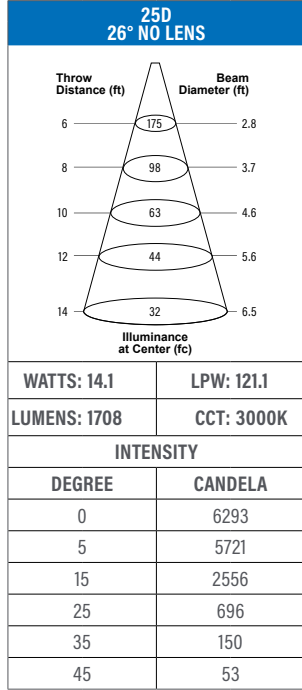
| PROJECT INFORMATION |  |      |
|---------------------|--|------|
| JOB NAME            |  | TYPE |
| ORDERING CODE       |  |      |

## PHOTOMETRIC DATA

### 20LM CCT MULTIPLIERS

|       | 90CRI | 98CRI |
|-------|-------|-------|
| 2700K | 0.96  | 0.92  |
| 3000K | 1     | 0.96  |
| 3500K | 1.01  | 0.98  |
| 4000K | 1.02  | 0.96  |

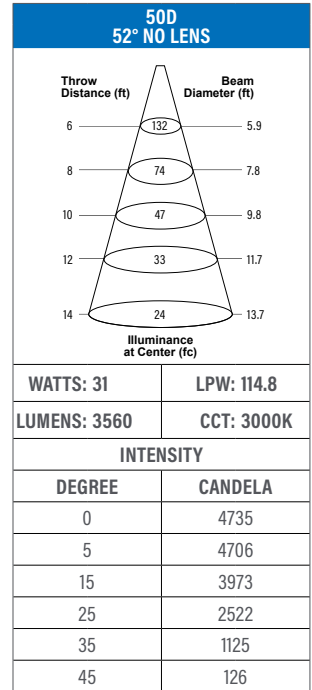
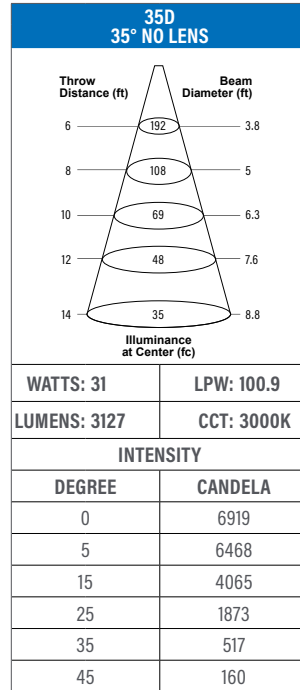
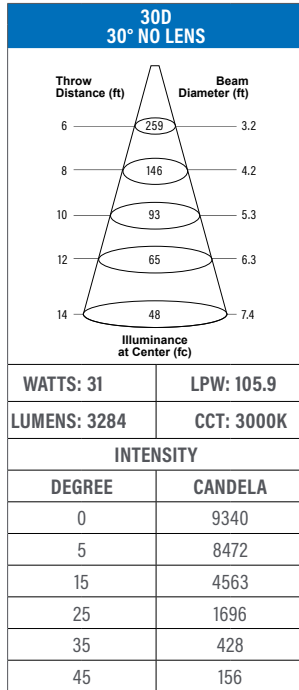
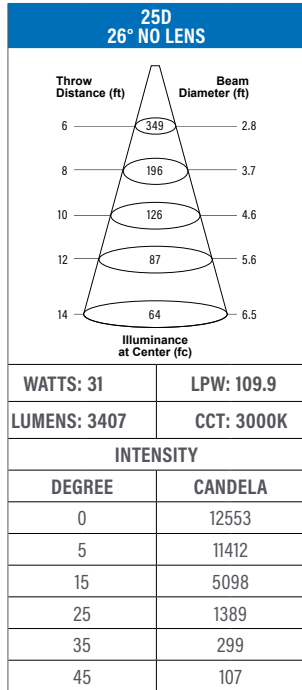
FC Formula = CBCP / Distance<sup>2</sup>



### 40LM CCT MULTIPLIERS

|       | 90CRI | 98CRI |
|-------|-------|-------|
| 2700K | 0.96  | 0.92  |
| 3000K | 1     | 0.96  |
| 3500K | 1.01  | 0.98  |
| 4000K | 1.02  | 0.96  |

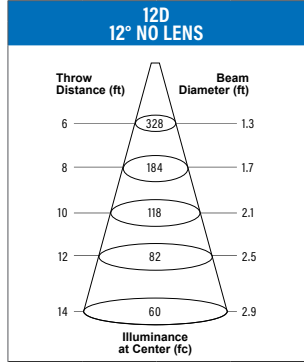
FC Formula = CBCP / Distance<sup>2</sup>



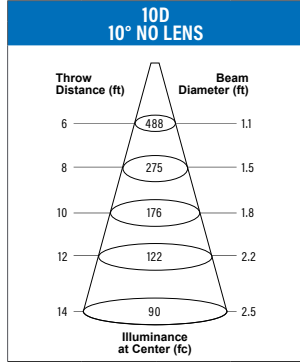
| PROJECT INFORMATION |  |      |
|---------------------|--|------|
| JOB NAME            |  | TYPE |
| ORDERING CODE       |  |      |

## PHOTOMETRIC DATA

| 10LM CCT MULTIPLIERS                      |       |
|---|-------|
|   | 90CRI |
| 2700K                                     | 0.96  |
| 3000K                                     | 1     |
| 3500K                                     | 1.03  |
| 4000K                                     | 1.06  |
| FC Formula = CBCP / Distance <sup>2</sup> |       |



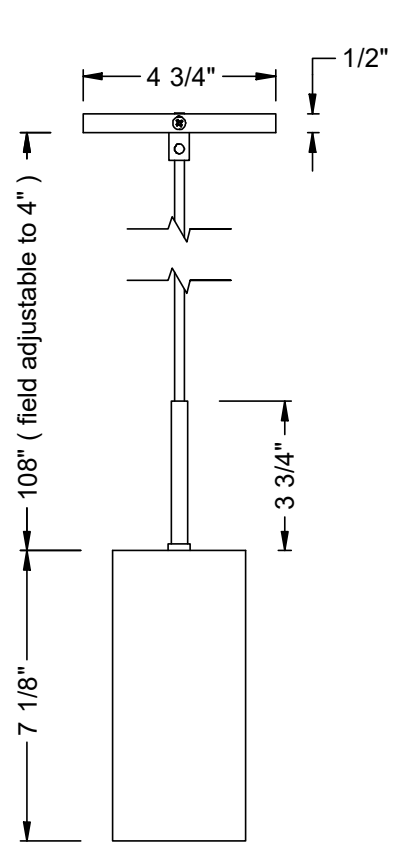
| WATTS: 11.5 | LPW: 76.5  |
|-------------|------------|
| LUMENS: 880 | CCT: 3000K |
| INTENSITY   |            |
| DEGREE      | CANDELA    |
| 0           | 11804      |
| 5           | 7177       |
| 15          | 870        |
| 25          | 106        |
| 35          | 34         |
| 45          | 12         |



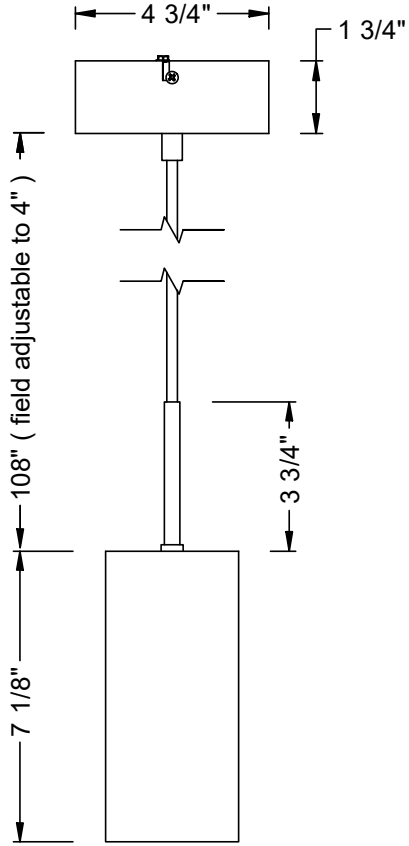
| WATTS: 17.7  | LPW: 59.3  |
|--------------|------------|
| LUMENS: 1050 | CCT: 3000K |
| INTENSITY    |            |
| DEGREE       | CANDELA    |
| 0            | 17586      |
| 5            | 9174       |
| 15           | 899        |
| 25           | 115        |
| 35           | 38         |
| 45           | 14         |

| PROJECT INFORMATION |  |      |
|---------------------|--|------|
| JOB NAME            |  | TYPE |
| ORDERING CODE       |  |      |

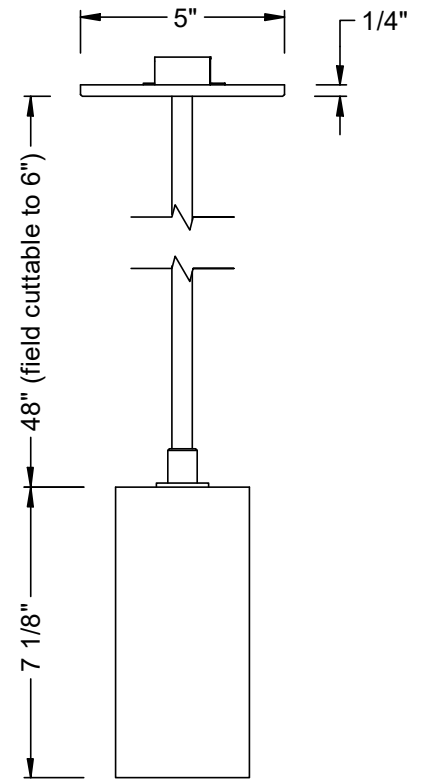
## MOUNTING OPTIONS



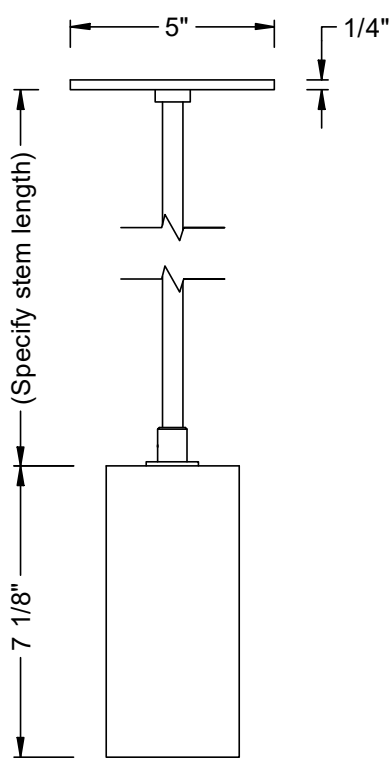
PENDANT  
ELV1 / CAS



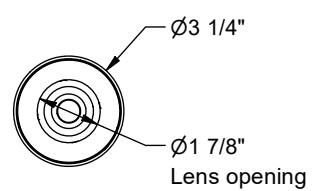
PENDANT  
DIM10



RP SWIVEL  
DIM10 / ELV1 / CAS / DMXZ

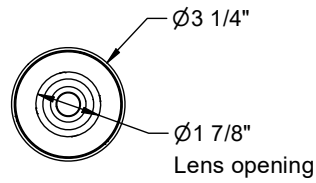
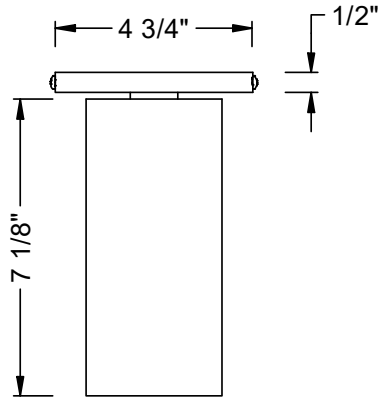


RPF FIXED  
DIM10 / ELV1 / CAS / DMXZ

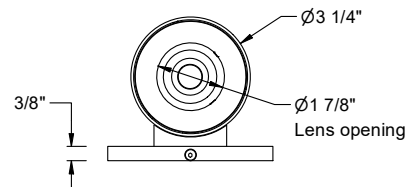
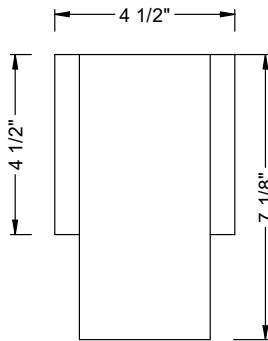
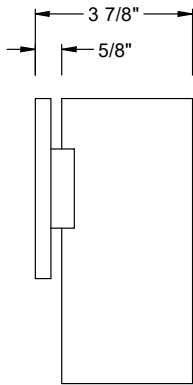


| PROJECT INFORMATION |  |      |
|---------------------|--|------|
| JOB NAME            |  | TYPE |
| ORDERING CODE       |  |      |

## MOUNTING OPTIONS



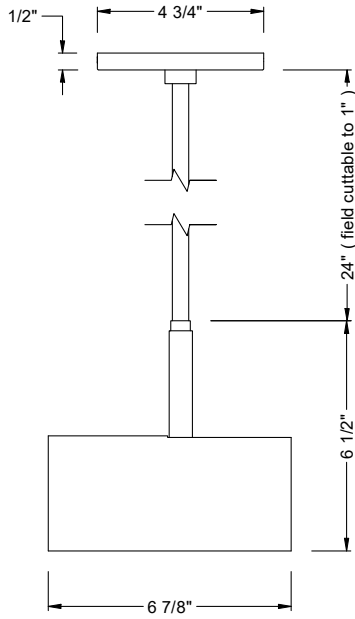
**SURFACE MOUNT**  
DIM10 / ELV1 / CAS / DMXZ



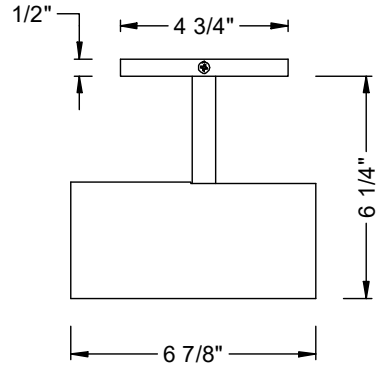
**WALL MOUNT**  
DIM10 / ELV1 / CAS / DMXZ

| PROJECT INFORMATION |  |      |
|---------------------|--|------|
| JOB NAME            |  | TYPE |
| ORDERING CODE       |  |      |

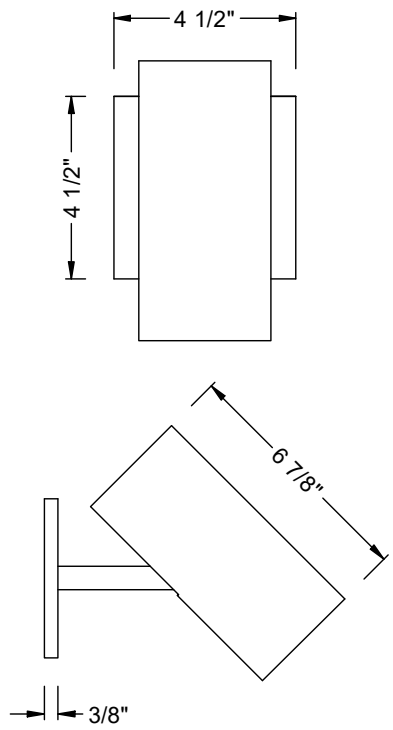
## MOUNTING OPTIONS



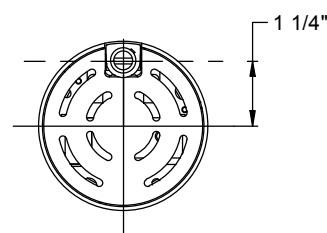
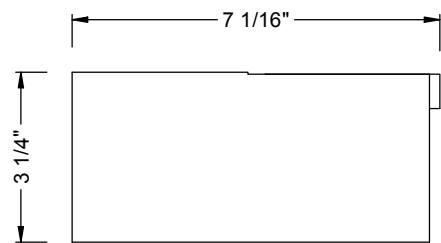
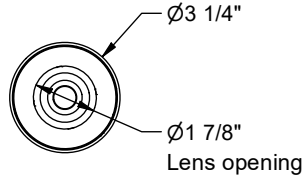
**MONOPOINT**  
DIM10 / ELV1 / CAS / DMXZ



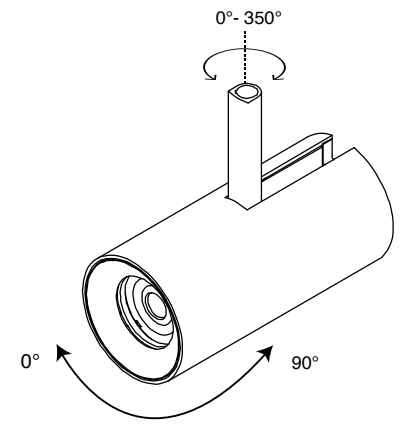
**MONOPOINT DIRECT**  
DIM10 / ELV1 / CAS / DMXZ  
*Monopoint direct can be mounted on ceiling only*



**WALL DIRECT SPOT**  
DIM10 / ELV1 / CAS / DMXZ



**PIVOT FULCRUM**



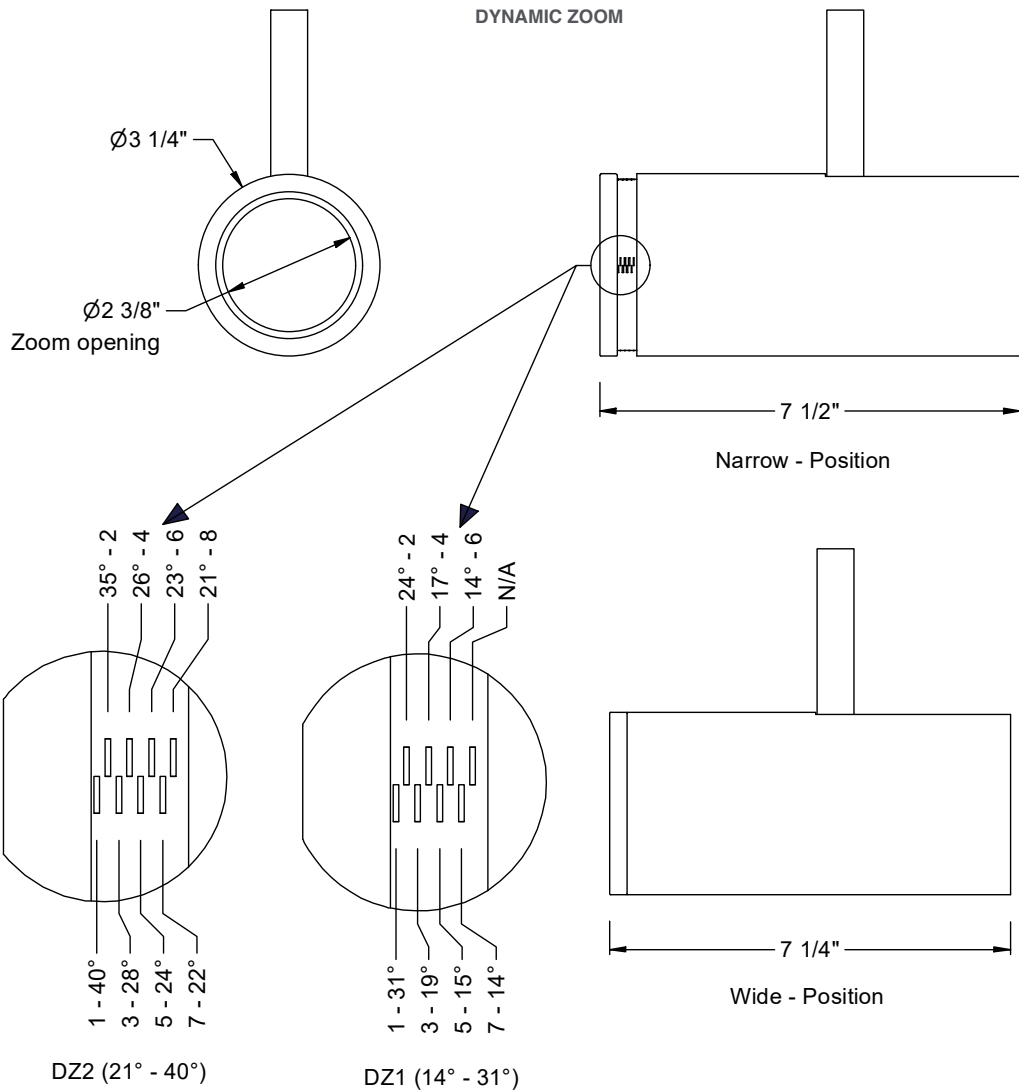


|               |  |      |  |
|---------------|--|------|--|
| JOB NAME      |  | TYPE |  |
| ORDERING CODE |  |      |  |

**DYNAMIC ZOOM - SPOT**



| LX MECHANICAL ZOOM   |          |       |        |      |
|--|----------|-------|--------|------|
| SW (LED)   |          |       |        |      |
| ZOOM   | POSITION | CBCP  | LUMENS | BEAM |
| DZ1<br>(6MM COB<br>PERFORMANCE<br>BASED ON 20LM<br>PACKAGE)  | 1        | 5360  | 1425   | 31   |
|  | 2        | 7790  | 1390   | 24   |
|  | 3        | 11070 | 1370   | 19   |
|  | 4        | 14240 | 1330   | 17   |
|  | 5        | 15920 | 1290   | 15   |
|  | 6        | 15990 | 1230   | 14   |
|  | 7        | 15580 | 1220   | 14   |
| ZOOM   | POSITION | CBCP  | LUMENS | BEAM |
| DZ2<br>(14MM COB<br>PERFORMANCE<br>BASED ON 40LM<br>PACKAGE) | 1        | 5840  | 3090   | 40   |
|  | 2        | 7360  | 3080   | 35   |
|  | 3        | 9960  | 3050   | 28   |
|  | 4        | 11160 | 3010   | 26   |
|  | 5        | 12670 | 2910   | 24   |
|  | 6        | 13160 | 2830   | 23   |
|  | 7        | 13250 | 2700   | 22   |
|  | 8        | 12860 | 2570   | 21   |



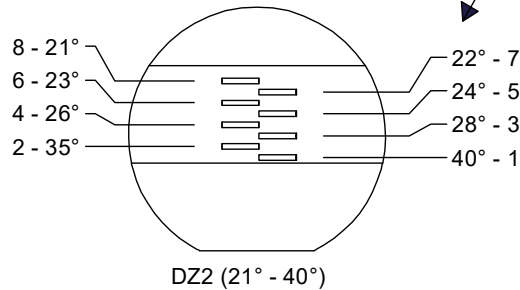
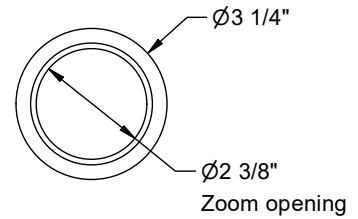
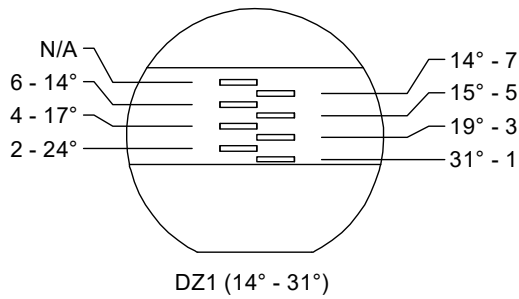
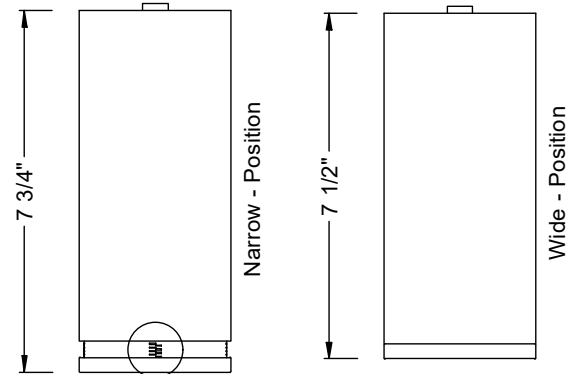
| PROJECT INFORMATION |  |      |
|---------------------|--|------|
| JOB NAME            |  | TYPE |
| ORDERING CODE       |  |      |

## DYNAMIC ZOOM - PENDANT



| LX MECHANICAL ZOOM   |          |       |        |      |
|--|----------|-------|--------|------|
| SW (LED)   |          |       |        |      |
| ZOOM   | POSITION | CBCP  | LUMENS | BEAM |
| DZ1<br>(6MM COB<br>PERFORMANCE<br>BASED ON 20LM<br>PACKAGE)  | 1        | 5360  | 1425   | 31   |
|  | 2        | 7790  | 1390   | 24   |
|  | 3        | 11070 | 1370   | 19   |
|  | 4        | 14240 | 1330   | 17   |
|  | 5        | 15920 | 1290   | 15   |
|  | 6        | 15990 | 1230   | 14   |
|  | 7        | 15580 | 1220   | 14   |
| ZOOM   | POSITION | CBCP  | LUMENS | BEAM |
| DZ2<br>(14MM COB<br>PERFORMANCE<br>BASED ON 40LM<br>PACKAGE) | 1        | 5840  | 3090   | 40   |
|  | 2        | 7360  | 3080   | 35   |
|  | 3        | 9960  | 3050   | 28   |
|  | 4        | 11160 | 3010   | 26   |
|  | 5        | 12670 | 2910   | 24   |
|  | 6        | 13160 | 2830   | 23   |
|  | 7        | 13250 | 2700   | 22   |
|  | 8        | 12860 | 2570   | 21   |

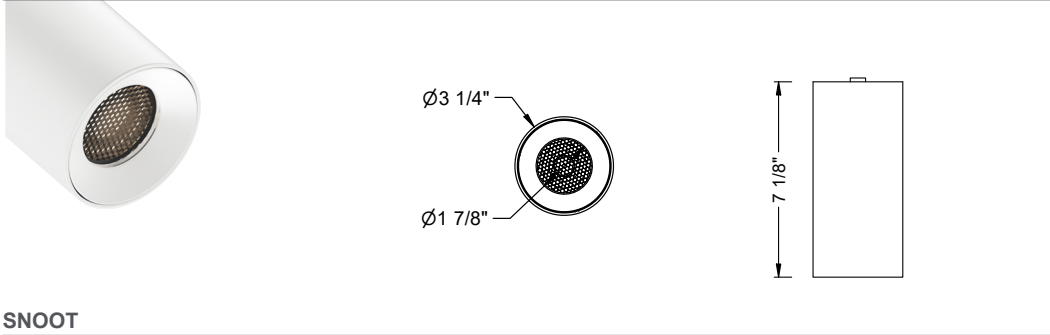
### DYNAMIC ZOOM



| PROJECT INFORMATION |  |      |
|---------------------|--|------|
| JOB NAME            |  | TYPE |
| ORDERING CODE       |  |      |

## ACCESSORIES

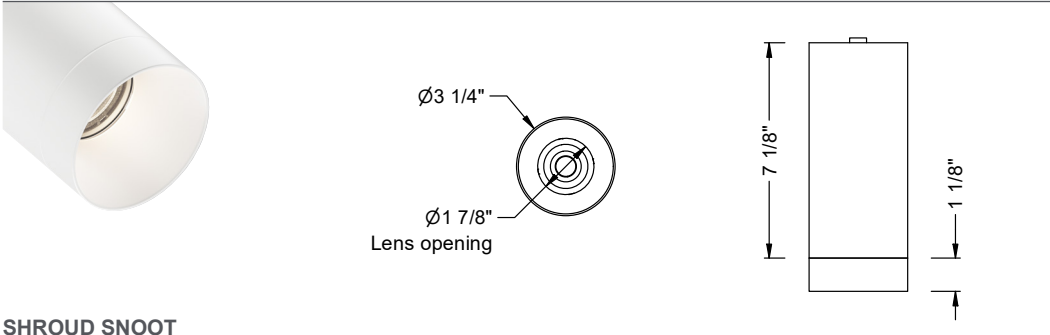
### HONEYCOMB LOUVER



### Accessories Ordering Codes<sup>1,2</sup>

|        |  |
|--------|--|
| BDBK   | barndoor, black (Cat. No. K20338BK)            |
| SNTBK  | snoot, black (Cat. No. K20336BK)               |
| SNTWH  | snoot, white (Cat. No. K20336WH)               |
| SNTMC  | snoot, matte chrome (Cat. No. K20336MC)        |
| SHNTBK | shroud snoot, black (Cat. No. K20337BK)        |
| SHNTWH | shroud snoot, white (Cat. No. K20337WH)        |
| SHNTMC | shroud snoot, matte chrome (Cat. No. K20337MC) |

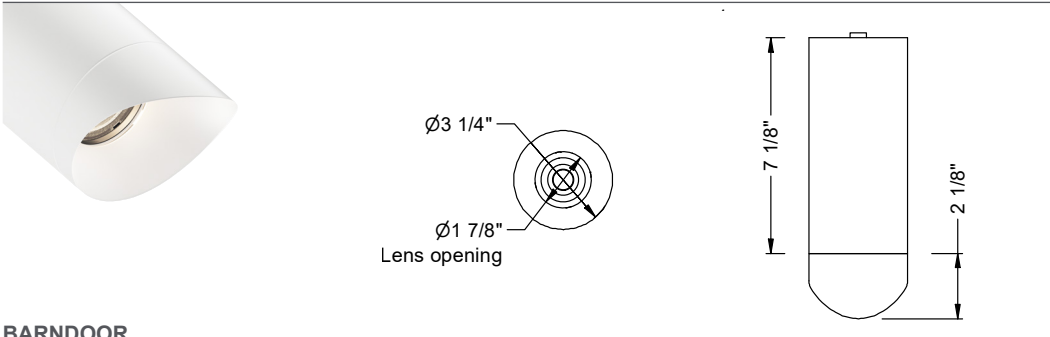
### SNOOT



### Lens Ordering Codes<sup>1,2</sup>

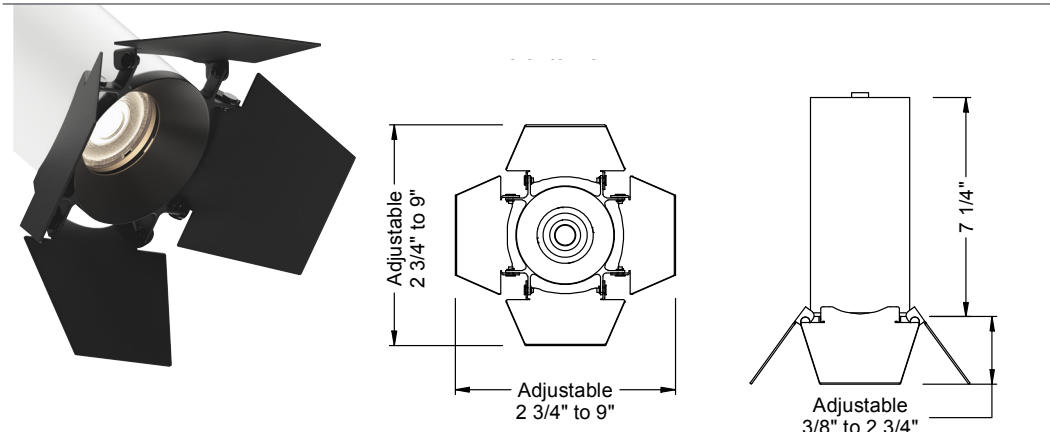
|                    |  |
|--------------------|--|
| HCL                | honeycomb louver (Cat. No. 81329)                                      |
| E                  | elliptical lens, 30° X 60° (Cat. No. 74211-ELP)                        |
| SBL                | smoothing beam lens (Cat. No. 74211-SBL)                               |
| DL                 | diffused lens (Cat. No. 74211)   |
| BW                 | batwing lens (Cat. No. 74211-BW)                                       |
| AB                 | asymmetric beam lens (Cat. No. 74211-AB)                               |
| HET                | high efficiency textured lens, similar to Solite™ (Cat. No. 74211-HET) |
| CL                 | clear lens (Cat. No. 74211-CL)   |
| CF-RD <sup>3</sup> | color filter - red (Cat. No. 74288-RD)                                 |
| CF-BL <sup>3</sup> | color filter - blue (Cat. No. 74288-BL)                                |
| CF-GR <sup>3</sup> | color filter - green (Cat. No. 74288-GR)                               |
| CF-AM <sup>3</sup> | color filter - amber (Cat. No. 74288-AM)                               |
| BRT                | bezel removal tool (Cat. No. 81639)                                    |

### SHROUD SNOOT

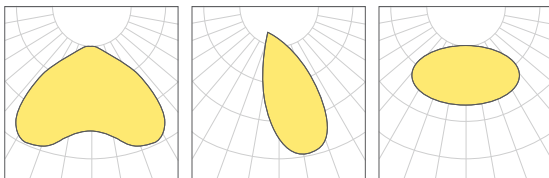


1. To order additional accessory or lens only use the catalog number.
2. Maximum 2pcs of media per fixture.
3. Maximum 1pcs of media per fixture.

### BARNDOOR



## LIGHT DISTRIBUTION



BATWING

ASYMMETRIC

ELLIPSE 30° X 60°