

LX SERIES

Cylinder Pendant Mount Standard White



BK

DESCRIPTION

- LX is a versatile series of performance spec-grade spots and cylinders. LX is rich in technology offering the best-in-class static and dynamic LED components, premium optics and dimming controls. Glare accessories and specialty optics are offered for all variations. Several Mounting options include nine track systems, monopoint spots and pendants, surface mount and conduit j-box cover with knockouts for open ceiling applications. It is offered in a fine detailed matte finish in black and white.

HOUSING

- Casted aluminum housing in textured: black and white.
- Consult factory for custom finishes.

MOUNTING

- RP mounting option can be mounted on $\leq 45^\circ$ sloped ceiling (fixture provided with stem through wiring). Consult factory for custom pendant lengths.
- RPS mounting in fixed stem with multiple length offerings.
- Pendant mount with field adjustable flexible cord.
- Pendant mount to exposed junction box with JCOV mount.

LISTING

- CSAus Listed to 1598 (suitable for dry and damp locations)
- cCSA Listed to CSA C22.2 #9.0

LED INFO

- Cree CMT (or equal) LED: SDCM: 2-step MacAdam Ellipse, Lumen Maintenance: $L_{70} > 49,500$ hrs

PROJECT INFORMATION			
JOB NAME		TYPE	
ORDERING CODE			

ORDERING CODE

SERIES	LX							
TYPE	35							
LED	SW	standard white						
DELIVERED LUMENS	10LM	990 lm, CBCP 17,010						
	15LM	1250 lm, CBCP 9,560						
	20LM	1730 lm, CBCP 12,290						
	25LM	2120 lm, CBCP 7,210						
	30LM	2510 lm, CBCP 8,530						
	35LM	2990 lm, CBCP 10,060						
	40LM	3360 lm, CBCP 11,170						
Calculated Delivered Lumens = [Delivered Lumen Value] x [CCT Multiplier] x [Optic Multiplier] Standard Configuration: 3000K 60D lumens, CBCP narrow beam option								
CCT	27K	2700K	CCT	2700K	3000K	3500K	4000K	5000K
	30K	3000K						
	35K	3500K	CCT MULTIPLIER FOR LUMEN OUTPUT	0.96	1	1.01	1.03	1.04
	40K	4000K						
	50K	5000K						
CRI	90	90 CRI						
OPTICS & LM MULTIPLIER	10D ¹	10 degrees (1.00)						
	15D ²	15 degrees (1.00)						
	25D	25 degrees (0.99)						
	45D	45 degrees (0.97)						
	60D	60 degrees (1.00)						
	DZ1 ⁶	dynamic zoom 19° - 35° (0.92)						
	DZ2 ⁷	dynamic zoom 24° - 40° (0.89)						
LV ³	LensVector dynamic beam control 10° - 60° (0.80)							
VOLTAGE	UNV	120V-277V						
DIMMING	CAS	Casambi Bluetooth control with flicker free 1% dimming						
	DIM10	0-10V dimming to 1%						
	DMX5	DMX dim to zero						
	ELV1 ⁴	leading & trailing edge (Triac/ELV) dimming to 1%						
MOUNTING OPTIONS	P	pendant						
	RP	rigid pendant 4' stem with swivel stem/canopy						
	RPF2	rigid pendant 2' with fixed stem/canopy, not field cuttable						
	RPF3	rigid pendant 3' with fixed stem/canopy, not field cuttable						
	RPF4	rigid pendant 4' with fixed stem/canopy, not field cuttable						
	RPF6	rigid pendant 6' with fixed stem/canopy, not field cuttable						
JCOV-XX	conduit junction box cover with knockouts, complete XX code with desired pendant mount							
FINISH	BK	black						
	WH	white						
ACCESSORIES	See the last page for details.							

ORDERING CODE

Follow the steps to specify your fixture, example:
LX - 35 - SW - 40LM - 30K - 90 - 25D - UNV - DIM10 - RP - WH

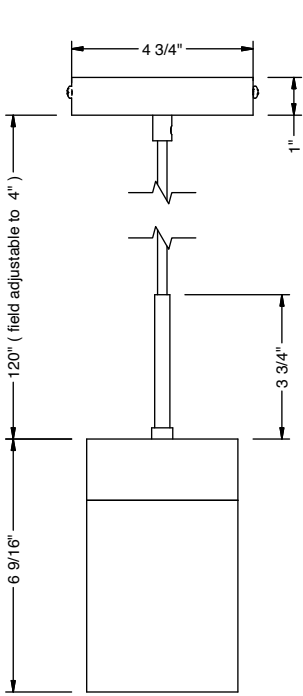
SW (LED)	POWER	
	DELIVERED LM	W (90 CRI)
990	10	99
1250	14	89
1730	18	96
2120	24	88
2510	29	87
2990	36	83
3360	42	80

NOTES

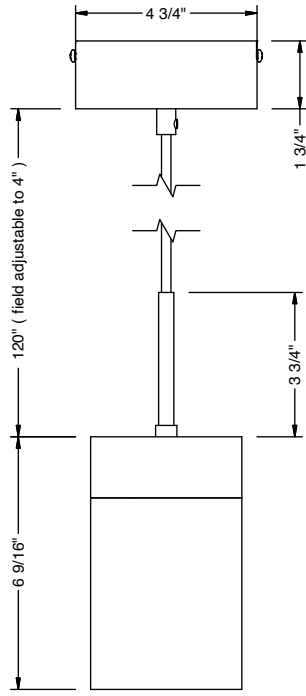
- 10D available in 10LM only.
- 15D available in 10LM, 15LM and 20LM only.
- LV available in 10LM with Casambi and DMX dimming only. Length of fixture increases by 1-1/8".
- ELV/Triac available in 120V only.
- DMX available only in RP and RPS.
- Standard configuration: 3000K at max. 20LM. Only compatible with Snoot and Shroud accessories.
- Standard configuration: 3000K at max. 35LM. Only compatible with Snoot and Shroud accessories.

JOB NAME		TYPE	
ORDERING CODE			

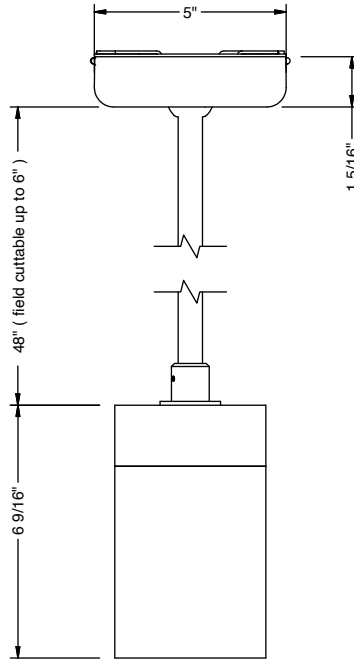
MOUNTING OPTIONS



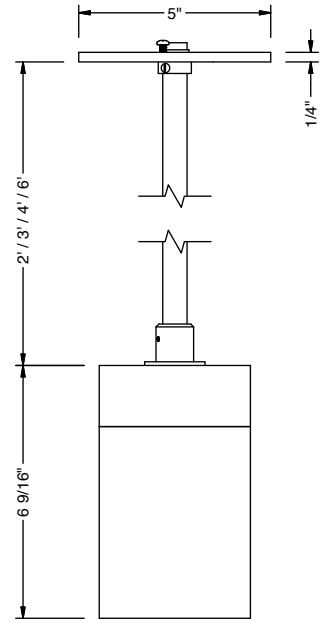
**CABLE PENDANT
ELV**



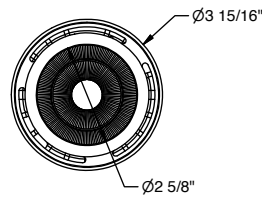
**CABLE PENDANT
DIM10**



RP



RPS



PROJECT INFORMATION

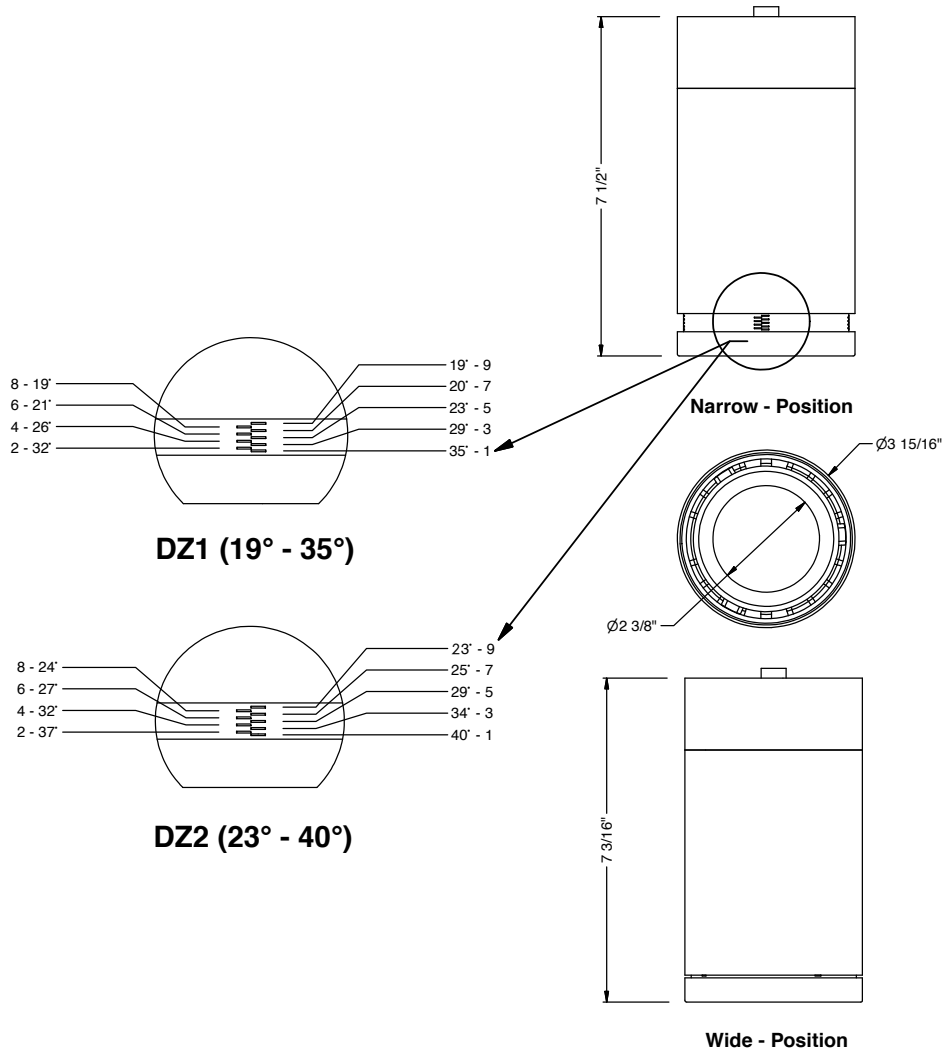
JOB NAME		TYPE	
ORDERING CODE			

DYNAMIC ZOOM



LX MECHANICAL ZOOM

SW (LED)				
ZOOM	POSITION	CBCP	LUMENS	BEAM
DZ1	1	4060	1600	35
	2	4620	1590	32
	3	5470	1590	29
	4	6320	1570	26
	5	7170	1550	23
	6	8070	1520	21
	7	8520	1400	20
	8	8690	1440	19
	9	8560	1410	19
ZOOM	POSITION	CBCP	LUMENS	BEAM
DZ2	1	5790	2680	40
	2	6360	2660	37
	3	7180	2640	34
	4	8200	2600	32
	5	9030	2630	29
	6	9600	2450	27
	7	9840	2490	25
	8	9860	2410	24
	9	9660	2210	23



PROJECT INFORMATION

JOB NAME		TYPE	
ORDERING CODE			

ACCESSORIES

Accessories Ordering Codes^{1,2,3}

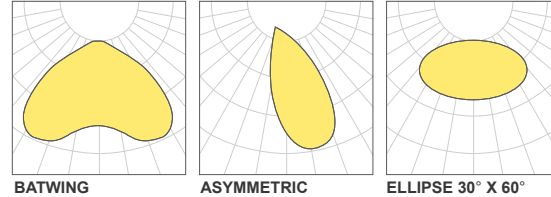
HCL	honeycomb louver (Cat. No. 81331)
BDBK	barndoor, black (Cat. No. K20278)
SNTBK	snoot, black (Cat. No. 81347BK)
SNTWH	snoot, white (Cat. No. 81347WH)
SHNTBK	shroud snoot, black (Cat. No. 81348BK)
SHNTWH	shroud snoot, white (Cat. No. 81348WH)
E	elliptical lens, 30° X 60° (Cat. No 74258)
SBL	smoothing beam lens (Cat. No 74207-SBL)
DL	diffused lens (Cat. No 74207)

BW	batwing lens (Cat. No 74259)
AB	asymmetric beam lens (Cat. No 74261)
HET	high efficiency textured lens, similar to Solite™ (Cat. No. 74262)
GRL	glare reduction lens (Cat. No. 74257)
CF-RD	color filter - red (Cat. No 74272-RD)
CF-BL	color filter - blue (Cat. No 74272-BL)
CF-GR	color filter - green (Cat. No 74272-GR)
CF-AM	color filter - amber (Cat. No 74272-AM)
81464	bezel removal tool

NOTES

1. Complete fixture ordering code by adding accessory ordering code. To order the accessory only use the catalog number.
2. Maximum 2pcs of media per fixture.
3. For best performance pair lenses with 10D, 15D or 25D beam options.

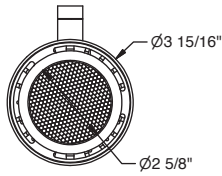
LIGHT DISTRIBUTION



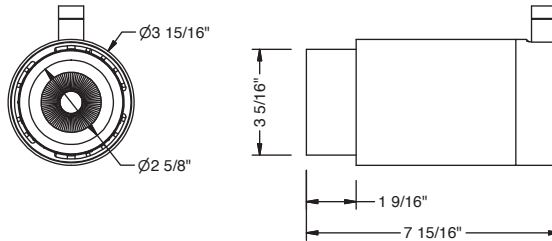
HONEYCOMB LOUVER



SNOOT



SHROUD SNOOT



BARNDOOR

