

LX SERIES

Spot Monopoint Tunable White



BK

DESCRIPTION

- LX is a versatile series of performance spec-grade spots and cylinders. LX is rich in technology offering the best-in-class static and dynamic LED components, premium optics and dimming controls. Glare accessories and specialty optics are offered for all variations. Several Mounting options include nine track systems, monopoint spots and pendants, surface mount and conduit j-box cover with knockouts for open ceiling applications. It is offered in a fine detailed matte finish in black and white.

HOUSING

- Casted aluminum housing in textured: black and white.
- Consult factory for custom finishes

MOUNTING

- Monopoint with field cuttable stem.
- Monopoint to exposed junction box with JCOV mount, field cuttable stem.

LISTING

- CSAus Listed to 1598 (suitable for dry and damp locations)
- cCSA Listed to CSA C22.2 #9.0

LED INFO

- Luminus CTM (or equal) LED: SDCM = 4-step MacAdam Ellipse; Lumen Maintenance: L₇₀ > 54,000 hrs

PROJECT INFORMATION			
JOB NAME		TYPE	
ORDERING CODE			

ORDERING CODE

SERIES	LX								
TYPE	35								
LED	TW tunable white (Luminus)								
DELIVERED LUMENS	07LM 590 lm, CBCP 3,890 10LM 670 lm, CBCP 3,130 15LM 900 lm, CBCP 3,250 20LM 1240 lm, CBCP 4,550 <small>Calculated Delivered Lumens = [Delivered Lumen Value] x [CCT Multiplier] x [Reflector Multiplier] Standard Configuration: 3500K 30D lumens, CBCP narrow beam option</small>								
CCT	2765	2700K to 6500K tunable white							
		CCT	2700K	3000K	3500K	4000K	5000K	5700K	6500K
		CCT MULTIPLIER FOR LUMEN OUTPUT	0.91	0.98	1.00	0.99	1.00	1.01	1.02
		EML RATIO*	0.49	0.57	0.68	0.79	0.96	1.04	1.12
CCT	1840	1800K to 4000K tunable white							
		CCT	1800K	2000K	2400K	2700K	3000K	3500K	4000K
		CCT MULTIPLIER FOR LUMEN OUTPUT	0.67	0.74	0.8	0.85	0.88	0.95	1.01
		EML RATIO	0.21	0.33	0.46	0.53	0.59	0.67	0.73
CRI	95 95 CRI max at 3500K, 90 CRI at 6500K								
REFLECTOR	15D¹	15 degrees (1.00)							
	20D	20 degrees (0.99)							
	30D	30 degrees (1.00)							
	40D	40 degrees (0.99)							
	50D	50 degrees (0.92)							
	LV²	LensVector dynamic beam control 15° - 60° (0.80)							
VOLTAGE	UNV 120V-277V								
DIMMING	CASZ Casambi Bluetooth dim to zero DIM10Z³ 0-10V dim to zero DMXZ DMX dim to zero								
MOUNTING OPTIONS	MP monopoint canopy 24" field cuttable to 1" JCOV-MP conduit junction box cover with knockouts, monopoint 24" field cuttable to 1"								
FINISH	BK black WH white								
ACCESSORIES	See the last page for details.								

ORDERING CODE

Follow the steps to specify your fixture, example:

LX - 35 - TW - 20LM - 2765 - 95 - 20D - UNV - DIM10Z - MP - WH

TW (LED)	POWER
DELIVERED LM	W (95 CRI)
590	15
670	13
900	19
1240	27

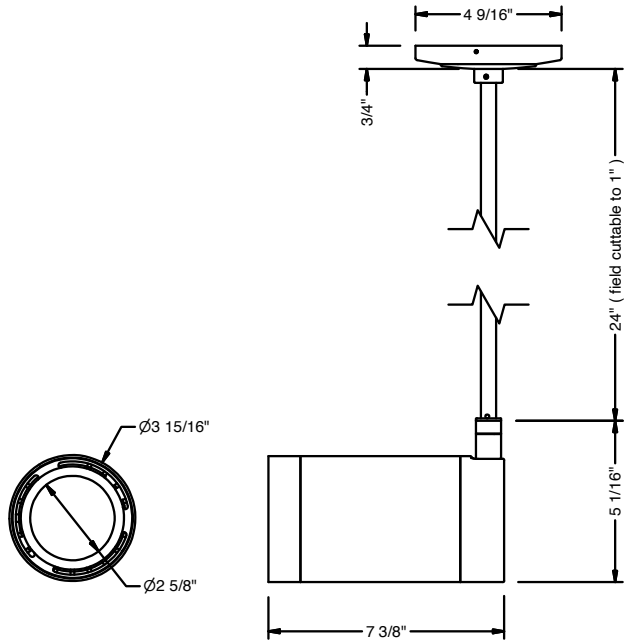
NOTES

- 15D only available in 07LM.
- LV available only in 07LM with CASZ or DMXZ. Length of fixture increases by 1/8".
- Requires 2 wall controllers (see wiring diagram).
- EML = equivalent melanopic lux. To calculate EML, multiply the measured photopic lux by the EML ratio for the given CCT. Example: 254 lux x 0.79 = 200 melanopic lux at 4000K.

PROJECT INFORMATION

JOB NAME		TYPE	
ORDERING CODE			

MOUNTING OPTIONS

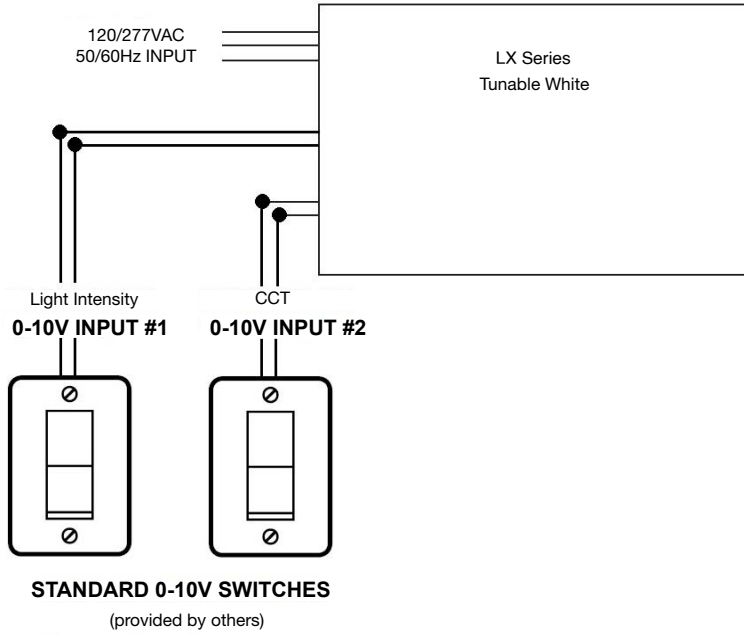


MONOPOINT

JOB NAME		TYPE	
ORDERING CODE			

WIRING DIAGRAM

"DIM10" HARDWIRED 0-10V CONTROL



PROJECT INFORMATION			
JOB NAME		TYPE	
ORDERING CODE			

ACCESSORIES

Accessories Ordering Codes^{1,2,3}

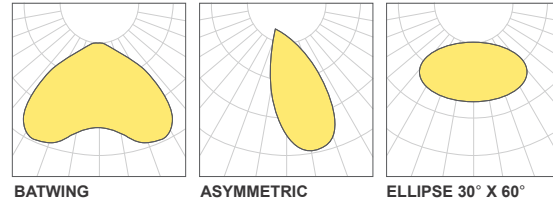
HCL	honeycomb louver (Cat. No. 81331)
BDBK	barndoor, black (Cat. No. K20278)
SNTBK	snoot, black (Cat. No. 81347BK)
SNTWH	snoot, white (Cat. No. 81347WH)
SHNTBK	shroud snoot, black (Cat. No. 81348BK)
SHNTWH	shroud snoot, white (Cat. No. 81348WH)
E	elliptical lens, 30° X 60° (Cat. No. 74258)
SBL	smoothing beam lens (Cat. No. 74207-SBL)
DL	diffused lens (Cat. No. 74207)
BW	batwing lens (Cat. No. 74259)

AB	asymmetric beam lens (Cat. No. 74261)
HET	high efficiency textured lens, similar to Solite™ (Cat. No. 74262)
GRL	glare reduction lens (Cat. No. 74257)
CF-RD	color filter - red (Cat. No. 74272-RD)
CF-BL	color filter - blue (Cat. No. 74272-BL)
CF-GR	color filter - green (Cat. No. 74272-GR)
CF-AM	color filter - amber (Cat. No. 74272-AM)
81464	bezel removal tool

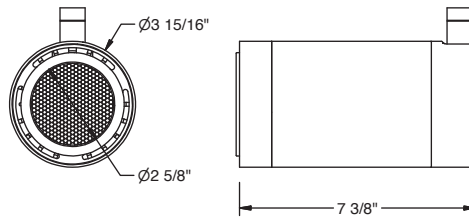
NOTES

1. Complete fixture ordering code by adding accessory ordering code. To order the accessory only use the catalog number.
2. Maximum 2pcs of media per fixture. Standard Configuration includes clear lens, which is replaceable with other media.
3. For best performance pair lenses with 15D or 20D beam options.

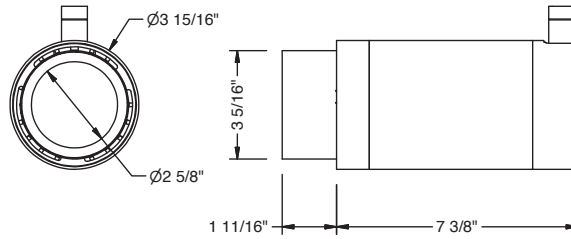
LIGHT DISTRIBUTION



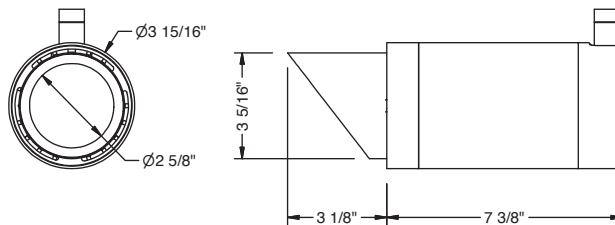
HONEYCOMB LOUVER



SNOOT



SHROUD SNOOT



BARNDOOR

