

LX SERIES

Track Pendant Warm Dim



BK

DESCRIPTION

- LX is a versatile series of performance spec-grade spots and cylinders. LX is rich in technology offering the best-in-class static and dynamic LED components, premium optics and dimming controls. Glare accessories and specialty optics are offered for all variations. Several Mounting options include nine track systems, monopoint spots and pendants, surface mount and conduit j-box cover with knockouts for open ceiling applications. It is offered in a fine detailed matte finish in black and white.

HOUSING

- Casted aluminum housing in textured: black and white.
- Consult factory for custom finishes.

MOUNTING

- Global track systems, GEO track, ECO track / HALO® Power Trac track, Zonyx track, Juno® track, and Lightolier®.

LISTING

- CSAus Listed to UL1574 (track suitable for dry locations only)
- cCSA Listed to CSA C22.2 #9.0

LED INFO

- Luminus CDM (or equal) LED: SDCM: 3-step MacAdam Ellipse; Lumen Maintenance: L₇₀ > 54,000 hrs

PROJECT INFORMATION

JOB NAME		TYPE	
ORDERING CODE			

ORDERING CODE

SERIES	LX	
TYPE	35	
LED	WD	warm dim (Luminus)
DELIVERED LUMENS	15LM 1060 lm, CBCP 8,980 20LM 1620 lm, CBCP 2,550	Calculated Delivered Lumens = [Delivered Lumen Value] x [CCT Multiplier] x [Reflector Multiplier] Standard Configuration: 3000K 40D lumens, CBCP narrow beam option
CCT	3018	3000K, dim to 1800K
CRI	97	97 CRI
REFLECTOR & LM MULTIPLIER	15D ¹ 15 degrees (0.97) 25D ¹ 25 degrees (1.00) 40D 40 degrees (1.00) 50D 50 degrees (0.94) 60D 60 degrees (0.99) LV ² LensVector dynamic beam control 15° - 60° (0.80)	
VOLTAGE	120	120V
DIMMING	CAS ELV ³	Casambi Bluetooth control with flicker free 1% dimming leading & trailing edge (Triac/ELV) dimming to 1%
MOUNTING OPTIONS	ECOPX ECO/HALO pendant - single circuit JUNOPX Juno pendant - single circuit LGTRPX Lightolier pendant - single circuit GEOPX GEO pendant - two circuit, two neutral ZONPX ⁴ Zonyx pendant - single circuit X = desired cable length from 6" to 120"	
FINISH	BK WH	black white
ACCESSORIES	See the last page for details.	

ORDERING CODE

Follow the steps to specify your fixture, example:
LX - 35 - WD - 20LM - 3018 - 97 - 40D - 120 - CAS - ECOP48 - WH

WD (LED)	POWER
DELIVERED LM	W (97 CRI)
1060	21
1620	27

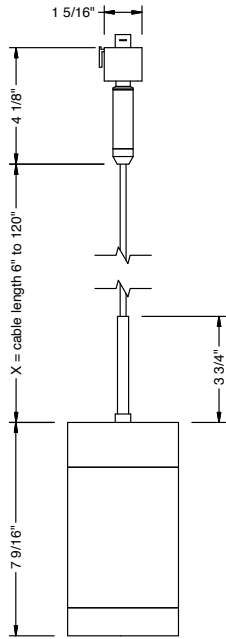
NOTES

- 15D and 25D only available in 15LM.
- LV available in 15LM with Casambi dimming only. Length of fixture increases by 1/8".
- ELV/Triac available only in 120V.
- Zonyx track adapter available only in MC.
- Values shown are for reference only. Actual CCT may vary.

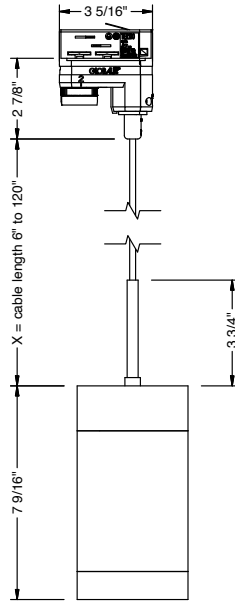
PROJECT INFORMATION

JOB NAME		TYPE	
ORDERING CODE			

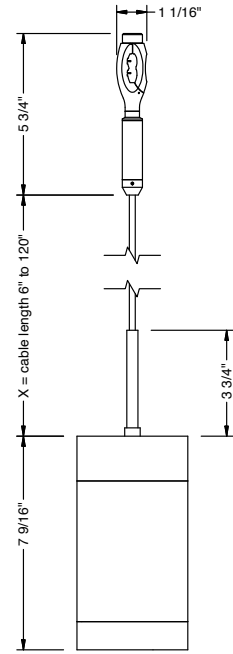
MOUNTING OPTIONS



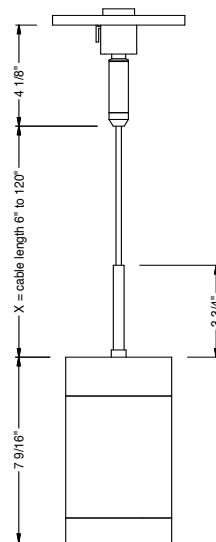
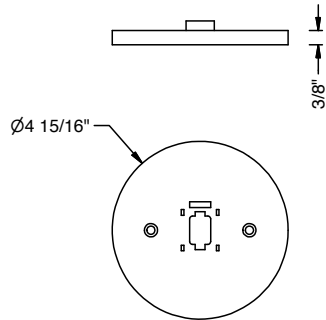
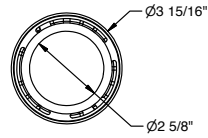
**CABLE PENDANT
E/H, J and L TYPE**



**CABLE PENDANT
GEO**



**CABLE PENDANT
ZONYX**



**ECO MONOPOINT
PENDANT CANOPY**

PROJECT INFORMATION			
JOB NAME		TYPE	
ORDERING CODE			

ACCESSORIES

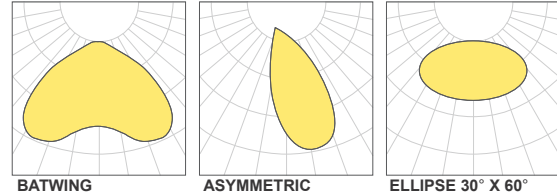
Accessories Ordering Codes^{1,2,3}

HCL	honeycomb louver (Cat. No. 81331)	AB	asymmetric beam lens (Cat. No. 74261)
BDBK	barndoor, black (Cat. No. K20278)	HET	high efficiency textured lens, similar to Solite™ (Cat. No. 74262)
SNTBK	snoot, black (Cat. No. 81347BK)	GRL	glare reduction lens (Cat. No. 74257)
SNTWH	snoot, white (Cat. No. 81347WH)	CF-RD	color filter - red (Cat. No. 74272-RD)
SHNTBK	shroud snoot, black (Cat. No. 81348BK)	CF-BL	color filter - blue (Cat. No. 74272-BL)
SHNTWH	shroud snoot, white (Cat. No. 81348WH)	CF-GR	color filter - green (Cat. No. 74272-GR)
E	elliptical lens, 30° X 60° (Cat. No. 74258)	CF-AM	color filter - amber (Cat. No. 74272-AM)
SBL	smoothing beam lens (Cat. No. 74207-SBL)	81464	bezel removal tool
DL	diffused lens (Cat. No. 74207)	370GES70BK	ECO canopy round, black
BW	batwing lens (Cat. No. 74259)	370GES70WH	ECO canopy round, white

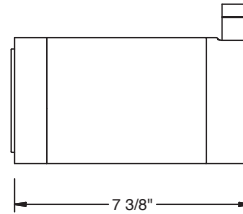
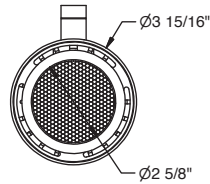
NOTES

1. Complete fixture ordering code by adding accessory ordering code. To order the accessory only use the catalog number.
2. Maximum 2pcs of media per fixture. Standard Configuration includes clear lens, which is replaceable with other media.
3. For best performance pair lenses with 15D and 25D beam options.

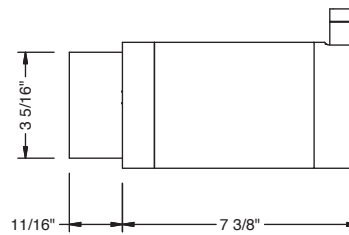
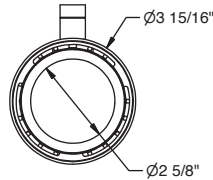
LIGHT DISTRIBUTION



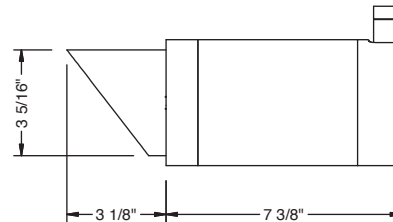
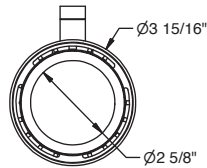
HONEYCOMB LOUVER



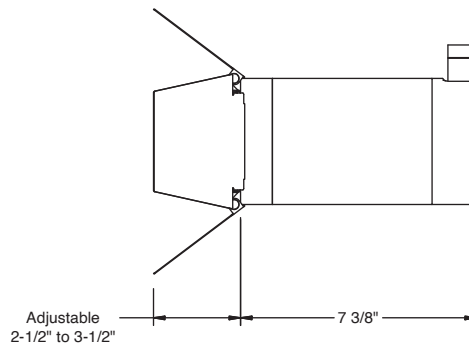
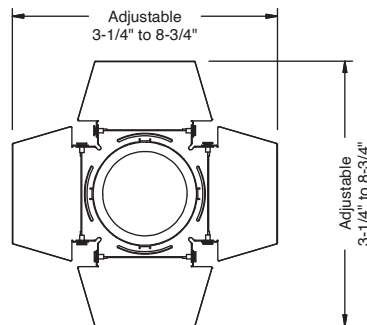
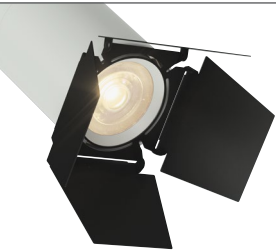
SNOOT



SHROUD SNOOT



BARNDOOR

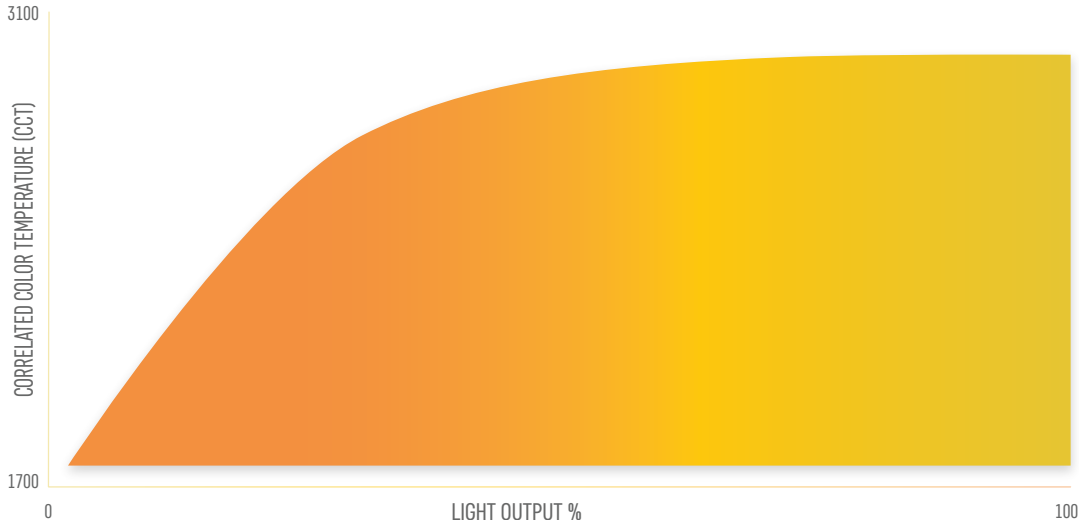


JOB NAME		TYPE	
ORDERING CODE			

HALOGEN DIMMING CURVE

WARM DIM DIMMING CURVE

CCT RANGE: 3000K TO 1800K



CCT AT LIGHT LEVEL (%LF)⁵

%LF	30LM	25LM	20LM	15LM
100%	3000	3000	3000	3000
50%	3000	3000	3000	3000
25%	2800	2800	2800	2500
10%	2200	2200	2200	2000
5%	1800	1800	1800	1800