

LX SERIES

Track Spot Warm Dim



BK

DESCRIPTION

- LX is a versatile series of performance spec-grade spots and cylinders. LX is rich in technology offering the best-in-class static and dynamic LED components, premium optics and dimming controls. Glare accessories and specialty optics are offered for all variations. Several Mounting options include nine track systems, monopoint spots and pendants, surface mount and conduit j-box cover with knockouts for open ceiling applications. It is offered in a fine detailed matte finish in black and white.

HOUSING

- Casted aluminum housing in textured: black and white.
- Consult factory for custom finishes.

MOUNTING

- Global track systems, GEO track, ECO track / HALO® Power Trac track, Zonyx track, Juno® track, and Lightolier®.
- GEOX track system, 3 circuit with databus for 0-10V dimming.

LISTING

- CSAus Listed to UL1574 (track suitable for dry locations only)
- cCSA Listed to CSA C22.2 #9.0

LED INFO

- Luminus CDM (or equal) LED: SDCM: 3-step MacAdam Ellipse; Lumen Maintenance: L₇₀ > 54,000 hrs

PROJECT INFORMATION

JOB NAME		TYPE	
ORDERING CODE			

ORDERING CODE

SERIES	LX	
TYPE	35	
LED	WD	warm dim (Luminus)
DELIVERED LUMENS	15LM 1060 lm, CBCP 8,980 20LM 1620 lm, CBCP 2,550	Calculated Delivered Lumens = [Delivered Lumen Value] x [CCT Multiplier] x [Reflector Multiplier] Standard Configuration: 3000K 40D lumens, CBCP narrow beam option
CCT	3018	3000K, dim to 1800K
CRI	97	97 CRI
REFLECTOR & LM MULTIPLIER	15D ¹ 15 degrees (0.97) 25D ¹ 25 degrees (1.00) 40D 40 degrees (1.00) 50D 50 degrees (0.94) 60D 60 degrees (0.99) LV ² LensVector dynamic beam control 15° - 60° (0.80)	
VOLTAGE	120	120V
DIMMING	CAS DIM10 ⁴ ELV1 ³	Casambi Bluetooth control with flicker free 1% dimming 0-10V dimming to 1% leading & trailing edge (Triac/ELV) dimming to 1%
MOUNTING OPTIONS	ECO/JUNO/LGTR/GEO/GEOX/ZON ⁵	ECO/HALO - single circuit Juno - single circuit Lightolier spot - single circuit GEO spot - two circuit, two neutral GEOX spot - two circuit, two neutral with databus Zonyx spot - single circuit
FINISH	BK/WH	black/white
ACCESSORIES	See the last page for details.	

ORDERING CODE

Follow the steps to specify your fixture, example:

LX - 35 - WD - 20LM - 3018 - 97 - 40D - 120 - CAS - ECO - WH

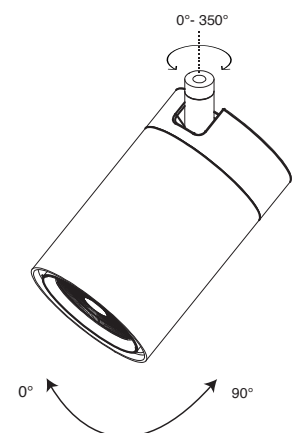
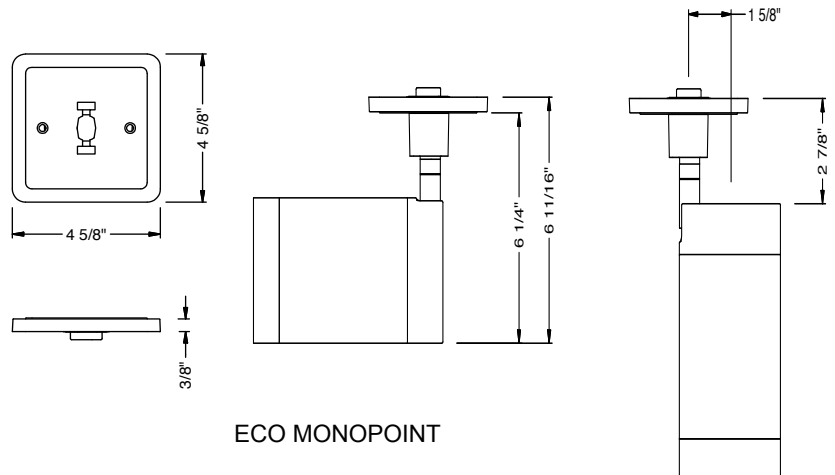
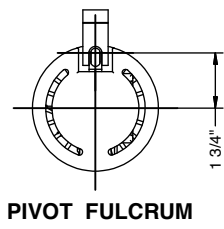
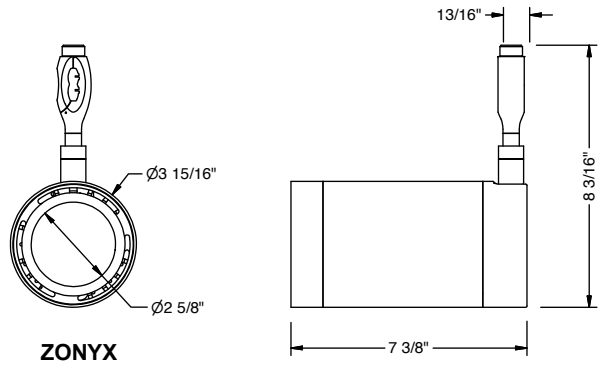
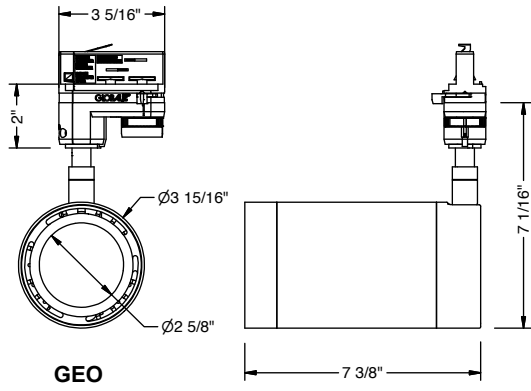
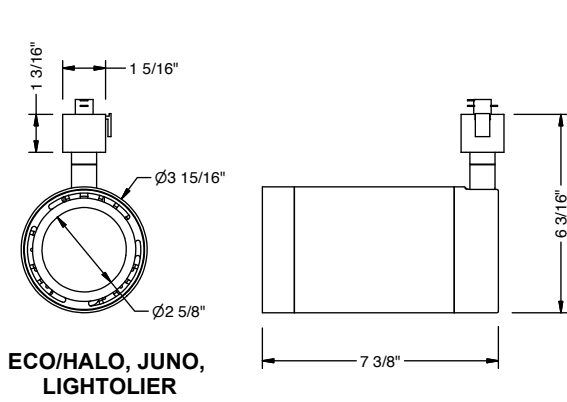
WD (LED)	POWER
DELIVERED LM	W (97 CRI)
1060	21
1620	27

NOTES

- 15D and 25D only available in 15LM.
- LV available in 15LM with Casambi dimming only. Length of fixture increases by 1/8".
- ELV/Triac available only in 120V.
- DIM10 available only in GEOX track.
- Zonyx track adapter available only in MC.
- Values shown are for reference only. Actual CCT may vary.

JOB NAME		TYPE	
ORDERING CODE			

MOUNTING OPTIONS



PROJECT INFORMATION			
JOB NAME		TYPE	
ORDERING CODE			

ACCESSORIES

Accessories Ordering Codes^{1,2,3}

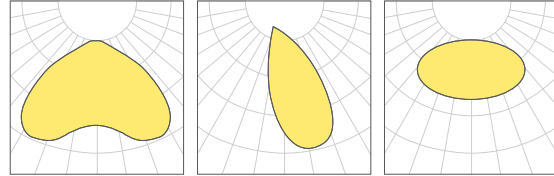
HCL	honeycomb louver (Cat. No. 81331)
BDBK	barndoor, black (Cat. No. K20278)
SNTBK	snoot, black (Cat. No. 81347BK)
SNTWH	snoot, white (Cat. No. 81347WH)
SHNTBK	shroud snoot, black (Cat. No. 81348BK)
SHNTWH	shroud snoot, white (Cat. No. 81348WH)
E	elliptical lens, 30° X 60° (Cat. No. 74258)
SBL	smoothing beam lens (Cat. No. 74207-SBL)
DL	diffused lens (Cat. No. 74207)
BW	batwing lens (Cat. No. 74259)

AB	asymmetric beam lens (Cat. No. 74261)
HET	high efficiency textured lens, similar to Solite™ (Cat. No. 74262)
GRL	glare reduction lens (Cat. No. 74257)
CF-RD	color filter - red (Cat. No. 74272-RD)
CF-BL	color filter - blue (Cat. No. 74272-BL)
CF-GR	color filter - green (Cat. No. 74272-GR)
CF-AM	color filter - amber (Cat. No. 74272-AM)
81464	bezel removal tool
K20272/ECOMPBK	ECO canopy square, black
K20272/ECOMPWH	ECO canopy square, white

NOTES

- Complete fixture ordering code by adding accessory ordering code. To order the accessory only use the catalog number.
- Maximum 2pcs of media per fixture. Standard Configuration includes clear lens, which is replaceable with other media.
- For best performance pair lenses with 15D and 25D beam options.

LIGHT DISTRIBUTION



BATWING

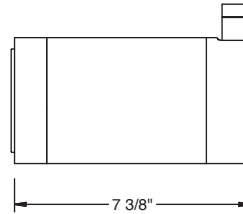
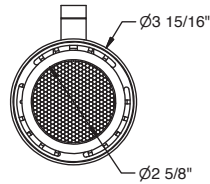
ASYMMETRIC

ELLIPSE 30° X 60°

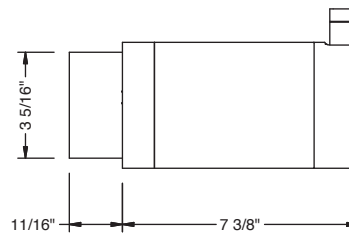
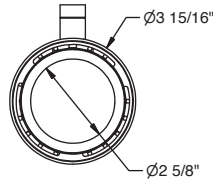
HONEYCOMB LOUVER



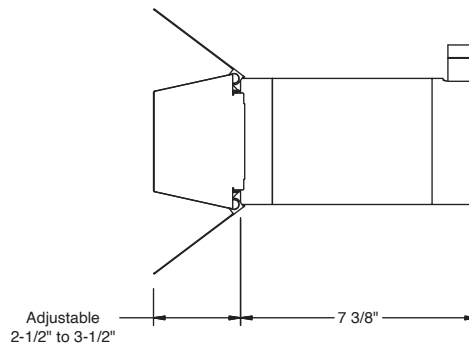
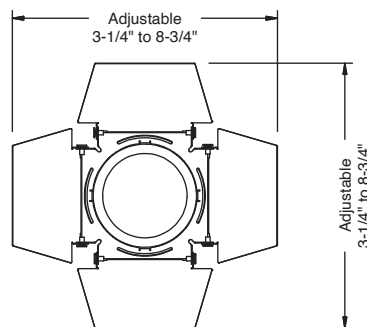
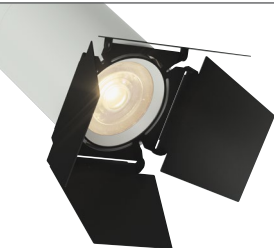
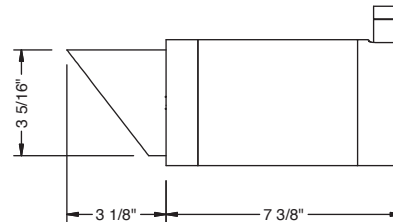
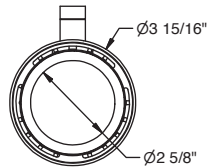
SNOOT



SHROUD SNOOT



BARNDOOR

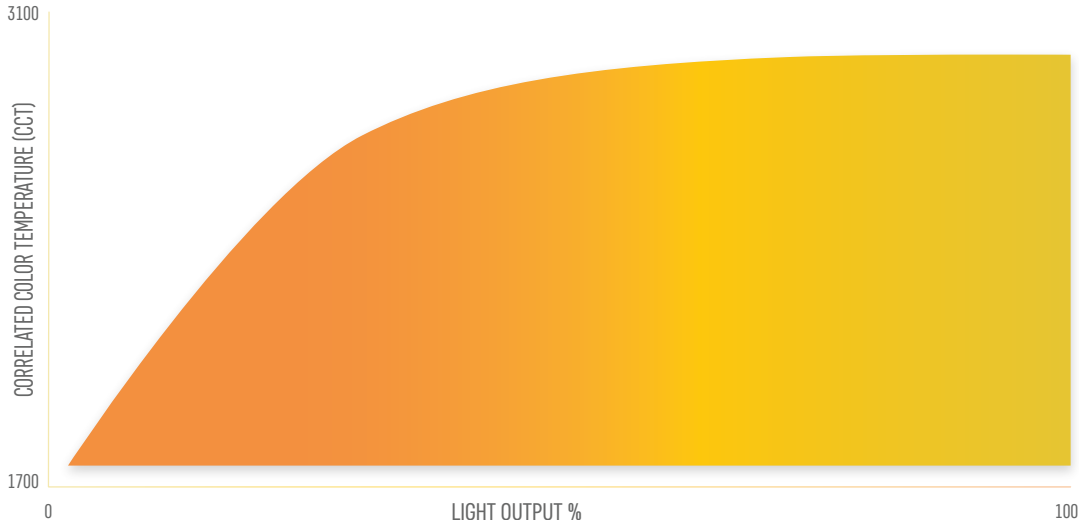


JOB NAME		TYPE	
ORDERING CODE			

HALOGEN DIMMING CURVE

WARM DIM DIMMING CURVE

CCT RANGE: 3000K TO 1800K



CCT AT LIGHT LEVEL (%LF)⁶

%LF	30LM	25LM	20LM	15LM
100%	3000	3000	3000	3000
50%	3000	3000	3000	3000
25%	2800	2800	2800	2500
10%	2200	2200	2200	2000
5%	1800	1800	1800	1800