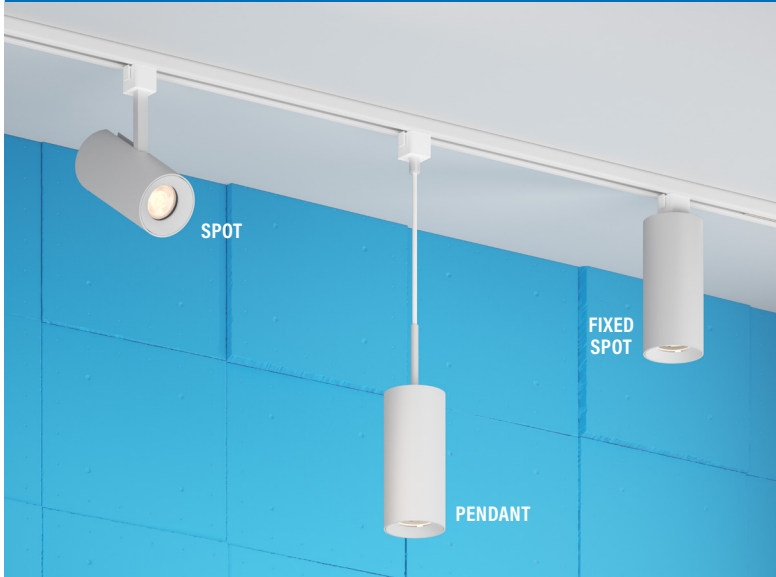


| PROJECT INFORMATION | | |
|---------------------|--|------|
| JOB NAME | | TYPE |
| ORDERING CODE | | |

LX PRO

Track Mount Hospitality CCTs



| 25° - 50° BEAM (Note: Specifications are subject to change without notice) | | |
|---|--|----------------|
| 14mm COB PERFORMANCE DATA | | |
| LED LIGHT ENGINE | NOMINAL DELIVERED LUMENS | SYSTEM WATTAGE |
| 10LM | 990LM @24K/90CRI | 10W |
| 15LM | 1540LM @24K/90CRI | 16W |
| 20LM | 2070LM @24K/90CRI | 22W |
| 25LM | 2550LM @24K/90CRI | 29W |
| Notes | Delivered lumens based on 50D optic with no lens, (see page 2) | |

| 12° BEAM (Note: Specifications are subject to change without notice) | | |
|---|--|----------------|
| 6mm COB PERFORMANCE DATA | | |
| LED LIGHT ENGINE | NOMINAL DELIVERED LUMENS | SYSTEM WATTAGE |
| 10LM | 850LM @24K/90CRI | 12W |
| 15LM | 1220LM @24K/90CRI | 18W |
| Notes | Delivered lumens based on 12D optic with no lens, (see page 2) | |

| 10° BEAM (Note: Specifications are subject to change without notice) | | |
|---|--|----------------|
| 4mm COB PERFORMANCE DATA | | |
| LED LIGHT ENGINE | NOMINAL DELIVERED LUMENS | SYSTEM WATTAGE |
| 10LM | 700LM @24K/90CRI | 12W |
| Notes | Delivered lumens based on 10D optic with no lens, (see page 2) | |

FEATURES

- Seamless casting with textured finish for clean aesthetics
- Flush stem regression at 0°
- 10° - 50° beam spread
- UGR < 24
- Several mounting options include various track systems
- Glare control options, specialty optics, lensing, accessories and custom RAL finishes available

DIMMING AND CONTROLS

- Flicker free 0-10V dimming to 1%
- Leading & trailing edge (Triac/ELV) dimming to 1%
- Casambi dimming to 1%

CONSTRUCTION

- Casted aluminum housing
- PMMA optics
- SVT pendant cord

LED

- LED: SDCM: 2-step MacAdam Ellipse, Lumen Maintenance: L₇₀ > 66,000 hrs

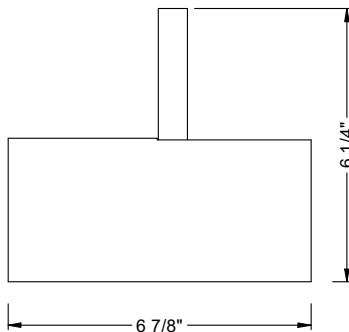
LISTING

- CSAus Listed to UL1574; cCSA Listed to CSA C22.2 #9.0
- Suitable for dry and damp locations
- 5 Year Limited warranty

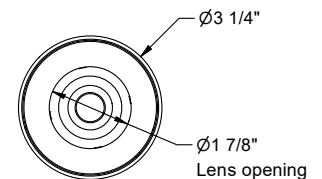
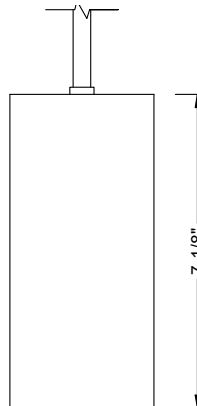
ELECTRICAL

- 120V (Casambi, ELV, 0-10V)
- 277V (Casambi, Non-Dimming)
- Power factor ≥ 0.9
- 2kV driver input surge protection

SPOT



PENDANT



| PROJECT INFORMATION | | |
|---------------------|--|------|
| JOB NAME | | TYPE |
| ORDERING CODE | | |

| ORDERING CODE | | |
|---|---|--|
| SERIES | LX | LX |
| TYPE | PRO | performance cylinder |
| LED | SW | standard white |
| DELIVERED LUMENS | 10LM | 990 lm |
| | 15LM | 1540 lm |
| | 20LM | 2070 lm |
| | 25LM | 2550 lm |
| | Standard Configuration: 2400K 50D NL Calculated Delivered Lumens = [Delivered Lumen Value] x [CCT Multiplier] x [Optic Multiplier] x [Lens Multiplier] | |
| CCT | 22K | 2200K |
| | 24K | 2400K |
| CRI | | 90 CRI |
| | | 90 CRI |
| OPTIC & LM MULTIPLIER SEE PAGE 4, 5 | 10D¹ | 10 degrees (0.81) |
| | 12D² | 12 degrees (0.90) |
| | 25D | 25 degrees (0.98) |
| | 30D | 30 degrees (0.94) |
| | 35D | 35 degrees (0.90) |
| | 50D | 50 degrees (1.00) |
| | DZ1³ | dynamic zoom 14° - 31° (0.90) |
| | DZ2⁴ | dynamic zoom 21° - 40° (0.89) |
| LENS SEE PAGE 3 | NL | no lens (1.00) |
| | CL | clear lens (0.95) |
| | DL | diffused lens (0.92) |
| | HET | high efficiency textured lens, similar to Solite™ (0.94) |
| | SBL | smoothing beam lens (0.95) |
| | HCL | honeycomb louver (0.74) |
| | E | elliptical lens, 30° X 60° (0.88) |
| | AB | asymmetric beam lens (0.85) |
| | BW | batwing lens (0.79) |
| 2pcs of media per fixture. | | |
| ACCESSORY SEE PAGE 10 | NA | no accessory |
| | BD⁵ | barndoor, black |
| | SNT | snoot |
| | SHNT | shroud snoot |
| FINISH SEE PAGE 3 | BK | black |
| | WH | white |
| | MC | matte chrome |
| | CC⁶ | custom color, consult factory for details |
| When choosing CC option, adaptor finish (BK, WH, MC) must be specified. example: ECOHBK | | |
| When choosing CC option, DZ1/DZ2 finish (BK, WH, MC) must be specified. example: DZIBK | | |

| ORDERING CODE | | |
|--|--|---|
| MOUNTING OPTIONS SEE PAGE 6, 8 | ECOH | ECOH/HALO spot - single circuit |
| | ECOJ⁷ | ECOJ/JUNO spot - single circuit |
| | GEO | GEO spot - two circuit, two neutral |
| | GEOH^{8,12} | GEOH spot - 277V two circuit, two neutral |
| | GEOX | GEOX spot - two circuit, two neutral with databus |
| | LGTR⁷ | Lightolier spot - single circuit |
| | ZON⁹ | Zonyx spot - single circuit |
| | F = fixed spot, add "F" to end of track spot option example: ECOHF | |
| | ECOHPX | ECOH/HALO pendant -single circuit |
| | ECOJPX⁷ | ECOJ/JUNO pendant - single circuit |
| GEOPX | GEO pendant - two circuit, two neutral | |
| LGTRPX⁷ | Lightolier pendant - single circuit | |
| ZONPX⁹ | Zonyx pendant - single circuit | |
| X = desired cable length from 6" to 120" | | |
| VOLTAGE | 120 | 120V |
| | 277⁹ | 277V |
| DIMMING | DIM10¹⁰ | 0-10V dimming to 1% |
| | ELV1¹¹ | leading & trailing edge (Triac/ELV) dimming to 1% |
| | CAS | Casambi control with flicker free 1% dimming |
| | NON¹³ | non dimming |

| YOUR COMPLETED ORDERING CODE | |
|--|--|
| Follow the steps to specify your fixture, example: | |
| LX - PRO - SW - 15LM - 24K - 90 - 50D - SBL - NA - WH - ECO - 120 - CAS | |

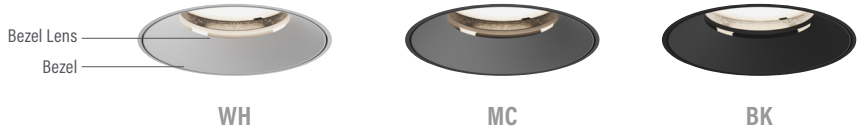
NOTES

- 10D available in 10LM.
- 12D available in 10LM/15LM.
- DZ1 available in 10LM/15LM. Cannot be used with accessories or lenses.
- DZ2 available in all lumen packages. Cannot be used with accessories or lenses.
- Barndoor only available in standard BK finish.
- Custom finish can be applied to specific parts of fixture: Housing, stem, bezel and accessories. Custom set up fee plus minimum quantity required per color.
- ECOJ and LGTR only available in BK or WH.
- 277V available with GEOH Track Mounting using CAS or NON-Dimming option.
- Zonyx track adapter available in MC.
- DIM10 available in GEOX track mounting.
- ELV1 available in 120V.
- NON-Dimming option available in 277V GEOH.

| PROJECT INFORMATION | | |
|---------------------|--|------|
| JOB NAME | | TYPE |
| ORDERING CODE | | |

BEZEL OPTIONS

BEZEL COLORS



OPTICAL OPTIONS

- UGR calculation based on CIE 117-1995; room size: 4H X 8H, reflectance: 70/50/20;
- UGR calculation based on 15LM fixtures, unless otherwise noted.



| OPTIC | BEAM ANGLE | UGR |
|-------|------------|------|
| 12D | 12 | ≤5 |
| 25D | 25.4 | 9.2 |
| 30D | 27.8 | 11.8 |
| 35D | 31.7 | 13 |
| 50D | 44.5 | 16.8 |



| OPTIC | BEAM ANGLE | UGR |
|-------|------------|------|
| 10D1 | 10.2 | ≤5 |
| 12D | 12 | 6.5 |
| 25D | 26 | 13.4 |
| 30D | 29.5 | 16 |
| 35D | 34.8 | 17.2 |
| 50D | 52 | 19.4 |

UGR calculations based on 10LM for 10D



| OPTIC | BEAM ANGLE | UGR |
|-------|------------|------|
| 10D1 | 10.4 | 5.9 |
| 12D | 12 | 7.2 |
| 25D | 26 | 13.8 |
| 30D | 29.5 | 16.4 |
| 35D | 34.8 | 16.9 |
| 50D | 51 | 18.9 |

UGR calculations based on 10LM for 10D



| OPTIC | BEAM ANGLE | UGR |
|-------|------------|------|
| 25D | 40.9 | 21.4 |
| 30D | 44.5 | 22.2 |
| 35D | 48.3 | 22.9 |
| 50D | 59 | 23.9 |



| OPTIC | BEAM ANGLE | UGR |
|-------|------------|------|
| 10D1 | 17.4 | 8.5 |
| 12D | 18.5 | 10.5 |
| 25D | 28.9 | 15.7 |
| 30D | 32.6 | 18 |
| 35D | 37 | 18.7 |
| 50D | 52 | 20.3 |

UGR calculations based on 10LM for 10D



| OPTIC | BEAM ANGLE | UGR |
|-------|------------|------|
| 10D1 | 11.1 | 6.6 |
| 12D | 12.8 | 8 |
| 25D | 26.4 | 14.4 |
| 30D | 29.8 | 17 |
| 35D | 35.3 | 17.6 |
| 50D | 52.2 | 19.5 |

UGR calculations based on 10LM for 10D



| OPTIC | BEAM ANGLE | UGR |
|-------|------------|-------|
| 25D | 40x65 | 20x25 |
| 30D | 44x68 | 21x26 |
| 35D | 47x71 | 22x26 |
| 50D | 57x83 | 23x27 |



| OPTIC | BEAM ANGLE | UGR |
|-------|------------|-------|
| 25D | 40x75 | 22x26 |
| 30D | 44x78 | 23x26 |
| 35D | 48x81 | 23x26 |
| 50D | 51x88 | 23x27 |



| OPTIC | BEAM ANGLE | UGR |
|-------|------------|-----|
| 25D | 30 | NA |
| 30D | 35 | NA |
| 35D | 39 | NA |
| 50D | 52 | NA |

| PROJECT INFORMATION | | |
|---------------------|--|------|
| JOB NAME | | TYPE |
| ORDERING CODE | | |

PHOTOMETRIC DATA

| 15LM | |
|---|-------|
| | 90CRI |
| 2200K | 0.92 |
| 2400K | 1 |
| FC Formula = CBCP / Distance ² | |

| 25D 26° NO LENS | |
|----------------------------|--------------------|
| Throw Distance (ft) | Beam Diameter (ft) |
| 6 | 2.8 |
| 8 | 3.7 |
| 10 | 4.6 |
| 12 | 5.6 |
| 14 | 6.5 |
| Illuminance at Center (fc) | |
| 151 | |
| 85 | |
| 54 | |
| 38 | |
| 28 | |
| WATTS: 16.1 | LPW: 91.6 |
| LUMENS: 1474 | CCT: 2400K |
| INTENSITY | |
| DEGREE | CANDELA |
| 0 | 5432 |
| 5 | 4938 |
| 15 | 2206 |
| 25 | 601 |
| 35 | 129 |
| 45 | 46 |

| 30D 30° NO LENS | |
|----------------------------|--------------------|
| Throw Distance (ft) | Beam Diameter (ft) |
| 6 | 3.2 |
| 8 | 4.2 |
| 10 | 5.3 |
| 12 | 6.3 |
| 14 | 7.4 |
| Illuminance at Center (fc) | |
| 112 | |
| 63 | |
| 40 | |
| 28 | |
| 21 | |
| WATTS: 16.1 | LPW: 88.3 |
| LUMENS: 1421 | CCT: 2400K |
| INTENSITY | |
| DEGREE | CANDELA |
| 0 | 4041 |
| 5 | 3666 |
| 15 | 1974 |
| 25 | 734 |
| 35 | 185 |
| 45 | 67 |

| 35D 35° NO LENS | |
|----------------------------|--------------------|
| Throw Distance (ft) | Beam Diameter (ft) |
| 6 | 3.8 |
| 8 | 5 |
| 10 | 6.3 |
| 12 | 7.6 |
| 14 | 8.8 |
| Illuminance at Center (fc) | |
| 83 | |
| 47 | |
| 30 | |
| 21 | |
| 15 | |
| WATTS: 16.1 | LPW: 84 |
| LUMENS: 1353 | CCT: 2400K |
| INTENSITY | |
| DEGREE | CANDELA |
| 0 | 2994 |
| 5 | 2799 |
| 15 | 1759 |
| 25 | 810 |
| 35 | 224 |
| 45 | 69 |

| 50D 52° NO LENS | |
|----------------------------|--------------------|
| Throw Distance (ft) | Beam Diameter (ft) |
| 6 | 5.9 |
| 8 | 7.8 |
| 10 | 9.8 |
| 12 | 11.7 |
| 14 | 13.7 |
| Illuminance at Center (fc) | |
| 57 | |
| 32 | |
| 20 | |
| 14 | |
| 10 | |
| WATTS: 16.1 | LPW: 95.7 |
| LUMENS: 1541 | CCT: 2400K |
| INTENSITY | |
| DEGREE | CANDELA |
| 0 | 2049 |
| 5 | 2036 |
| 15 | 1719 |
| 25 | 1091 |
| 35 | 487 |
| 45 | 55 |

| 25LM | |
|---|-------|
| | 90CRI |
| 2200K | 0.92 |
| 2400K | 1 |
| FC Formula = CBCP / Distance ² | |

| 25D 26° NO LENS | |
|----------------------------|--------------------|
| Throw Distance (ft) | Beam Diameter (ft) |
| 6 | 2.8 |
| 8 | 3.7 |
| 10 | 4.6 |
| 12 | 5.6 |
| 14 | 6.5 |
| Illuminance at Center (fc) | |
| 249 | |
| 140 | |
| 90 | |
| 62 | |
| 46 | |
| WATTS: 28.6 | LPW: 85.2 |
| LUMENS: 2436 | CCT: 2400K |
| INTENSITY | |
| DEGREE | CANDELA |
| 0 | 8977 |
| 5 | 8161 |
| 15 | 3646 |
| 25 | 993 |
| 35 | 214 |
| 45 | 76 |

| 30D 30° NO LENS | |
|----------------------------|--------------------|
| Throw Distance (ft) | Beam Diameter (ft) |
| 6 | 3.2 |
| 8 | 4.2 |
| 10 | 5.3 |
| 12 | 6.3 |
| 14 | 7.4 |
| Illuminance at Center (fc) | |
| 186 | |
| 104 | |
| 67 | |
| 46 | |
| 34 | |
| WATTS: 28.6 | LPW: 82.1 |
| LUMENS: 2348 | CCT: 2400K |
| INTENSITY | |
| DEGREE | CANDELA |
| 0 | 6679 |
| 5 | 6058 |
| 15 | 3263 |
| 25 | 1212 |
| 35 | 306 |
| 45 | 111 |

| 35D 35° NO LENS | |
|----------------------------|--------------------|
| Throw Distance (ft) | Beam Diameter (ft) |
| 6 | 3.8 |
| 8 | 5 |
| 10 | 6.3 |
| 12 | 7.6 |
| 14 | 8.8 |
| Illuminance at Center (fc) | |
| 137 | |
| 77 | |
| 49 | |
| 34 | |
| 25 | |
| WATTS: 28.6 | LPW: 78.2 |
| LUMENS: 2236 | CCT: 2400K |
| INTENSITY | |
| DEGREE | CANDELA |
| 0 | 4947 |
| 5 | 4625 |
| 15 | 2907 |
| 25 | 1339 |
| 35 | 370 |
| 45 | 114 |

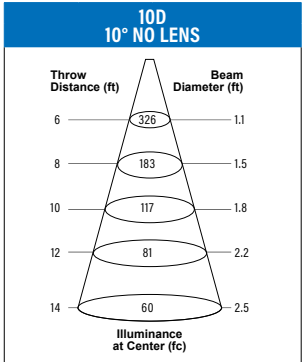
| 50D 52° NO LENS | |
|----------------------------|--------------------|
| Throw Distance (ft) | Beam Diameter (ft) |
| 6 | 5.9 |
| 8 | 7.8 |
| 10 | 9.8 |
| 12 | 11.7 |
| 14 | 13.7 |
| Illuminance at Center (fc) | |
| 94 | |
| 53 | |
| 34 | |
| 24 | |
| 17 | |
| WATTS: 28.6 | LPW: 89 |
| LUMENS: 2546 | CCT: 2400K |
| INTENSITY | |
| DEGREE | CANDELA |
| 0 | 3386 |
| 5 | 3365 |
| 15 | 2841 |
| 25 | 1803 |
| 35 | 804 |
| 45 | 90 |

PROJECT INFORMATION

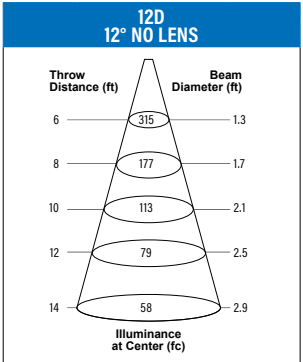
| | | | |
|---------------|--|------|--|
| JOB NAME | | TYPE | |
| ORDERING CODE | | | |

PHOTOMETRIC DATA

| 10LM | |
|---|-------|
| | 90CRI |
| 2200K | 0.92 |
| 2400K | 1 |
| FC Formula = CBCP / Distance ² | |



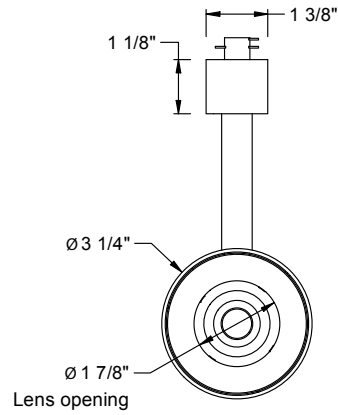
| WATTS: 12 | LPW: 58.3 |
|-------------|------------|
| LUMENS: 700 | CCT: 2400K |
| INTENSITY | |
| DEGREE | CANDELA |
| 0 | 11724 |
| 5 | 6116 |
| 15 | 599 |
| 25 | 77 |
| 35 | 26 |
| 45 | 10 |



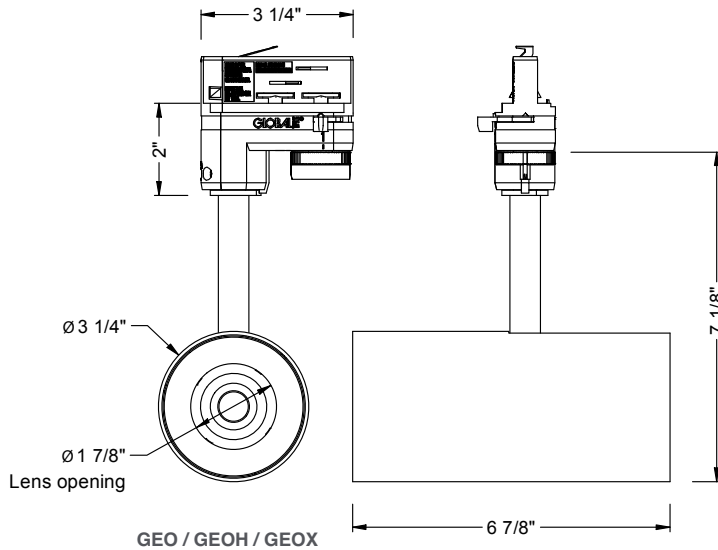
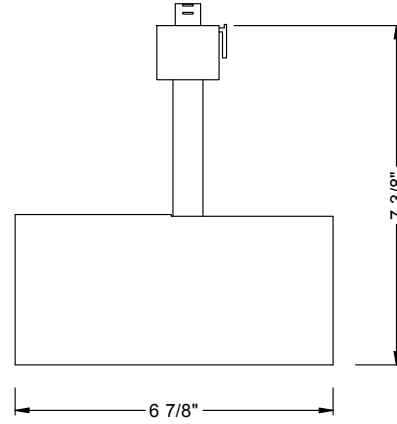
| WATTS: 11.5 | LPW: 73.6 |
|-------------|------------|
| LUMENS: 846 | CCT: 2400K |
| INTENSITY | |
| DEGREE | CANDELA |
| 0 | 11344 |
| 5 | 6897 |
| 15 | 836 |
| 25 | 102 |
| 35 | 32 |
| 45 | 12 |

| PROJECT INFORMATION | | |
|---------------------|--|------|
| JOB NAME | | TYPE |
| ORDERING CODE | | |

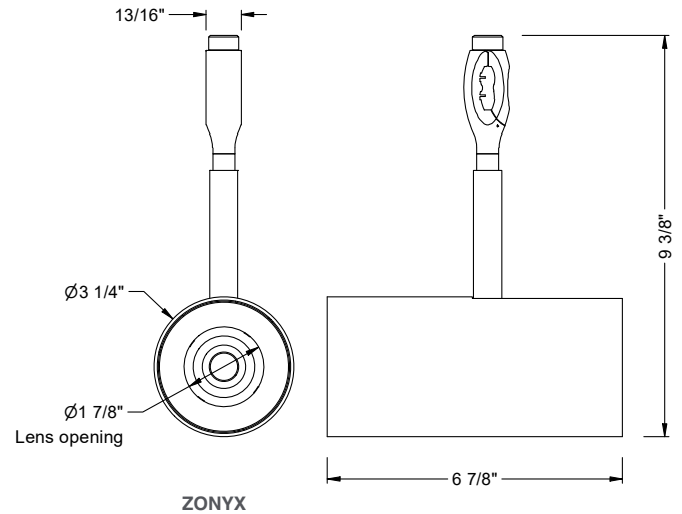
MOUNTING OPTIONS - TRACK SPOT



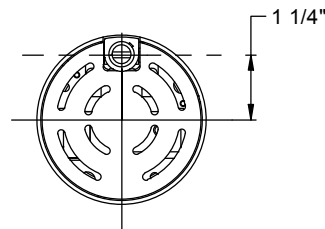
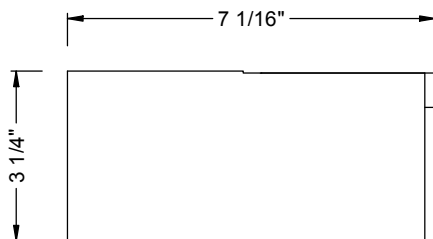
ECOH / ECOJ / LIGHTOLIER



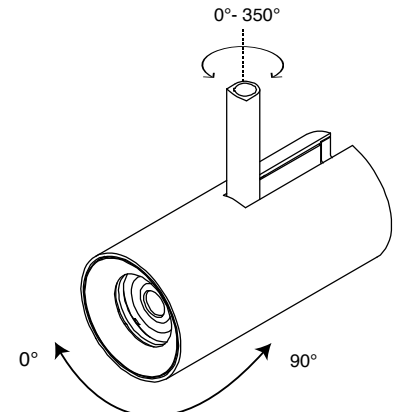
GEO / GEOH / GEOX



ZONYX



PIVOT FULCRUM

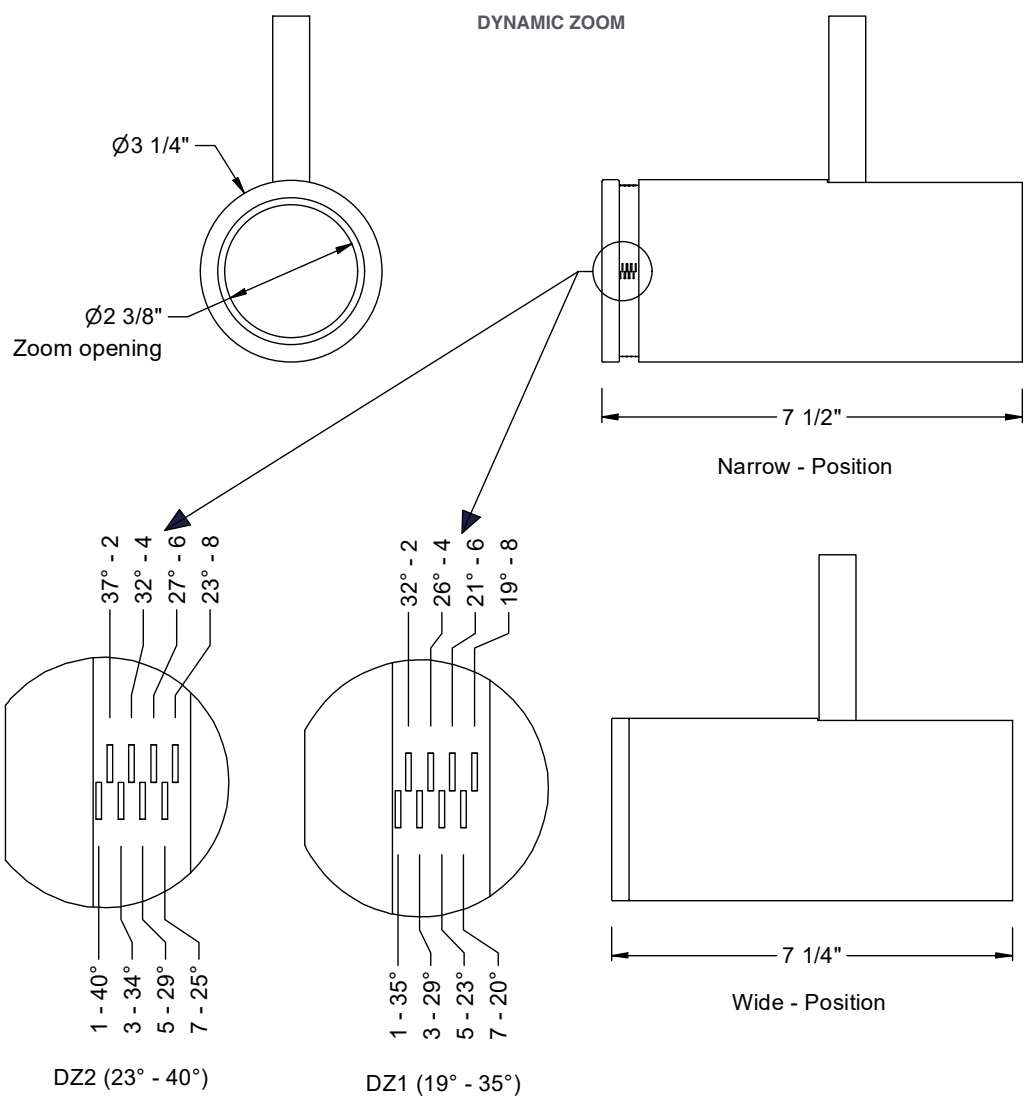


| PROJECT INFORMATION | | | |
|---------------------|--|------|--|
| JOB NAME | | TYPE | |
| ORDERING CODE | | | |

DYNAMIC ZOOM - TRACK SPOT

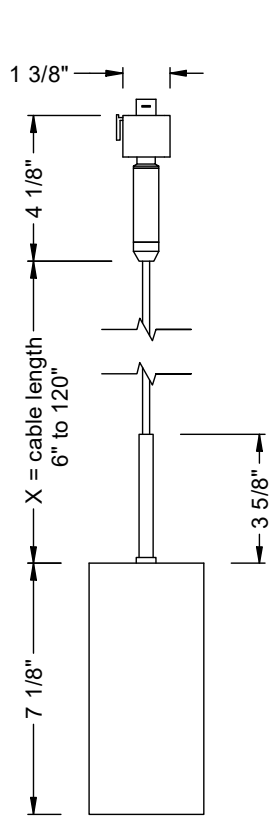


| LX MECHANICAL ZOOM | | | | |
|--|----------|-------|--------|------|
| SW (LED) | | | | |
| ZOOM | POSITION | CBCP | LUMENS | BEAM |
| DZ1 (6MM COB PERFORMANCE BASED ON 20LM PACKAGE) | 1 | 5360 | 1425 | 31 |
| | 2 | 7790 | 1390 | 24 |
| | 3 | 11070 | 1370 | 19 |
| | 4 | 14240 | 1330 | 17 |
| | 5 | 15920 | 1290 | 15 |
| | 6 | 15990 | 1230 | 14 |
| | 7 | 15580 | 1220 | 14 |
| DZ2 (14MM COB PERFORMANCE BASED ON 40LM PACKAGE) | 1 | 5840 | 3090 | 40 |
| | 2 | 7360 | 3080 | 35 |
| | 3 | 9960 | 3050 | 28 |
| | 4 | 11160 | 3010 | 26 |
| | 5 | 12670 | 2910 | 24 |
| | 6 | 13160 | 2830 | 23 |
| | 7 | 13250 | 2700 | 22 |
| | 8 | 12860 | 2570 | 21 |

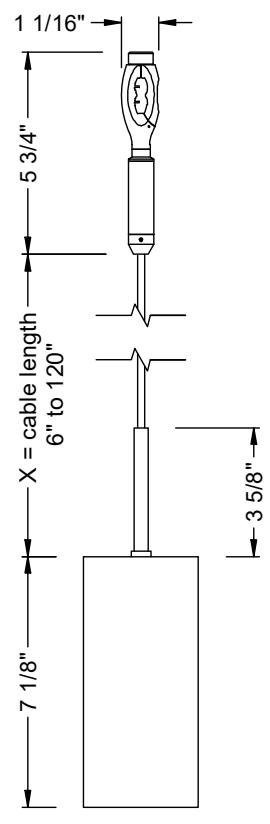


| PROJECT INFORMATION | | |
|---------------------|--|------|
| JOB NAME | | TYPE |
| ORDERING CODE | | |

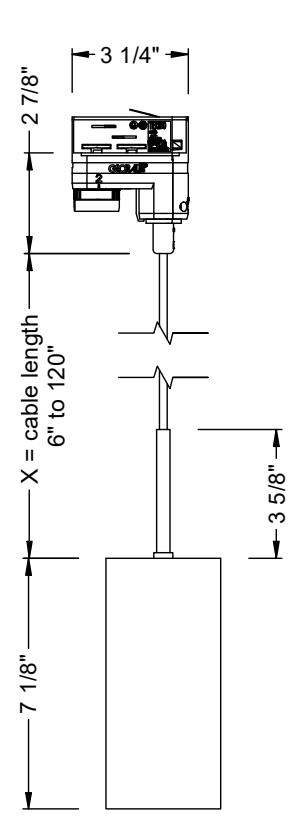
MOUNTING OPTIONS - TRACK PENDANT



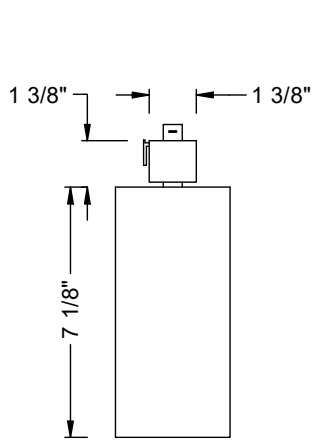
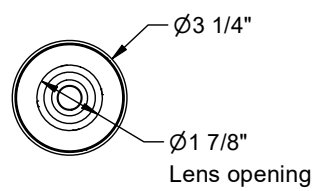
CABLE PENDANT
ECOH / ECOJ / LIGHTOLIER



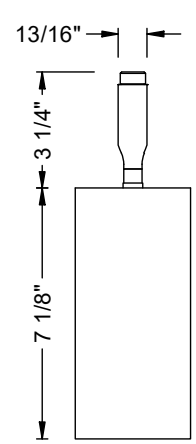
CABLE PENDANT
ZONYX



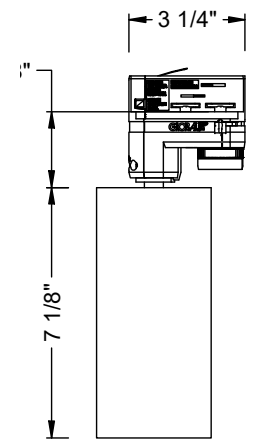
CABLE PENDANT
GEO / GEOH / GEOX



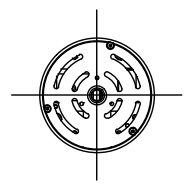
FIXED SPOT
ECOHF / ECOJF / LGTRF



FIXED SPOT
ZONF



FIXED SPOT
GEOF / GEOHF / GEOXF



FIXED CENTERED
FULCRUM

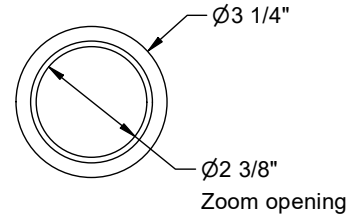
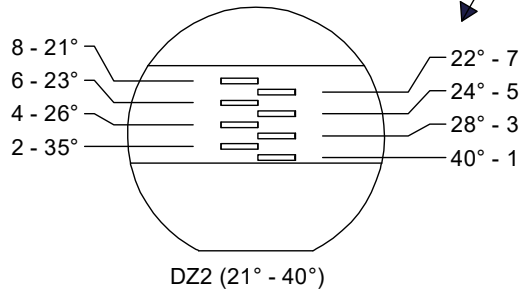
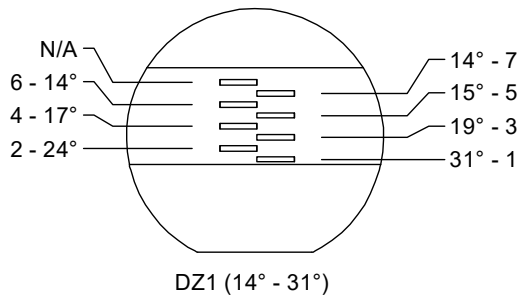
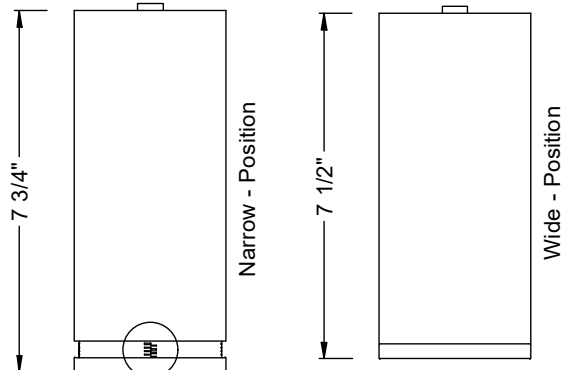
| PROJECT INFORMATION | | |
|---------------------|--|------|
| JOB NAME | | TYPE |
| ORDERING CODE | | |

DYNAMIC ZOOM - TRACK PENDANT



| LX MECHANICAL ZOOM | | | | |
|--|----------|-------|--------|------|
| SW (LED) | | | | |
| ZOOM | POSITION | CBCP | LUMENS | BEAM |
| DZ1 (6MM COB PERFORMANCE BASED ON 20LM PACKAGE) | 1 | 5360 | 1425 | 31 |
| | 2 | 7790 | 1390 | 24 |
| | 3 | 11070 | 1370 | 19 |
| | 4 | 14240 | 1330 | 17 |
| | 5 | 15920 | 1290 | 15 |
| | 6 | 15990 | 1230 | 14 |
| | 7 | 15580 | 1220 | 14 |
| ZOOM | POSITION | CBCP | LUMENS | BEAM |
| DZ2 (14MM COB PERFORMANCE BASED ON 40LM PACKAGE) | 1 | 5840 | 3090 | 40 |
| | 2 | 7360 | 3080 | 35 |
| | 3 | 9960 | 3050 | 28 |
| | 4 | 11160 | 3010 | 26 |
| | 5 | 12670 | 2910 | 24 |
| | 6 | 13160 | 2830 | 23 |
| | 7 | 13250 | 2700 | 22 |
| | 8 | 12860 | 2570 | 21 |

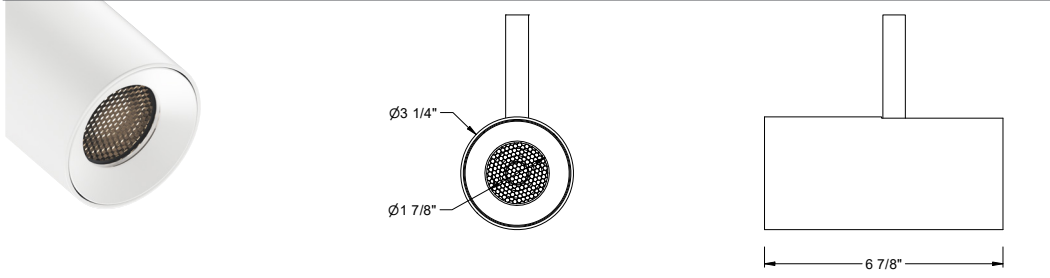
DYNAMIC ZOOM



| PROJECT INFORMATION | | |
|---------------------|--|------|
| JOB NAME | | TYPE |
| ORDERING CODE | | |

ACCESSORIES

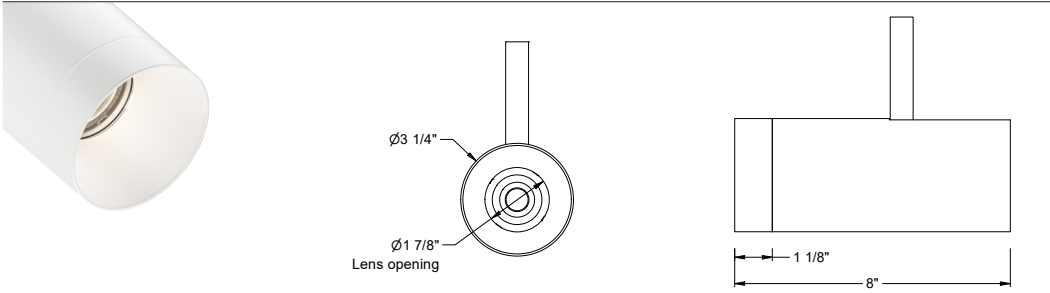
HONEYCOMB LOUVER



Accessories Ordering Codes^{1,2}

| | |
|--------|--|
| BDBK | barndoor, black (Cat. No. K20338BK) |
| SNTBK | snoot, black (Cat. No. K20336BK) |
| SNTWH | snoot, white (Cat. No. K20336WH) |
| SNTMC | snoot, matte chrome (Cat. No. K20336MC) |
| SHNTBK | shroud snoot, black (Cat. No. K20337BK) |
| SHNTWH | shroud snoot, white (Cat. No. K20337WH) |
| SHNTMC | shroud snoot, matte chrome (Cat. No. K20337MC) |

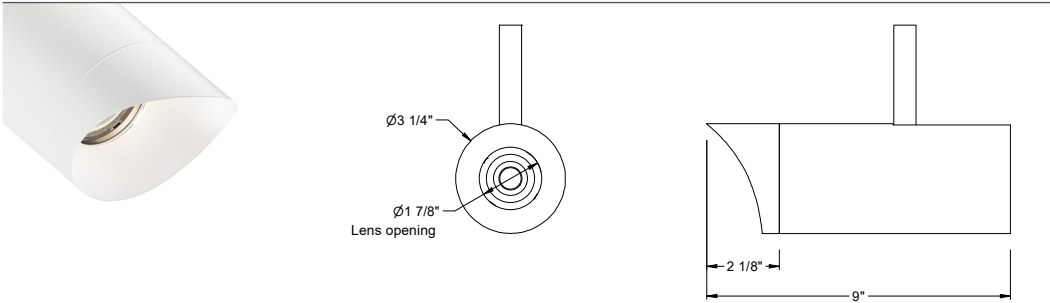
SNOOT



Lens Ordering Codes^{1,2}

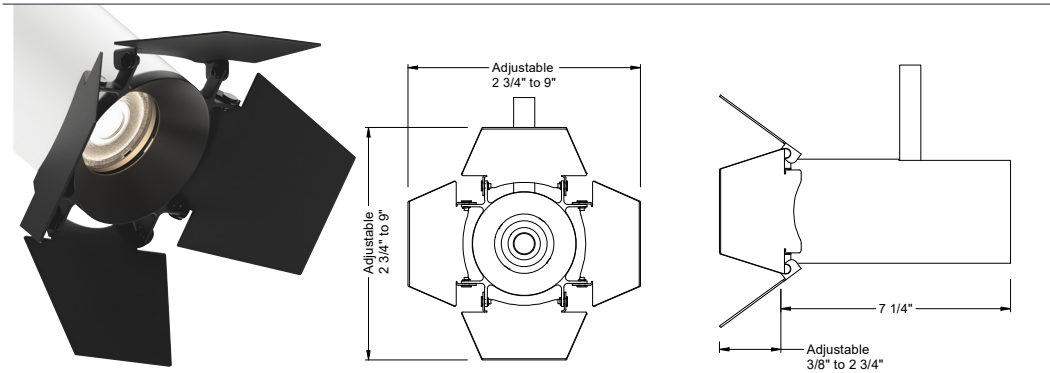
| | |
|--------------------|--|
| HCL | honeycomb louver (Cat. No. 81329) |
| E | elliptical lens, 30° X 60° (Cat. No. 74211-ELP) |
| SBL | smoothing beam lens (Cat. No. 74211-SBL) |
| DL | diffused lens (Cat. No. 74211) |
| BW | batwing lens (Cat. No. 74211-BW) |
| AB | asymmetric beam lens (Cat. No. 74211-AB) |
| HET | high efficiency textured lens, similar to Solite™ (Cat. No. 74211-HET) |
| CL | clear lens (Cat. No. 74211-CL) |
| CF-RD ³ | color filter - red (Cat. No. 74288-RD) |
| CF-BL ³ | color filter - blue (Cat. No. 74288-BL) |
| CF-GR ³ | color filter - green (Cat. No. 74288-GR) |
| CF-AM ³ | color filter - amber (Cat. No. 74288-AM) |
| BRT | bezel removal tool (Cat. No. 81639) |

SHROUD SNOOT

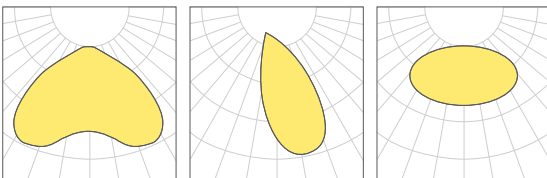


1. To order additional accessory or lens only use the catalog number.
2. Maximum 2pcs of media per fixture.
3. Maximum 1pcs of media per fixture.

BARNDOOR



LIGHT DISTRIBUTION



BATWING

ASYMMETRIC

ELLIPSE 30° X 60°