

LEX

Highline Track Spot Standard White



FEATURES

- LED track spot
- Compatible with High-Line
- Extruded aluminum housing with white, matte chrome or black finish.

MOUNTING

- High-Line track system

ELECTRICAL/CONTROLS

- 12Vac Input, 50/60 Hz, 12W. Compatible with Magnetic Remote Transformers (Bruck T-Remote Transformer). Capable of dimming to less than 10% when T-Remote transformer is loaded to 80% using a MLV dimmer. Dimming performance may vary, with a typical performance of 100% to 10% range.
- Recommended dimmers: Lutron Diva DVLV-600P, Lutron Nova T NTLV-600, Lutron SLV-600P, Lutron MALV-600, and Leviton illumatech IPMO6.

LISTING

- ETLus Listed to UL2108 (track suitable for dry locations only)
- cETL Listed to CSA C22.2 #9.0

LED INFO

- 90 CRI: SDCM = 2-step MacAdam Ellipse, Lumen Maintenance: $L_{70} > 66,000$ hrs
- 80 CRI: SDCM = 2-step MacAdam Ellipse, Lumen Maintenance: $L_{70} > 66,000$ hrs

PROJECT INFORMATION			
JOB NAME		TYPE	
ORDERING CODE			

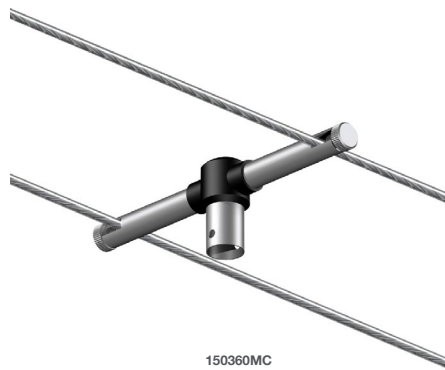
ORDERING CODE

SERIES	LEX										
LED	SW	standard white									
DELIVERED LUMENS	15LM	1350 lm									
CCT	27K	2700K	CCT	2700K	3000K	3500K	4000K				
	30K	3000K	CRI	80+	90+	80+	90+	80+	90+	80+	90+
	35K	3500K	CCT MULTIPLIER FOR LUMEN OUTPUT	0.96	0.81	1	0.85	1.03	0.88	1.06	0.91
40K	4000K										
CRI	80	80 CRI									
	90	90 CRI									
OPTICS & LM MULTIPLIER	20D	20 degrees (0.69)									
	30D	30 degrees (0.79)									
	35D	35 degrees (0.78)									
	40D	40 degrees (0.85)									
	GLASS	60 degrees (0.75)									
VOLTAGE	12	12V									
DIMMING	MLV	MLV dimming									
MOUNTING	HLMC	High-Line cable, matte chrome									
FINISH	BK	black									
	WH	white									
	MC	matte chrome									

ORDERING CODE

Follow the steps to specify your fixture, example:
LEX - SW - 15LM - 35K - 90 - 20D - 12 - MLV - HLMC - WH

INCLUDED TRACK ADAPTER (HIGHLINE)



150360MC

JOB NAME		TYPE	
ORDERING CODE			

PERFORMANCE DATA

20° - 40° BEAM		
(Note: Specifications are subject to change without notice)		
14mm COB PERFORMANCE DATA		
LED LIGHT ENGINE	NOMINAL DELIVERED LUMENS	SYSTEM WATTAGE
15LM	1350LM @30K/80CRI	12W
15LM	1150LM @30K/90CRI	12W

PHOTOMETRIC DATA

20D 20° TIR	
Throw Distance (ft)	Beam Diameter (ft)
6	94
8	53
10	34
12	23
14	17
Illuminance at Center (fc)	
WATTS: 12.4	LPW: 75.4
LUMENS: 935	CCT: 3000K
INTENSITY	
DEGREE	CANDELA
0	3368
5	2797
15	1124
25	442
35	162
45	50

30D 28° TIR	
Throw Distance (ft)	Beam Diameter (ft)
6	88
8	49
10	32
12	22
14	16
Illuminance at Center (fc)	
WATTS: 12.4	LPW: 86.2
LUMENS: 1069	CCT: 3000K
INTENSITY	
DEGREE	CANDELA
0	3168
5	2888
15	1460
25	480
35	155
45	57

35D 33° TIR	
Throw Distance (ft)	Beam Diameter (ft)
6	75
8	42
10	27
12	19
14	14
Illuminance at Center (fc)	
WATTS: 12.4	LPW: 84.9
LUMENS: 1052	CCT: 3000K
INTENSITY	
DEGREE	CANDELA
0	2703
5	2543
15	1513
25	460
35	144
45	60

40D 40° TIR	
Throw Distance (ft)	Beam Diameter (ft)
6	60
8	34
10	22
12	15
14	11
Illuminance at Center (fc)	
WATTS: 12.4	LPW: 92.5
LUMENS: 1148	CCT: 3000K
INTENSITY	
DEGREE	CANDELA
0	2153
5	2030
15	1434
25	733
35	198
45	64

- UGR calculation based on CIE 117-1995; room size: 4H X 8H, reflectance: 70/50/20;
- UGR calculation based on 10LM, 3000K, 80CRI fixtures.

REFLECTORS

OPTIC	BEAM ANGLE	UGR
20D	20.2	21
30D	28.3	20.2
35D	32.5	20.8
40D	40.1	21.3
GLASS	57.9	23.1

PROJECT INFORMATION

JOB NAME		TYPE	
ORDERING CODE			

MOUNTING OPTIONS

