

MOTO-ZERO 100

4" Motorized Track Spot Standard White

formalighting
COLLECTION

CASAMBI



DESCRIPTION

MOTO 100 motorized spots are idea for visual merchandising of retail product, museum, and gallery installations. These markets require easy of adjustment for proper illumination of continuously changing displays.

FEATURES*

- Two Motor Drive – 90° Tilt (both directions) and 350° Rotation
- 10° - 55° optical beam control
- Motion and dimming controlled by Casambi®
- Multiple glare control options and finishes available

HOUSING

- Casted aluminum housing and driver enclosure with black or white finish.

MOUNTING

- Global Trac Systems, GEO (TEK) 2-circuit/2-neutral and GEOX (XTSC) 3-circuit/1-neutral/1-databus

ELECTRICAL/CONTROLS

- 0-10V dimming through GEOX track databus, Motion and beam control by Casambi.
- Full Casambi control: dimming, motion and beam shaping.

LISTING

- cCSAus Listed to UL1574 (track suitable for dry locations only)

LED INFO

- 90 CRI: SDCM = 3-step MacAdam Ellipse, Lumen Maintenance: L₇₀ > 60,000 hrs

*Fixture is not designed or intended for scene setting.

*Refer Motolux Pro specification sheet for this type of application requirement.

PROJECT INFORMATION

JOB NAME		TYPE	
ORDERING CODE			

ORDERING CODE

SERIES	MOTO	AC motorized
TYPE	MS2	4" motorized track spot
LED	SW	standard white
DELIVERED LUMENS	30LM	2860 lm
CCT	27K 30K 35K 40K	2700K 3000K 3500K 4000K
CRI	90	90 CRI
VOLTAGE	120	120V
REFLECTOR	10D 25D 55D	10 degrees 12°, CBCP 27,584 25 degrees 27°, CBCP 7,152 55 degrees 55°, CBCP 3,352
DIMMING	CAS DIM10 ¹	Casambi Bluetooth control with flicker free 1% dimming 0-10V dimming to 1%
FINISH	BK WH	black white
MOUNTING OPTIONS	GEO GEOX ¹	GEO spot - two circuit, two neutral GEOX spot - two circuit, two neutral with databus
ACCESSORIES	See the last page for details.	

ORDERING CODE

Follow the steps to specify your fixture, example:

MOTO - MS2 - SW - 30LM - 27K - 90 - 120 - 25D - CAS - WH - ECO

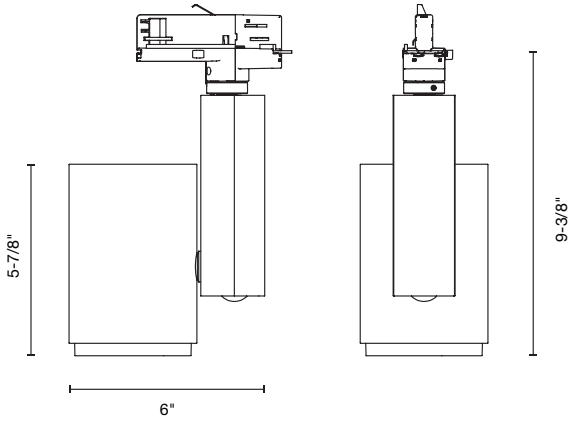
SW (LED)	POWER
DELIVERED LM	W (90 CRI)
2860	40

NOTES

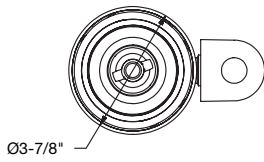
1. 0-10V dimming available only with GEOX adapter. Motion by Casambi.

PROJECT INFORMATION			
JOB NAME		TYPE	
ORDERING CODE			

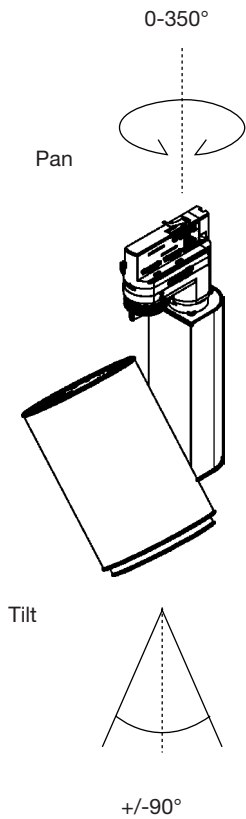
PRODUCT DIMENSIONS



(Shown with GEO/GEOX type adapter)



PRODUCT MOVEMENTS



PROJECT INFORMATION			
JOB NAME		TYPE	
ORDERING CODE			

ACCESSORIES

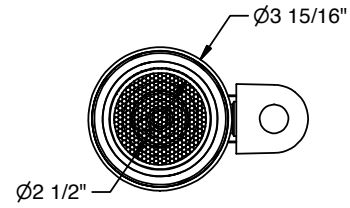
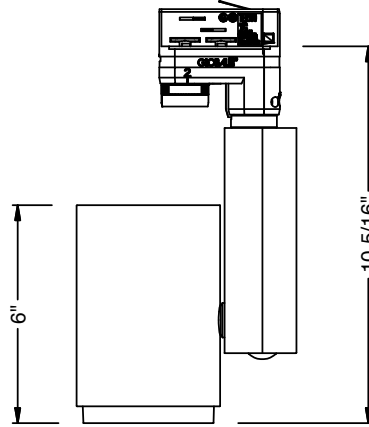
Accessories Ordering Codes¹

HCL	honeycomb louver (Cat. No. MOTO-MS2-SW-HCL)
LS	linear spread (Cat. No. MOTO-MS2-SW-LS)
SNOOT	snoot (Cat. No. MOTO-MS2-SW-SNOOT)
SHNT	shroud snoot (Cat. No. MOTO-MS2-SW-SHNT)

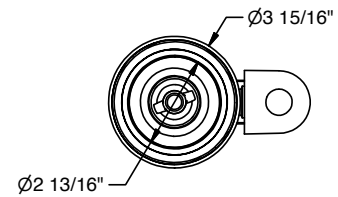
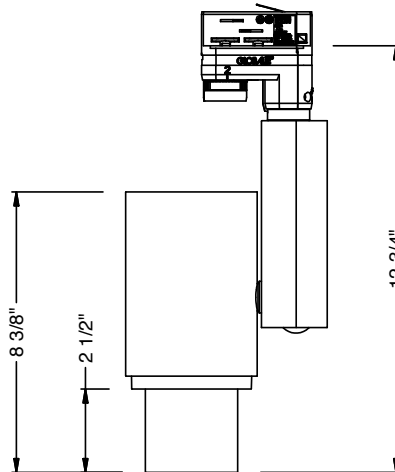
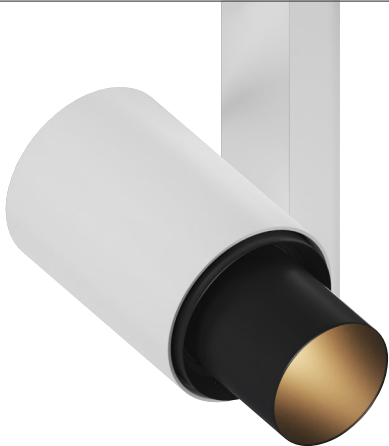
NOTES

1. Complete fixture ordering code by adding accessory ordering code. To order the accessory only use the catalog number.

HONEYCOMB LOUVER



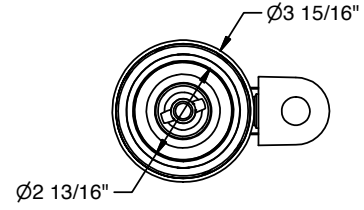
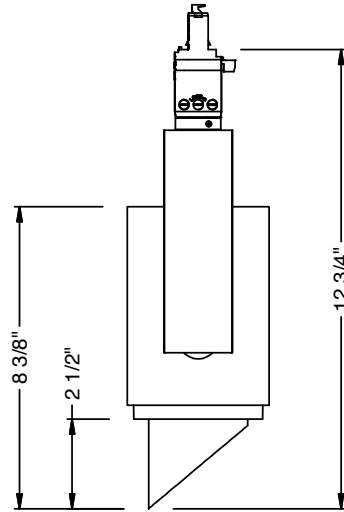
SNOOT



JOB NAME		TYPE	
ORDERING CODE			

ACCESSORIES (CONTINUED)

SHROUD SNOOT



LINEAR SPREAD

