

JOB NAME \_\_\_\_\_

CONTACT \_\_\_\_\_

ORDERING CODE \_\_\_\_\_

## ORDERING CODE

LM-79

**MOTO-ZERO 100** 4" Motorized Track Spot  
Standard White, Super Narrow

formalighting  
COLLECTION

CASAMBI



SERIES	MOTO	motorized track spot
TYPE	MS2	4" motorized track spot
LED	SW	standard white, multi high power LED
DELIVERED LUMENS	20LM	1510 lm
CCT	27K 30K 35K 40K	2700K 3000K 3500K 4000K
CRI	90	90 CRI
VOLTAGE	120	120V
LENS OPTION	N	narrow, TIR optic 7°, CBCP 47,091
DIMMING	CAS DIM10 <sup>1</sup>	Casambi Bluetooth control with flicker free 1% dimming 0-10V dimming to 1%
FINISH	BK WH	black white
MOUNTING OPTIONS	GEO GEOX <sup>1</sup>	GEO - two circuit GEO with databus - three circuit
ACCESSORIES	See the last page for details.	

## ORDERING CODE

Follow the steps to specify your fixture, example:  
**MOTO - MS2 - SW - 20LM - 27K - 90 - 120 - N - CAS - WH - ECO**

SW (LED)	POWER
DELIVERED LM	W (90 CRI)
1510	24

## NOTES

1. 0-10V dimming available only with GEOX adapter. Motion by Casambi.

## DESCRIPTION

MOTO 100 motorized spots are idea for visual merchandising of retail product, museum, and gallery installations. These markets require easy of adjustment for proper illumination of continuously changing displays.

## FEATURES\*

- Two Motor Drive – 90° Tilt (both directions) and 350° Rotation
- Full range of LED options – standard white, tunable white and color tuning
- Super Narrow 7° and 10° - 55° optical beam control
- Motion, CCT control, and dimming controlled by Casambi®
- Multiple glare control options and finishes available

## HOUSING

- Casted aluminum housing and driver enclosure with black or white finish.

## MOUNTING

- Global Trac Systems, GEO (TEK) 2-circuit/2-neutral and GEOX (XTSC) 3-circuit/1-neutral/1-databus

## ELECTRICAL/CONTROLS

- 0-10V dimming through GEOX track databus, Motion and beam control by Casambi.
- Full Casambi control: dimming, motion and beam shaping.

## LISTING

- cCSAus Listed to UL1574 (track suitable for dry locations only)

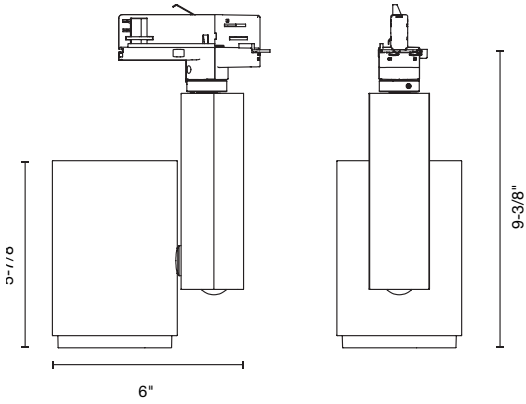
## LED INFO

- 90 CRI: SDCM = 3-step MacAdam Ellipse, Lumen Maintenance: L<sub>70</sub> > 60,500 hrs

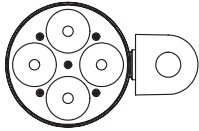
\*Fixture is not designed or intended for scene setting.

\*Refer Motolux Pro specification sheet for this type of application requirement.

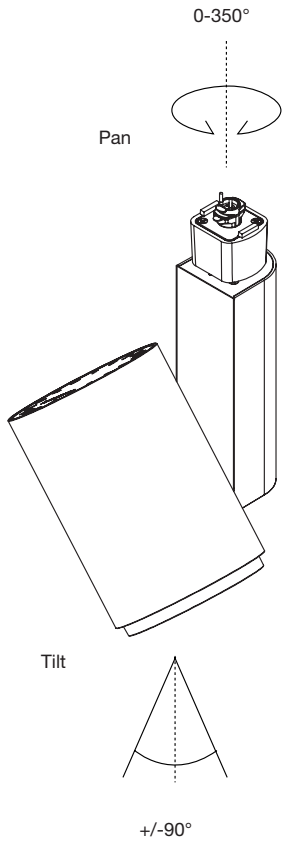
## PRODUCT DIMENSIONS



(Shown with GEO/GEOX type adapter)



## PRODUCT MOVEMENTS



## ACCESSORIES

### Accessories Ordering Codes<sup>1</sup>

HCL honeycomb louver (Cat. No. MOTO-MS2-SWN-HCL)

### NOTES

1. Complete fixture ordering code by adding accessory ordering code. To order the accessory only use the catalog number.

## HONEYCOMB LOUVER

