

JOB NAME _____

CONTACT _____

ORDERING CODE _____

ORDERING CODE

LM-79

MOTO-ZERO 100 4" Motorized Track Spot Tunable White

formalighting
COLLECTION



CASAMBI



SERIES	MOTO	motorized track spot
TYPE	MS2	4" motorized track spot
LED	TW ¹	tunable white (Luminus)
DELIVERED LUMENS	25LM	1775 lm
CCT	2765	2700K to 6500K tunable white
CRI	90	90 CRI
VOLTAGE	120	120V
LENS OPTION	20D 30D 40D	20 degrees 20° 30 degrees 29° 40 degrees 41°
DIMMING	CAS	Casambi Bluetooth control with flicker free 1% dimming
FINISH	BK WH	black white
MOUNTING OPTIONS	GEO	GEO - two circuit
ACCESSORIES	See the last page for details.	

ORDERING CODE _____

Follow the steps to specify your fixture, example:
MOTO - MS2 - TW - 25LM - 2765 - 90 - 120 - 20D - CAS - WH - ECO

TW (LED)	POWER
DELIVERED LM	W (90 CRI)
1775	28

NOTES
 1. Large driver compartment used for TW.

DESCRIPTION

MOTO 100 motorized spots are idea for visual merchandising of retail product, museum, and gallery installations. These markets require easy of adjustment for proper illumination of continuously changing displays.

FEATURES*

- Two Motor Drive – 90° Tilt (both directions) and 350° Rotation
- Full range of LED options – standard white, tunable white and color tuning
- Super Narrow 7° and 10° - 55° optical beam control
- Motion, CCT control, and dimming controlled by Casambi®
- Multiple glare control options and finishes available

HOUSING

- Casted aluminum housing and driver enclosure with black or white finish.

MOUNTING

- Global Trac Systems, GEO (TEK) 2-circuit/2-neutral.

LISTING

- cCSAus Listed to UL1574 (track suitable for dry locations only)

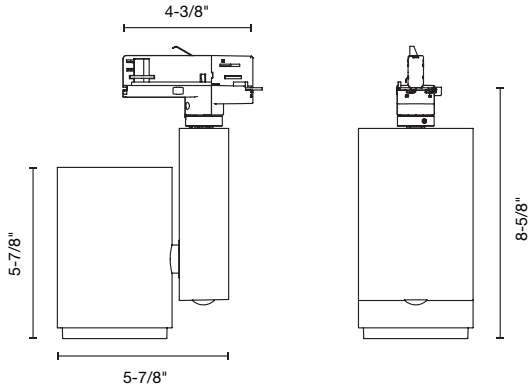
LED INFO

- Luminus tunable white COB:
 90 CRI, R9 > 70: SDCM = 3-step MacAdam Ellipse; Lumen Maintenance: L₇₀ > 54,000 hrs

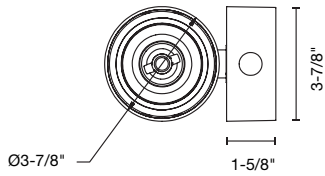
*Fixture is not designed or intended for scene setting.

*Refer Motolux Pro specification sheet for this type of application requirement.

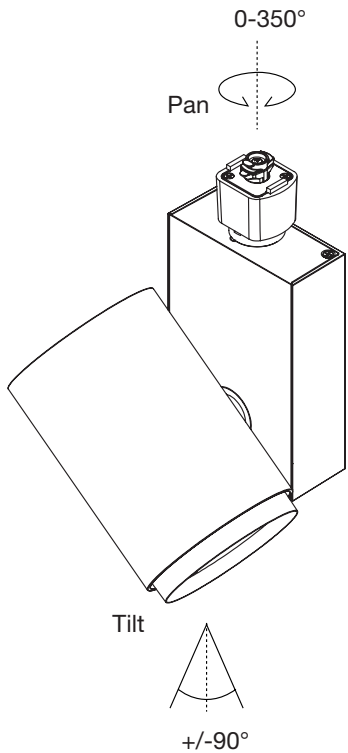
PRODUCT DIMENSIONS



(Shown with GEO/GEOX type adapter)



PRODUCT MOVEMENTS



ACCESSORIES

Accessories Ordering Codes¹

HCL honeycomb louver (Cat. No. MOTO-MS2-CT-HCL)

NOTES

1. Complete fixture ordering code by adding accessory ordering code. To order the accessory only use the catalog number.

HONEYCOMB LOUVER

