

JOB NAME _____

CONTACT _____

ORDERING CODE _____

ORDERING CODE

LM-79

MOTO-ZERO 66 2.5" Motorized Track Spot Tunable White

SERIES	MOTO	motorized track spot
TYPE	MS1	2.5" motorized track spot
LED	TW ¹	tunable white (Luminus)
DELIVERED LUMENS	13LM	927 lm
CCT	2765	2700K to 6500K tunable white
CRI	90	90 CRI
VOLTAGE	120	120V
LENS OPTION	20D 30D 40D	20 degrees 20° 30 degrees 29° 40 degrees 41°
DIMMING	CAS	Casambi Bluetooth control with flicker free 1% dimming
FINISH	BK WH	black white
MOUNTING OPTIONS	ECO JUNO GEO	ECO/HALO - single circuit Juno - single circuit GEO - two circuit
ACCESSORIES	See the last page for details.	

formalighting
COLLECTION



ORDERING CODE _____

Follow the steps to specify your fixture, example:
MOTO - MS1 - TW - 13LM - 2765 - 90 - 120 - 20D - CAS - WH - ECO

TW (LED)	POWER
DELIVERED LM	W (90 CRI)
927	28

NOTES
 1. Large driver compartment used for TW.

DESCRIPTION

MOTO 66 motorized spots are idea for visual merchandising of retail product, museum, and gallery installations. These markets require easy of adjustment for proper illumination of continuously changing displays.

FEATURES*

- Two Motor Drive – 90° Tilt (both directions) and 350° Rotation.
- Full range of LED options – standard white, tunable white and color tuning.
- Super Narrow 5°, 10° - 55°, and beam shaping 10° - 30° optical beam control.
- Motion, CCT control, beam and dimming controlled by Casambi®.
- Multiple mounting, glare control options and finishes available.

HOUSING

- Casted aluminum housing and driver enclosure with black or white finish.

MOUNTING

- ECO track / HALO® Power Trac track and Juno® track.
- Global Trac Systems, GEO (TEK) 2-circuit/2-neutral.

LISTING

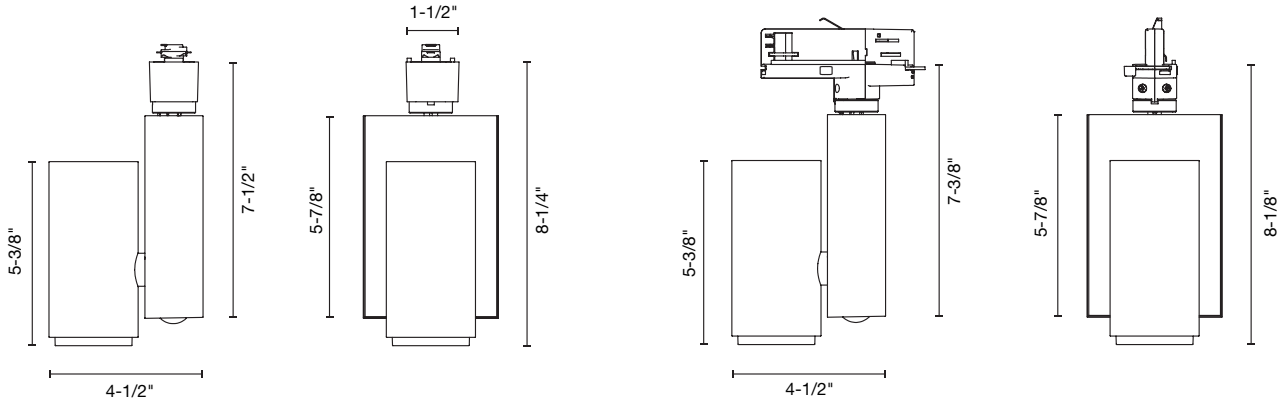
- cCSAus Listed to UL1574 (track suitable for dry locations only)

LED INFO

- Luminus tunable white COB:
 90 CRI, R9 > 70: SDCM = 3-step MacAdam Ellipse; Lumen Maintenance: L₇₀ > 54,000 hrs

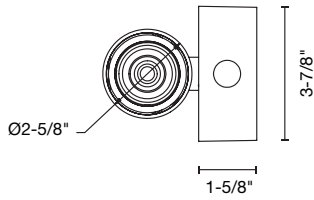
*Fixture is not designed or intended for scene setting. Refer Motolux Pro specification sheet for this type of application requirement.

PRODUCT DIMENSIONS

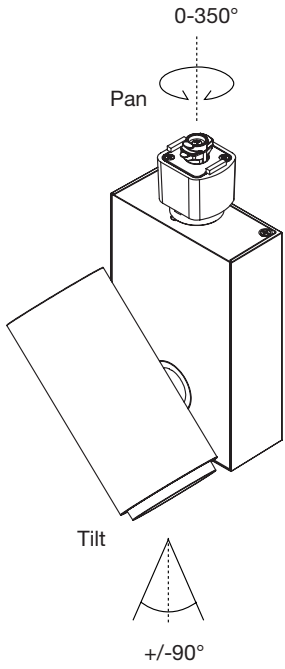


(Shown with ECO/HALO/JUNO type adapter)

(Shown with GEO/GEOX type adapter)



PRODUCT MOVEMENTS



ACCESSORIES

Accessories Ordering Codes¹

HCL honeycomb louver (Cat. No. MOTO-MS1-TW-HCL)

NOTES

1. Complete fixture ordering code by adding accessory ordering code. To order the accessory only use the catalog number.

HONEYCOMB LOUVER

