

MOTO-ZERO ZOOM PRO 130

5" Motorized Zoom Track Spot Standard White

formalighting
COLLECTION

COB CASAMBI



FEATURES*

- Two Motor Drive – 90° Tilt (both directions) and 350° Rotation.
- Beam shaping 7° - 18° optical beam control.
- Motion, beam and dimming controlled by Casambi®.
- Multiple glare control options and finishes available.

HOUSING

- Casted aluminum housing and driver enclosure with black or white finish.

MOUNTING

- Global Trac Systems, GEO (TEK) 2-circuit/2-neutral.
- Full Casambi® control: dimming, motion and beam shaping.

LISTING

- cCSAus Listed to UL1574 (track suitable for dry locations only)

LED INFO

- 95 CRI: SDCM = 3-step MacAdam Ellipse, Lumen Maintenance: L₇₀ > 55,000 hrs

-*Fixture is not intended for theatrical use.

PROJECT INFORMATION

JOB NAME		TYPE	
ORDERING CODE			

ORDERING CODE

SERIES	MOTO-PRO	AC motorized
TYPE	MZ3	5" zoom track spot
LED	SW	standard white
DELIVERED LUMENS	30LM	2800 lm
CCT	27K 30K 35K 40K	2700K 3000K 3500K 4000K
CRI	90	90 CRI
VOLTAGE	120	120V
LENS OPTION	BS3	beam shaping 7°-18°, TIR optic, CBCP 85,457
DIMMING	CAS	Casambi Bluetooth control with flicker free 1% dimming
FINISH	WH BK	white black
MOUNTING OPTIONS	GEO	GEO spot - two circuit, two neutral
ACCESSORIES	See the last page for details.	

ORDERING CODE

Follow the steps to specify your fixture, example:

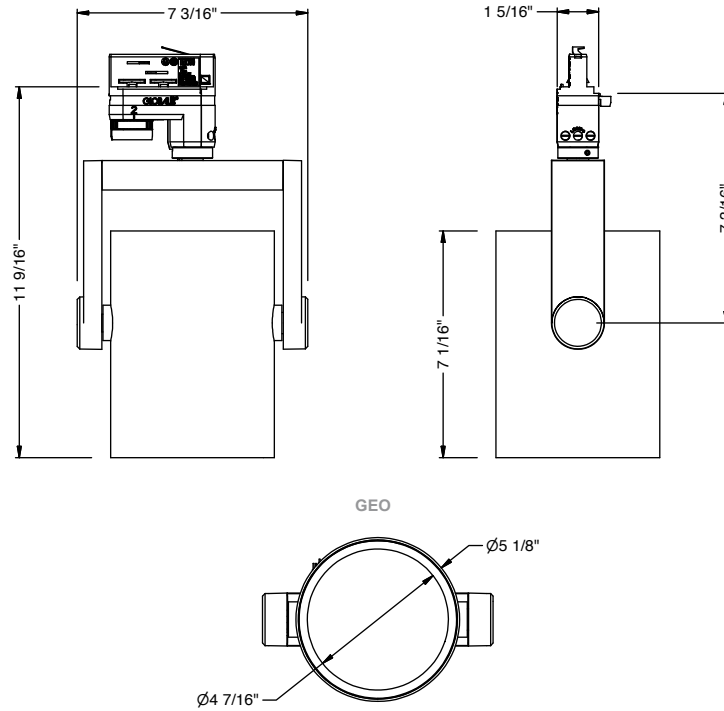
MOTO-PRO - MZ3 - SW - 30LM - 27K - 95 - 120 - BS3 - CAS - BK - GEO

SW (LED)	POWER
DELIVERED LM	W (95 CRI)
2800	28

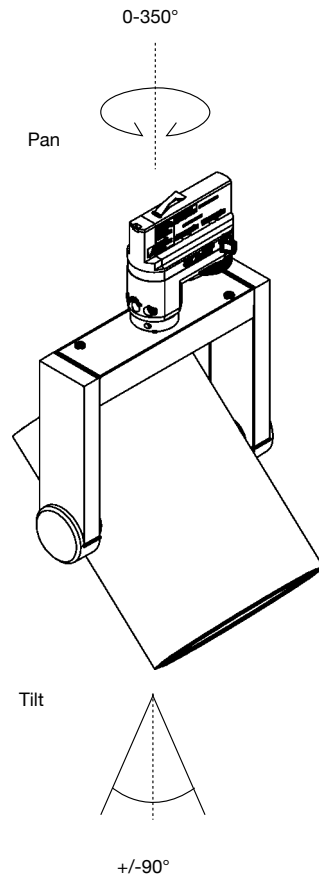
PROJECT INFORMATION

JOB NAME		TYPE	
ORDERING CODE			

PRODUCT DIMENSIONS



PRODUCT MOVEMENTS



PROJECT INFORMATION			
JOB NAME		TYPE	
ORDERING CODE			

ACCESSORIES

Accessories Ordering Codes¹

HCL honeycomb louver (Cat. No. MOTO-MZ3-HCL)

NOTES

1. Complete fixture ordering code by adding accessory ordering code. To order the accessory only use the catalog number.

HONEYCOMB LOUVER

