

## MOTO-ZERO ZOOM PRO 130

5" Motorized Zoom Track Spot Tunable White

formalighting  
COLLECTION

CASAMBI



### FEATURES

- Two Motor Drive – 90° Tilt (both directions) and 350° Rotation.
- beam shaping 13° - 20° optical beam control.
- Motion, CCT control, and dimming controlled by Casambi®.
- Multiple glare control options and finishes available.

### HOUSING

- Casted aluminum housing and driver enclosure with black or white finish.

### MOUNTING

- Global Trac Systems, GEO (TEK) 2-circuit/2-neutral.
- Full Casambi® control: dimming, motion and beam shaping.

### ELECTRICAL/CONTROLS

-

### LISTING

- cCSAus Listed to UL1574 (track suitable for dry locations only)

### LED INFO

- Bridgelux BXRV-TR-2750G:  
90 CRI, R9 > 70: SDCM = 3-step MacAdam Ellipse; Lumen Maintenance: L<sub>70</sub> > 55,000 hrs

- \*Fixture is not intended for theatrical use.

### PROJECT INFORMATION

JOB NAME		TYPE	
ORDERING CODE			

### ORDERING CODE

SERIES	MOTO-PRO	AC motorized
TYPE	MZ3	5" zoom track spot
LED	TW	tunable white (Bridgelux)
DELIVERED LUMENS	35LM	3000 lm
CCT	2750	2700K to 5000K tunable white
CRI	90	90 CRI
VOLTAGE	120	120V
LENS OPTION	BS4	beam shaping 13°-20°, TIR optic
DIMMING	CAS	Casambi Bluetooth control with flicker free 1% dimming
FINISH	WH BK	white black
MOUNTING OPTIONS	GEO	GEO spot - two circuit, two neutral
ACCESSORIES	See the last page for details.	

### ORDERING CODE

Follow the steps to specify your fixture, example:

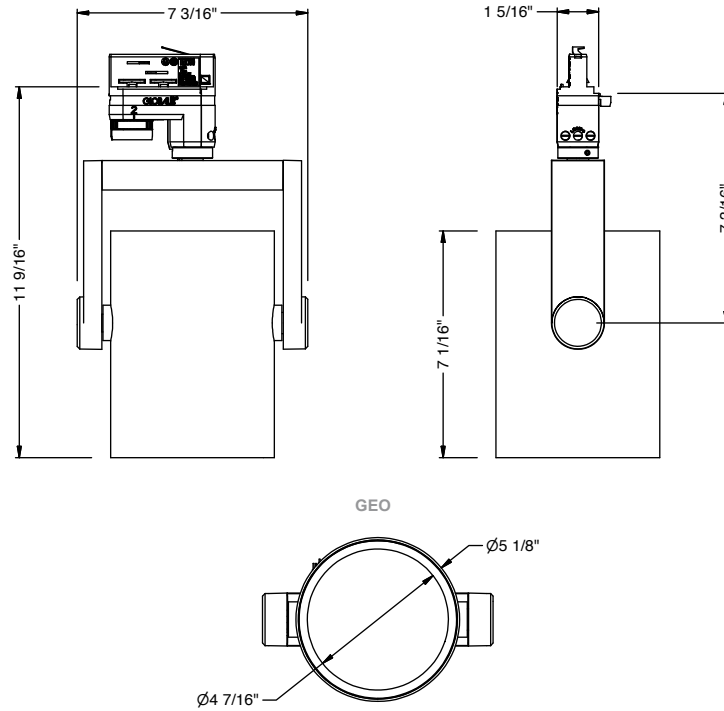
MOTO-PRO - MZ3 - TW - 35LM - 2750 - 90 - 120 - BS4 - CAS - BK - GEO

TW (LED)	POWER
DELIVERED LM	W (90 CRI)
3000	30

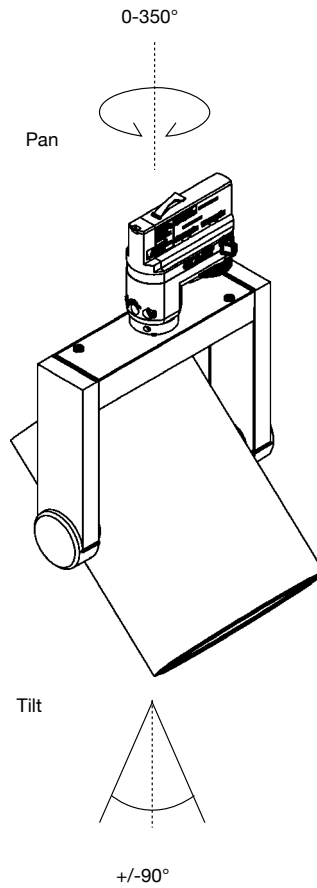
PROJECT INFORMATION

JOB NAME		TYPE	
ORDERING CODE			

PRODUCT DIMENSIONS



PRODUCT MOVEMENTS



PROJECT INFORMATION			
JOB NAME		TYPE	
ORDERING CODE			

## ACCESSORIES

### Accessories Ordering Codes<sup>1</sup>

**HCL**      honeycomb louver (Cat. No. MOTO-MZ3-HCL)

### NOTES

1. Complete fixture ordering code by adding accessory ordering code. To order the accessory only use the catalog number.

## HONEYCOMB LOUVER

