

JOB NAME _____

CONTACT _____

ORDERING CODE _____

ORDERING CODE

LM-79

MOTO-ZERO ZOOM 66 2.5" Motorized Zoom Track Spot
TRACK SPOT-SW Standard White

formalighting
COLLECTION

COB CASAMBI



SERIES	MOTO	motorized track spot
TYPE	MZ1	2.5" motorized zoom track spot
LED	SW	standard white
DELIVERED LUMENS	15LM	1060 lm
CCT	27K 30K 35K 40K	2700K 3000K 3500K 4000K
CRI	90	90 CRI
VOLTAGE	120	120V
LENS OPTION	BS1	beam shaping 10°-30°, TIR optic, CBCP 19,715
DIMMING	CAS DIM10¹	Casambi Bluetooth control with flicker free 1% dimming 0-10V dimming to 1%
FINISH	WH BK	white black
MOUNTING OPTIONS	ECO JUNO GEO GEOX¹	ECO/HALO - single circuit Juno - single circuit GEO - two circuit GEO with databus - three circuit

ORDERING CODE _____

Follow the steps to specify your fixture, example:

MOTO - MZ1 - SW - 15LM - 27K - 90 - 120 - BS1 - DIM10 - BK - ECO

SW (LED)	POWER
DELIVERED LM	W (90 CRI)
1060	14

NOTES

1. 0-10V dimming available only with GEOX adapter. Motion and beam shaping by Casambi.

DESCRIPTION

MOTO 66 motorized spots are idea for visual merchandising of retail product, museum, and gallery installations. These markets require easy of adjustment for proper illumination of continuously changing displays.

FEATURES*

- Two Motor Drive – 90° Tilt (both directions) and 350° Rotation.
- Full range of LED options – standard white, tunable white and color tuning.
- Super Narrow 5°, 10° - 55°, and beam shaping 10° - 30° optical beam control.
- Motion, CCT control, beam and dimming controlled by Casambi®.
- Multiple mounting, glare control options and finishes available.

HOUSING

- Casted aluminum housing and driver enclosure with black or white finish.

MOUNTING

- ECO track / HALO® Power Trac track and Juno® track.
- Global Trac Systems, GEO (TEK) 2-circuit/2-neutral and GEOX (XTSC) 3-circuit/1-neutral/1-databus.

ELECTRICAL/CONTROLS

- 0-10V dimming through GEOX track databus, Motion and beam control by Casambi.
- Full Casambi control: dimming, motion and beam shaping.

LISTING

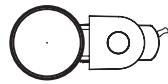
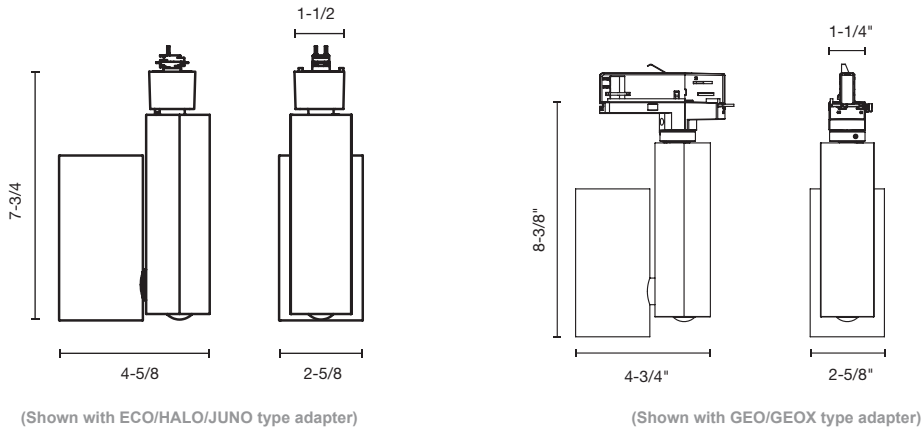
- cCSAus Listed to UL1574 (track suitable for dry locations only)

LED INFO

- 90 CRI: SDCM = 3-step MacAdam Ellipse, Lumen Maintenance: L₇₀ > 60,000 hrs

*Fixture is not designed or intended for scene setting. Refer Motolux Pro specification sheet for this type of application requirement.

PRODUCT DIMENSIONS



PRODUCT MOVEMENTS

