

PROJECT INFORMATION		
JOB NAME		TYPE
ORDERING CODE		

## MSGL

### MEVO Stucchi General Light Standard White



22" GENERAL LIGHT (Note: Specifications are subject to change without notice)		
CURRENT	NOMINAL DELIVERED LUMENS	SYSTEM WATTAGE
250MA	400LM @30K/90CRI	5W
350MA	500LM @30K/90CRI	7W
500MA	700LM @30K/90CRI	10W
700MA	1000LM @30K/90CRI	14W

44" GENERAL LIGHT (Note: Specifications are subject to change without notice)		
CURRENT	NOMINAL DELIVERED LUMENS	SYSTEM WATTAGE
250MA	750LM @30K/90CRI	10W
350MA	1050LM @30K/90CRI	14W
500MA	1800LM @30K/90CRI	19W
700MA	2000LM @30K/90CRI	26W

#### FEATURES

- Extruded aluminum housing with flat finish for clean aesthetics
- 110° beam spread.
- Mounting options include various STUCCHI track systems

#### DIMMING AND CONTROLS

- Flicker free 0-10V dimming to 0%

#### CONSTRUCTION

- Extruded aluminum housing
- Aluminum reflector

#### LED

- Ebright (or equal) LED: SDCM: 2-step MacAdam Ellipse, Lumen Maintenance:  $L_{70} > 66,000$  hrs

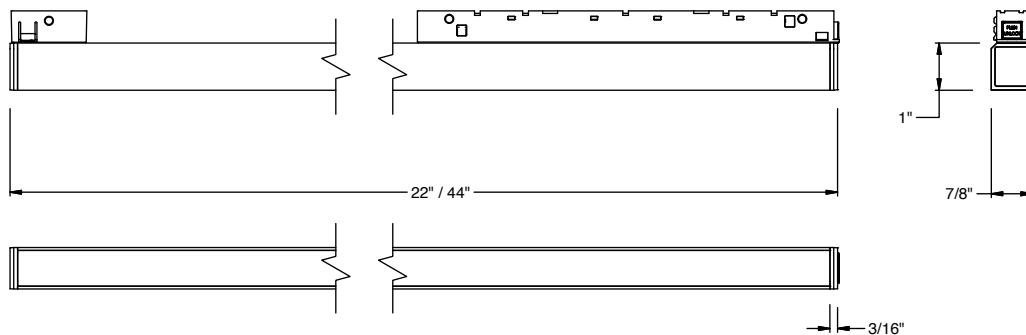
#### LISTING

- CSAus Listed to UL1574; cCSA Listed to CSA C22.2 #9.0
- Suitable for dry and damp locations
- 5 Year Limited warranty

#### ELECTRICAL

- 48V (Casambi, 0-10V)
- Power factor  $\geq 0.9$
- 2kV driver input surge protection

#### GENERAL LIGHT



PROJECT INFORMATION		
JOB NAME		TYPE
ORDERING CODE		

ORDERING CODE		
SERIES	MSGL	MS
LED	SW	standard white
CCT	35K	3500K (1.02)
	30K	3000K (1.00)
	27K	2700K (0.97)
CRI	90	90 CRI
SIZE	22	22" - 990lm, 13W
	44	44" - 2100lm, 26W
CURRENT	250	250mA
	350	350mA
	500	500mA
	700	700mA

ORDERING CODE		
MOUNTING OPTIONS	MEVO	48V stucchi multisystem track spot
FINISH	BK	black
	WH	white
VOLTAGE	48	48V
DIMMING	DIM10Z	0-10V dim to zero

YOUR COMPLETED ORDERING CODE
Follow the steps to specify your fixture, example:
<b>MSGL - SW - 30 - 90 - 44 - 700 - MEVO - BK - 48 - DIM10Z</b>

SIZE	LUMENS - 3000K				WATTAGE			
	250mA	350mA	500mA	700mA	250mA	350mA	500mA	700mA
22"	400	500	700	1000	5	7	10	14
44"	750	1050	1500	2000	10	14	19	26

## MOUNTING OPTIONS

