

MICRO

Microline 14x14 Flex



FEATURES

- Discreet 9/16" x 9/16" form factor.
- Max 290 lumens per foot delivered.
- Wide range of mounting and finish options available.
- Homogenous light distribution.

HOUSING

- Available in black, white, polished brass, gold, and brushed chrome finishes

MOUNTING

- Surface mount with U-clips or L mounting brackets.
- Capable of being mounted directly to magnetic surfaces.

ELECTRICAL/CONTROLS

- 6W per foot.
- 24V constant voltage remote driver required.
- Maximum 16' run per 96W driver. See wiring guide.

LISTING

- cULus Listed to UL2108

LED INFO

- SMD LED: 90, 95 CRI: SDCM = 3-step MacAdam Ellipse, Lumen Maintenance: L₇₀ > 50,000 hrs

PROJECT INFORMATION			
JOB NAME		TYPE	
ORDERING CODE			

ORDERING CODE

SERIES	MICRO	microline	
TYPE	MF3	microline flex 14x14 standard	
LED	SW	standard white	
SIZE	1	1 link, 2-1/2", 70lm delivered	
	2	2 link, 5-1/2", 140lm delivered	
	3	3 link, 8-1/2", 210lm delivered	
	4	4 link, 11-7/16", 280lm delivered	
	5	5 link, 14-3/8", 350lm delivered	
	6	6 link, 17-5/16", 420lm delivered	
	7	7 link, 20-1/4", 490lm delivered	
	8	8 link, 23-1/4", 560lm delivered	
	9	9 link, 26-3/16", 630lm delivered	
	10	10 link, 29-1/8", 700lm delivered	
	11	11 link, 32", 770lm delivered	
	12	12 link, 35", 840lm delivered	
	13	13 link, 38", 910lm delivered	
	14	14 link, 41", 980lm delivered	
	15	15 link, 44", 1050lm delivered	
	16	16 link, 46-7/8", 1120lm delivered	
CCT	18K	1800K	(0.75)
	22K	2200K	(0.80)
	24K	2400K	(0.88)
	27K	2700K	(0.95)
	30K	3000K	(1.00)
	35K	3500K	(1.03)
	40K	4000K	(1.06)
CRI	90 ¹	90 CRI+	
	95	95 CRI+	
LENS OPTION	C	clear lens	(1.00)
	D	diffused	(0.73)
	UD	ultra diffused	(0.74)
FINISH	BK	black	
	WH	white	
	AL	brushed chrome	
	GD	gold	
	BS	polished brass	
VOLTAGE	24	24V	
ACCESSORIES	See page 2 for details.		

Follow the steps to specify your fixture, example:

MICRO - MF3 - SW - 6 - 30K - 95 - C - BK - 24

NOTES

1. Available in 18K/22K/24K.

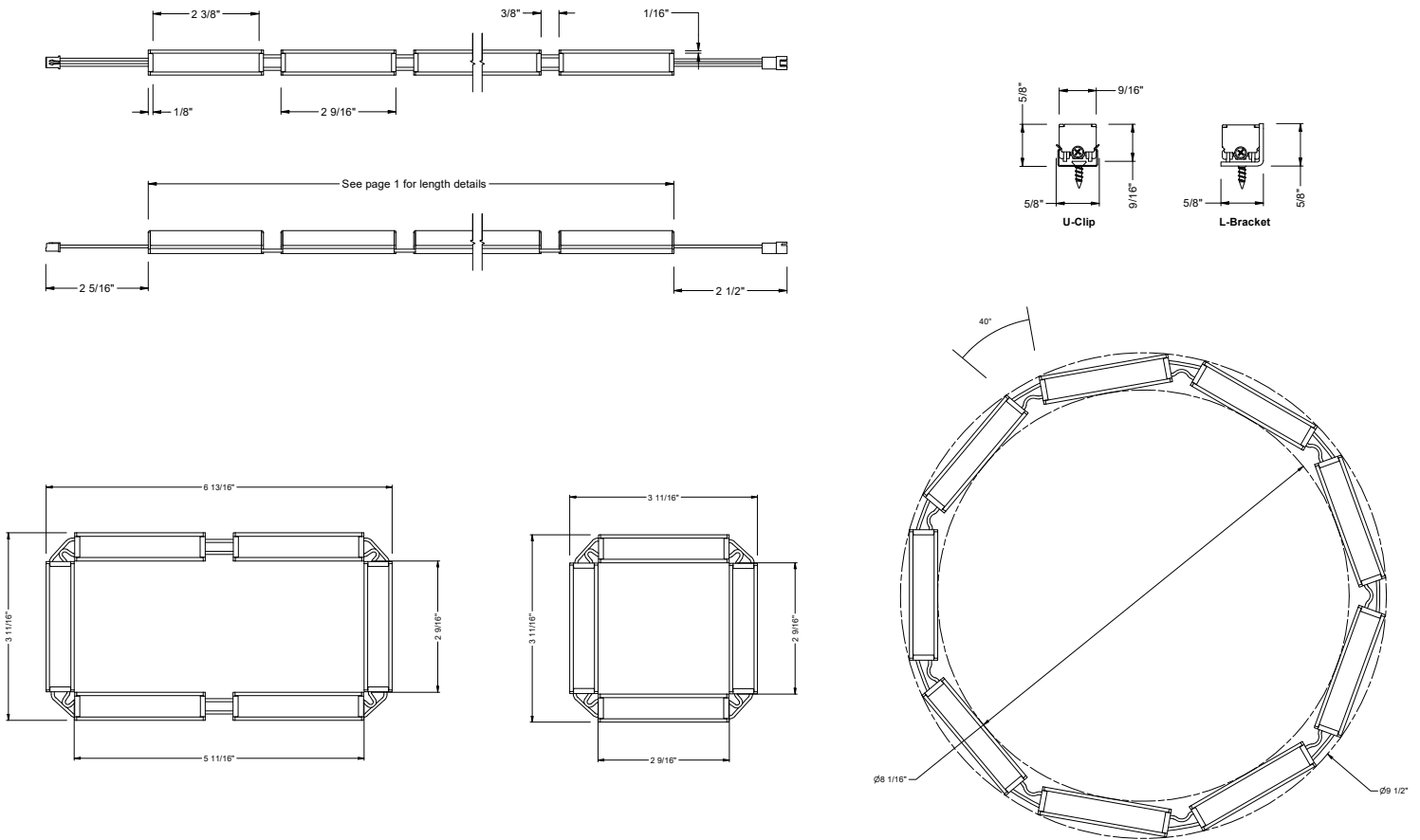
PROJECT INFORMATION

JOB NAME		TYPE	
ORDERING CODE			

POWER TABLE

MICRO	DELIVERED LUMENS	LED POWER
NO. LINKS	LUMENS (3000K)	W (95CRI+)
1 LINK	70	2
2 LINK	140	3
3 LINK	210	3.6
4 LINK	280	5
5 LINK	350	6
6 LINK	420	8
7 LINK	490	9
8 LINK	560	10
9 LINK	630	11
10 LINK	700	12
11 LINK	770	14
12 LINK	840	15
13 LINK	910	16
14 LINK	980	17
15 LINK	1050	18
16 LINK	1120	20

PRODUCT DIMENSIONS



ACCESSORIES

MICRO-EXT-HARNESS¹	40" extension harness, microline to driver
MICRO-DRIVER-HARNESS	12" wire leads with female plug, included with driver
MICRO-LBRKT^{2,3}	mounting L-bracket
MICRO-UCLIP^{2,3}	mounting U-clip
MICRO-SCREW^{2,3}	screw for U-clip and brackets

NOTES

- Do not use more than five (5) harness extensions on a single run.
- Mounting accessories are only for additional or spare circumstances.
- All Microline include adequate quantity of mounting components.

3. Must order one per link.

PROJECT INFORMATION

JOB NAME		TYPE	
ORDERING CODE			

REMOTE DRIVER - 24VDC DRIVER

SERIES	P70501-MICRO	LED driver with box and harness
VOLTAGE	24	24V
DIMMING	DIM10	0-10V dimming to 1%
ELECTRICAL OPTIONS	96	96W

ORDERING CODE _____

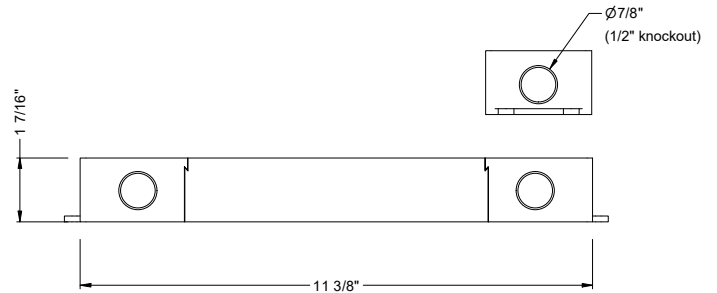
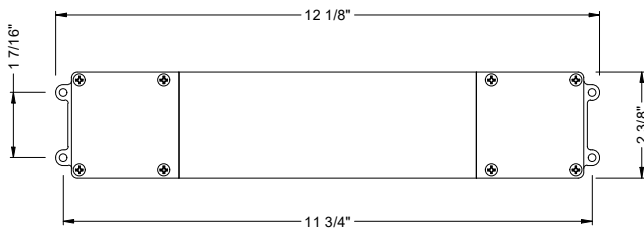
Follow the steps to specify your fixture, example:
P70501 - MICRO - 24 - DIM10 - 96

DESCRIPTION

- 0-10V dimmable smooth flicker free dimming down to 1%
- Integrated junction box with multiple 7/8" knockouts
- UL2043 plenum rated

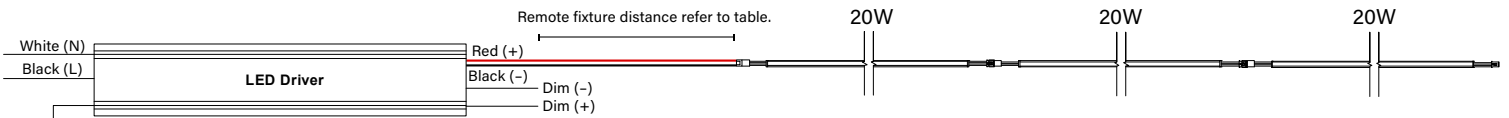
ELECTRICAL/CONTROLS

- 120-277Vac, 50/60Hz input
- 24Vdc, 96W output
- 0-10V compatible
- Operating temperature: -13°F to 104°F
- Class II rated
- Short circuit protection
- Overload protection
- Over-voltage protection
- Thermal protection
- IP 66 rated



WIRING GUIDES

SERIES

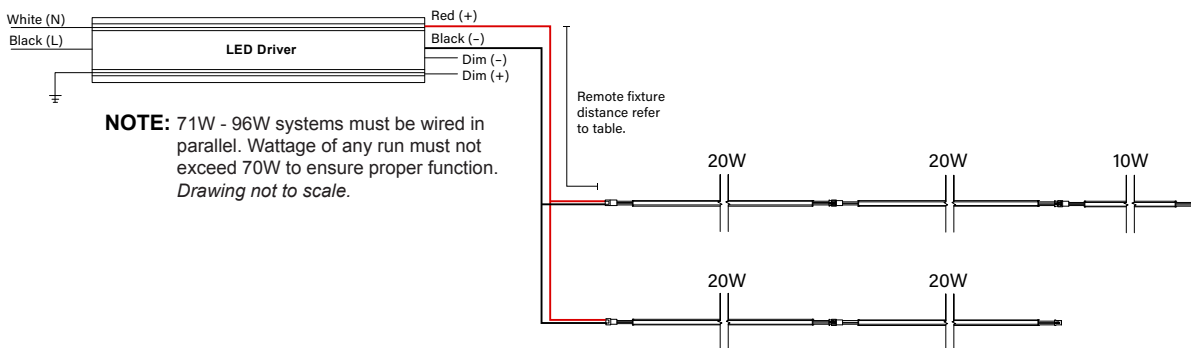


NOTE: 0W - 70W systems wired in series OK.
 Drawing not to scale.

REMOTE FIXTURE DISTANCE	
AWG VALUE	DISTANCE (FT)
20 AWG (USING MICRO-EXT-HARNESS)1	16.4
16 AWG (BY OTHERS)	30
14 AWG (BY OTHERS)	50
12 AWG (BY OTHERS)	70

1. Five (5) harness extension maximum used to achieve distance.

PARALLEL



NOTE: 71W - 96W systems must be wired in parallel. Wattage of any run must not exceed 70W to ensure proper function.
 Drawing not to scale.