

## MICRO

### Microline 7x7 Corner Rigid



#### FEATURES

- Discreet 1/4" x 1/4" form factor.
- Max 285 lumens per foot delivered.
- Full range of mounting and finish options available.
- Homogenous light distribution.

#### HOUSING

- Small form extruded aluminum body.
- Available in black, white, polished brass, gold, and brushed chrome finishes.

#### MOUNTING

- Surface mount with U-clips or L mounting brackets.
- Capable of being mounted directly to magnetic surfaces.

#### ELECTRICAL/CONTROLS

- 5W per foot.
- 24V constant voltage remote driver required.
- Maximum 19' run per 96W driver. See wiring guide.

#### LISTING

- cULus Listed to UL2108

#### LED INFO

- SMD LED: 90, 95 CRI: SDCM = 3-step MacAdam Ellipse, Lumen Maintenance: L<sub>70</sub> > 50,000 hrs

PROJECT INFORMATION			
JOB NAME		TYPE	
ORDERING CODE			

#### ORDERING CODE

<b>SERIES</b>	<b>MICRO</b>	microline	
<b>TYPE</b>	<b>MR1-WW</b>	microline rigid 7x7 corner	
<b>LED</b>	<b>SW</b>	standard white	
<b>SIZE</b>	2	2", 50lm delivered	
	4	3-3/4", 100lm delivered	
	6	5-1/2", 150lm delivered	
	7	7-1/4", 175lm delivered	
	9	9-1/16", 225lm delivered	
	11	10-13/16", 275lm delivered	
	12	12-5/8", 300lm delivered	
	18	17-15/16", 450lm delivered	
	24	23-1/4", 600lm delivered	
	36	35-5/8", 900lm delivered	
	46	46-1/4", 1150lm delivered	
	Consult factory for additional lengths		
<b>CCT</b>	<b>18K</b>	1800K	(0.75)
	<b>22K</b>	2200K	(0.80)
	<b>24K</b>	2400K	(0.88)
	<b>27K</b>	2700K	(0.95)
	<b>30K</b>	3000K	(1.00)
	<b>35K</b>	3500K	(1.03)
	<b>40K</b>	4000K	(1.06)
<b>CRI</b>	<b>90<sup>+</sup></b>	90 CRI+	
	<b>95</b>	95 CRI+	
<b>LENS OPTIONS</b>	<b>C</b>	clear lens	(1.00)
	<b>D</b>	diffused	(0.85)
	<b>UD</b>	ultra diffused	(0.68)
<b>FINISH</b>	<b>BK</b>	black	
	<b>WH</b>	white	
	<b>AL</b>	brushed chrome	
	<b>GD</b>	gold	
	<b>BS</b>	polished brass	
<b>VOLTAGE</b>	<b>24</b>	24V	
<b>ACCESSORIES</b>	See page 2 for details.		

Follow the steps to specify your fixture, example:  
**MICRO - MR1 - WW - SW - 6 - 30K - 95 - C - BK - 24**

#### NOTES

1. Available in 18K/22K/24K.

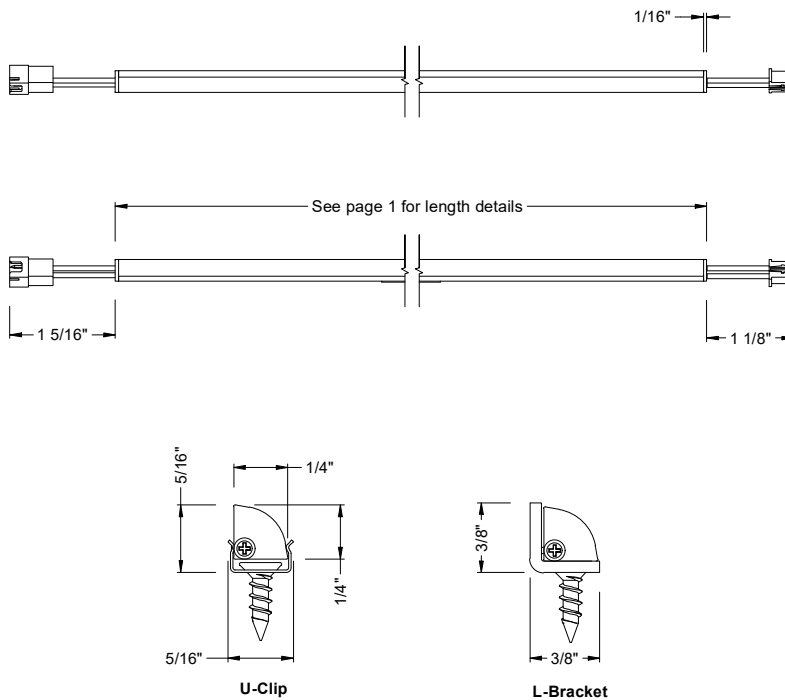
**PROJECT INFORMATION**

JOB NAME		TYPE	
ORDERING CODE			

**POWER TABLE**

MICRO LENGTHS (IN)	DELIVERED LUMENS LUMENS (3000K)	LED POWER W (95CRI+)
2	50	1
4	100	2
6	150	3
7	175	3
9	225	4
11	275	5
12	300	5
18	450	8
24	600	10
36	900	15
46	1150	19

**PRODUCT DIMENSIONS**



**ACCESSORIES**

- MICRO-EXT-HARNESS<sup>1</sup>** 40" extension harness, microline to driver
- MICRO-DRIVER-HARNESS** 12" wire leads with female plug, included with driver
- MICRO-LBRKT<sup>2</sup>** mounting L-bracket
- MICRO-UCLIP<sup>2</sup>** mounting U-clip
- MICRO-SCREW<sup>2</sup>** screw for U-clip and brackets

**NOTES**  
 1. Do not use more than five (5) harness extensions on a single run.  
 2. Mounting accessories are only for additional or spare circumstances.  
 All Microline include adequate quantity of mounting components.

## PROJECT INFORMATION

JOB NAME		TYPE	
ORDERING CODE			

## REMOTE DRIVER - 24VDC DRIVER

SERIES	P70501-MICRO	LED driver with box and harness
VOLTAGE	24	24V
DIMMING	DIM10	0-10V dimming to 1%
ELECTRICAL OPTIONS	96	96W

ORDERING CODE

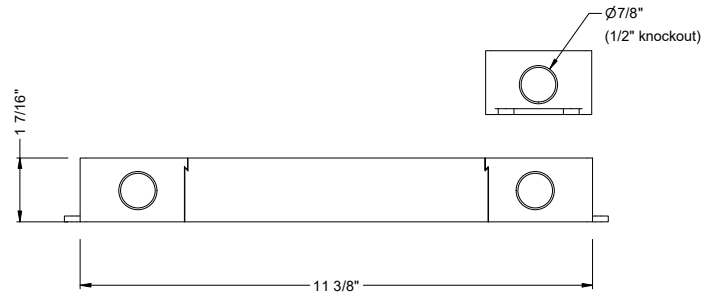
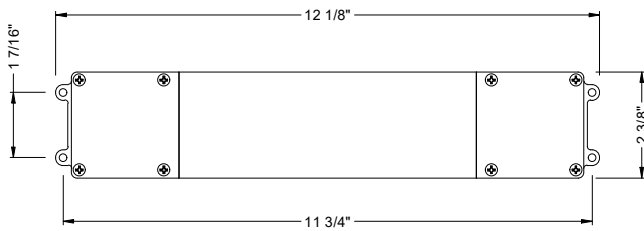
Follow the steps to specify your fixture, example:  
P70501 - MICRO - 24 - DIM10 - 96

## DESCRIPTION

- 0-10V dimmable smooth flicker free dimming down to 1%
- Integrated junction box with multiple 7/8" knockouts
- UL2043 plenum rated

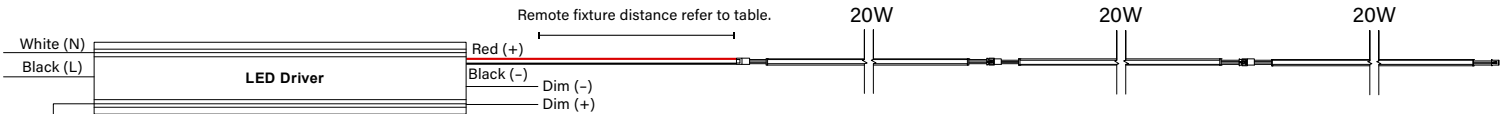
## ELECTRICAL/CONTROLS

- 120-277Vac, 50/60Hz input
- 24Vdc, 96W output
- 0-10V compatible
- Operating temperature: -13°F to 104°F
- Class II rated
- Short circuit protection
- Overload protection
- Over-voltage protection
- Thermal protection
- IP 66 rated



## WIRING GUIDES

### SERIES

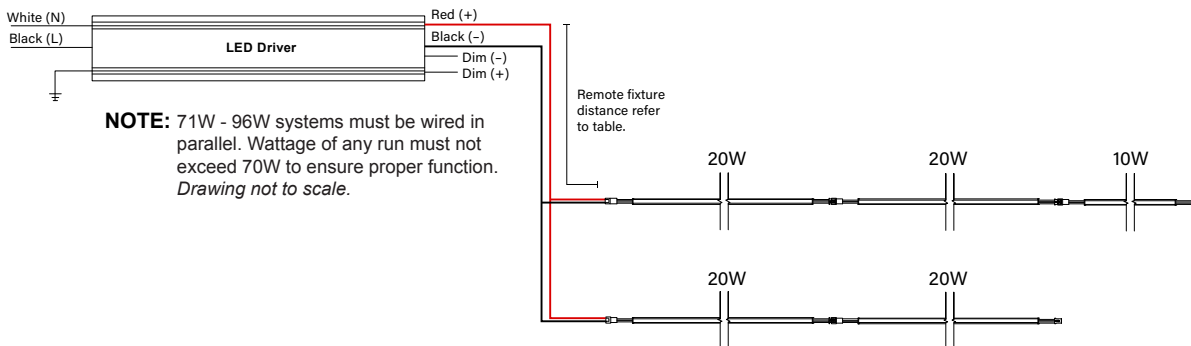


**NOTE:** 0W - 70W systems wired in series OK.  
Drawing not to scale.

REMOTE FIXTURE DISTANCE	
AWG VALUE	DISTANCE (FT)
20 AWG (USING MICRO-EXT-HARNESS)1	16.4
16 AWG (BY OTHERS)	30
14 AWG (BY OTHERS)	50
12 AWG (BY OTHERS)	70

1. Five (5) harness extension maximum used to achieve distance.

### PARALLEL



**NOTE:** 71W - 96W systems must be wired in parallel. Wattage of any run must not exceed 70W to ensure proper function.  
Drawing not to scale.