

MICRO

Microline 7x7 Corner Flex



FEATURES

- Discreet 1/4" x 1/4" form factor.
- Max 290 lumens per foot delivered.
- Full range of mounting and finish options available.
- Homogenous light distribution.

HOUSING

- Multiple small form extruded aluminum bodies
- Available in black, white, polished brass, gold, and brushed chrome finishes

MOUNTING

- Surface mount with U-clips or L mounting brackets.
- Capable of being mounted directly to magnetic surfaces.

ELECTRICAL/CONTROLS

- 5W per foot.
- 24V constant voltage remote driver required.
- Maximum 19' run per 96W driver. See wiring guide.

LISTING

- cULus Listed to UL2108

LED INFO

- SMD LED: 90, 95 CRI: SDCM = 3-step MacAdam Ellipse,
- Lumen Maintenance: L₇₀ > 50,000 hrs

PROJECT INFORMATION

JOB NAME		TYPE	
ORDERING CODE			

ORDERING CODE

SERIES	MICRO	microline	
TYPE	MF1-WW	microline flex 7x7 corner	
LED	SW	standard white	
SIZE			
	1	1 link, 2", 55lm delivered	
	2	2 link, 4-1/4", 110lm delivered	
	3	3 link, 6-1/2", 165lm delivered	
	4	4 link, 8-15/16", 220lm delivered	
	5	5 link, 11-1/4", 275lm delivered	
	6	6 link, 13-1/2", 330lm delivered	
	7	7 link, 15-7/8", 385lm delivered	
	8	8 link, 18-1/4", 440lm delivered	
	9	9 link, 20-1/2", 495lm delivered	
	10	10 link, 22-7/8", 550lm delivered	
	11	11 link, 25-3/16", 605lm delivered	
	12	12 link, 27-1/2", 660lm delivered	
	13	13 link, 29-7/8", 715lm delivered	
	14	14 link, 32-1/8", 770lm delivered	
	15	15 link, 34-1/2", 825lm delivered	
	16	16 link, 36-3/4", 880lm delivered	
	17	17 link, 39-1/8", 935lm delivered	
	18	18 link, 41-7/16", 990lm delivered	
	19	19 link, 43-3/4", 1045lm delivered	
	20	20 link, 46-1/16", 1100lm delivered	
CCT	18K	1800K	(0.75)
	22K	2200K	(0.80)
	24K	2400K	(0.88)
	27K	2700K	(0.95)
	30K	3000K	(1.00)
	35K	3500K	(1.03)
	40K	4000K	(1.06)
CRI	90'	90 CRI+	
	95	95 CRI+	
LENS OPTIONS	C	clear lens	(1.00)
	D	diffused	(0.85)
	UD	ultra diffused	(0.60)
FINISH	BK	black	
	WH	white	
	BS	polished brass	
	GD	gold	
	AL	brushed chrome	
VOLTAGE	24	24V	
ACCESSORIES	See page 2 for details.		

Follow the steps to specify your fixture, example:

MICRO - MF1 - WW - SW - 3 - 30K - 95 - C - BK - 24

NOTES

1. Available in 18K/22K/24K.

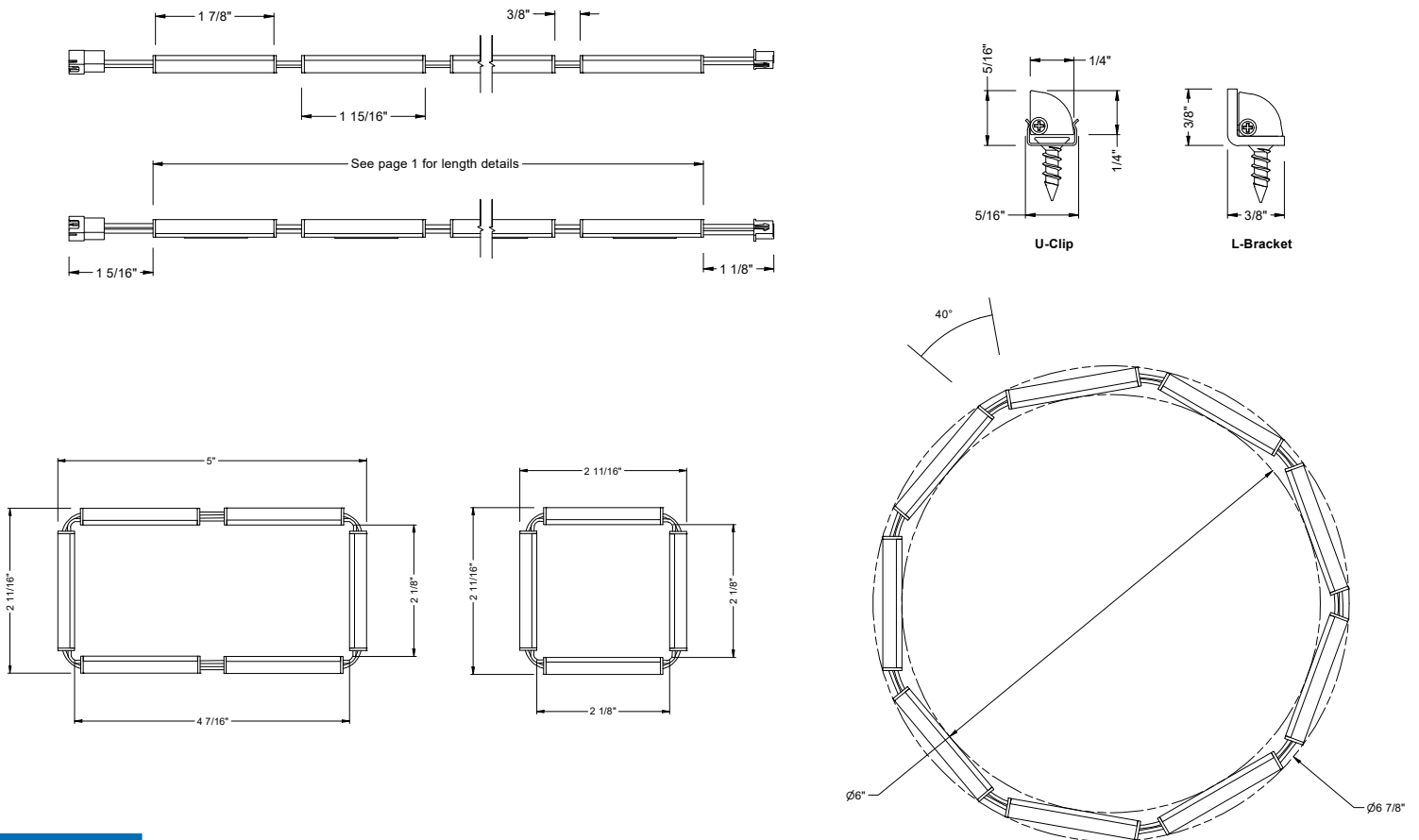
PROJECT INFORMATION

JOB NAME		TYPE	
ORDERING CODE			

POWER TABLE

MICRO	DELIVERED LUMENS	LED POWER
NO. LINKS	LUMENS (3000K)	W (95CRI+)
1 LINK	55	1
2 LINK	110	2
3 LINK	165	3
4 LINK	220	3
5 LINK	275	4
6 LINK	330	5
7 LINK	385	5
8 LINK	440	6
9 LINK	495	7
10 LINK	550	8
11 LINK	605	8
12 LINK	660	9
13 LINK	715	10
14 LINK	770	10
15 LINK	825	11
16 LINK	880	12
17 LINK	935	13
18 LINK	990	13
19 LINK	1045	14
20 LINK	1100	15

PRODUCT DIMENSIONS



ACCESSORIES

- MICRO-EXT-HARNESS¹** 40" extension harness, microline to driver
- MICRO-DRIVER-HARNESS** 12" wire leads with female plug, included with driver
- MICRO-LBRKT^{2,3}** mounting L-bracket
- MICRO-UCLIP^{2,3}** mounting U-clip
- MICRO-SCREW^{2,3}** screw for U-clip and brackets

NOTES
 1. Do not use more than five (5) harness extensions on a single run.
 2. Mounting accessories are only for additional or spare circumstances.
 All Microline include adequate quantity of mounting components.
 3. Must order one per link.

PROJECT INFORMATION

JOB NAME		TYPE	
ORDERING CODE			

REMOTE DRIVER - 24VDC DRIVER

SERIES	P70501-MICRO	LED driver with box and harness
VOLTAGE	24	24V
DIMMING	DIM10	0-10V dimming to 1%
ELECTRICAL OPTIONS	96	96W

ORDERING CODE

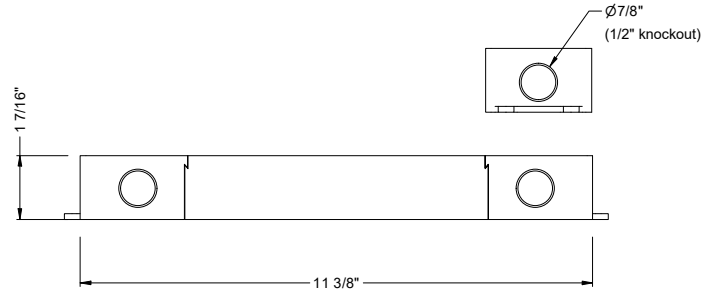
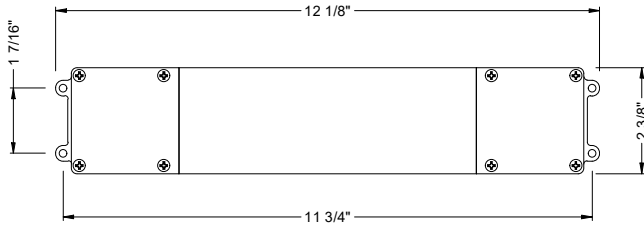
Follow the steps to specify your fixture, example:
P70501 - MICRO - 24 - DIM10 - 96

DESCRIPTION

- 0-10V dimmable smooth flicker free dimming down to 1%
- Integrated junction box with multiple 7/8" knockouts
- UL2043 plenum rated

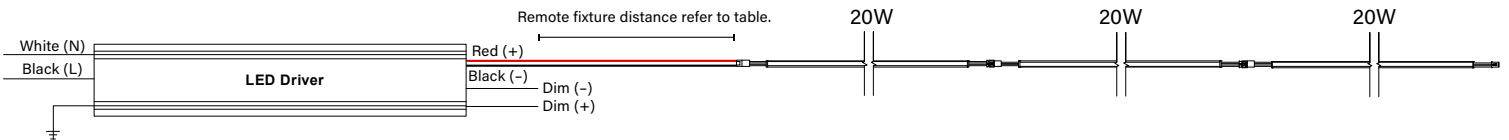
ELECTRICAL/CONTROLS

- 120-277Vac, 50/60Hz input
- 24Vdc, 96W output
- 0-10V compatible
- Operating temperature: -13°F to 104°F
- Class II rated
- Short circuit protection
- Overload protection
- Over-voltage protection
- Thermal protection
- IP 66 rated



WIRING GUIDES

SERIES

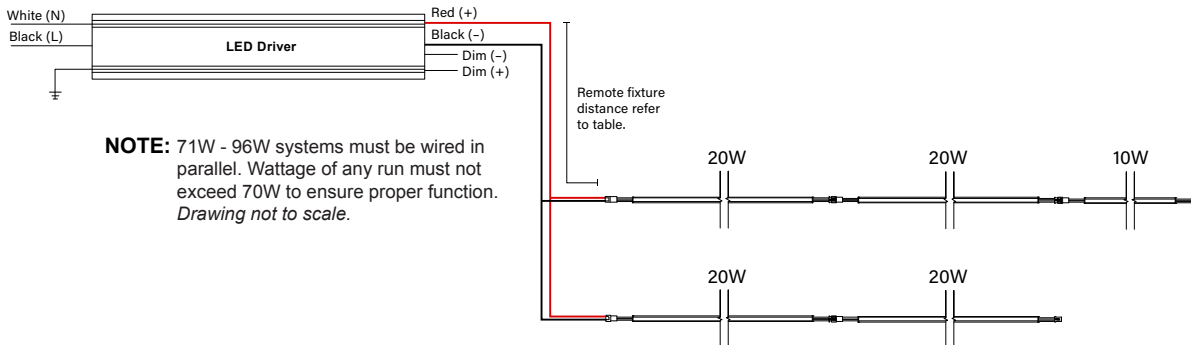


NOTE: 0W - 70W systems wired in series OK.
 Drawing not to scale.

REMOTE FIXTURE DISTANCE	
AWG VALUE	DISTANCE (FT)
20 AWG (USING MICRO-EXT-HARNESS)1	16.4
16 AWG (BY OTHERS)	30
14 AWG (BY OTHERS)	50
12 AWG (BY OTHERS)	70

1. Five (5) harness extension maximum used to achieve distance.

PARALLEL



NOTE: 71W - 96W systems must be wired in parallel. Wattage of any run must not exceed 70W to ensure proper function.
 Drawing not to scale.