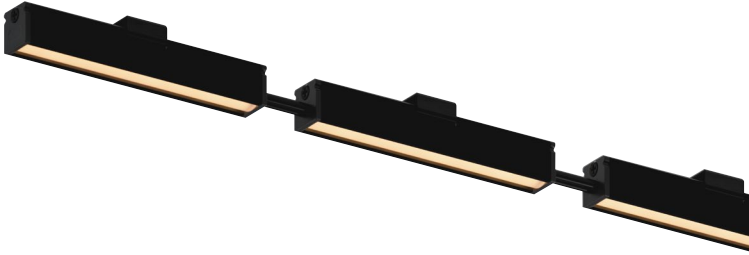


MICRO

Microline 7x7 Flex



FEATURES

- Discreet 1/4" x 1/4" form factor.
- Max 240 lumens per foot delivered.
- Wide range of mounting and finish options available.
- Homogenous light distribution.

HOUSING

- Multiple small form extruded aluminum bodies
- Available in black, white, polished brass, gold, and brushed chrome finishes

MOUNTING

- Surface mount with U-clips or L mounting brackets.
- Capable of being mounted directly to magnetic surfaces.

ELECTRICAL/CONTROLS

- 5W per foot.
- 24V constant voltage remote driver required.
- Maximum 19' run per 96W driver. See wiring guide.

LISTING

- cULus Listed to UL2108

LED INFO

- SMD LED: 90, 95 CRI: SDCM = 3-step MacAdam Ellipse,
- Lumen Maintenance: L₇₀ > 50,000 hrs

PROJECT INFORMATION

JOB NAME		TYPE	
ORDERING CODE			

ORDERING CODE

SERIES	MICRO	microline	
TYPE	MF1	microline flex 7x7 standard	
LED	SW	standard white	
SIZE		1 1 link, 2", 45lm delivered 2 2 link, 4-1/4", 90lm delivered 3 3 link, 6-1/2", 135lm delivered 4 4 link, 8-15/16", 180lm delivered 5 5 link, 11-1/4", 225lm delivered 6 6 link, 13-1/2", 270lm delivered 7 7 link, 15-7/8", 315lm delivered 8 8 link, 18-1/4", 360lm delivered 9 9 link, 20-1/2", 405lm delivered 10 10 link, 22-7/8", 450lm delivered 11 11 link, 25-3/16", 495lm delivered 12 12 link, 27-1/2", 540lm delivered 13 13 link, 29-7/8", 585lm delivered 14 14 link, 32-1/8", 630lm delivered 15 15 link, 34-1/2", 675lm delivered 16 16 link, 36-3/4", 720lm delivered 17 17 link, 39-1/8", 765lm delivered 18 18 link, 41-7/16", 810lm delivered 19 19 link, 43-3/4", 855lm delivered 20 20 link, 46-1/16", 900lm delivered	
CCT	18K 1800K (0.75) 22K 2200K (0.80) 24K 2400K (0.88) 27K 2700K (0.95) 30K 3000K (1.00) 35K 3500K (1.03) 40K 4000K (1.06)		
CRI	90' 90 CRI+ 95 95 CRI+		
LENS OPTION	C clear lens (1.00) D diffused (0.75) UD ultra diffused (0.51)		
FINISH	BK black WH white AL brushed chrome GD gold BS polished brass		
VOLTAGE	24 24V		
ACCESSORIES	See page 2 for details.		

Follow the steps to specify your fixture, example:

MICRO - MF1 - SW - 3 - 30K - 95 - C - BK - 24

NOTES

1. Available in 18K/22K/24K.

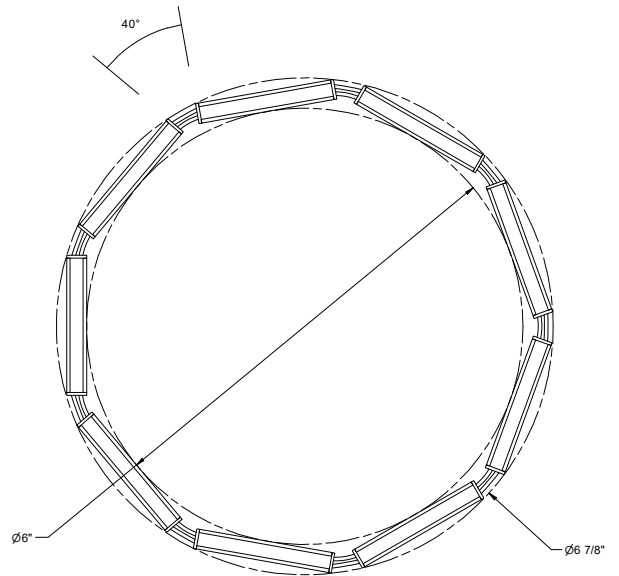
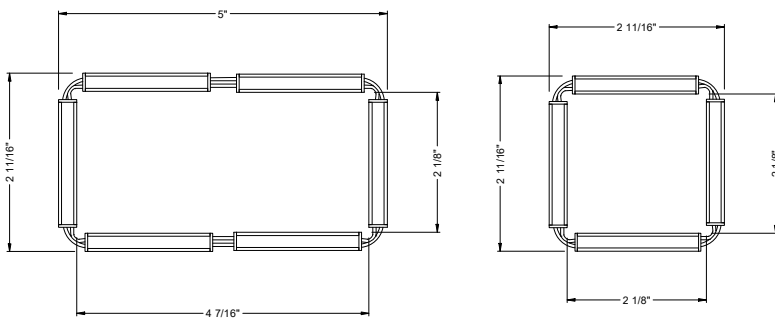
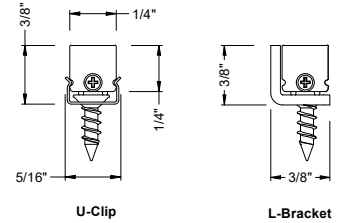
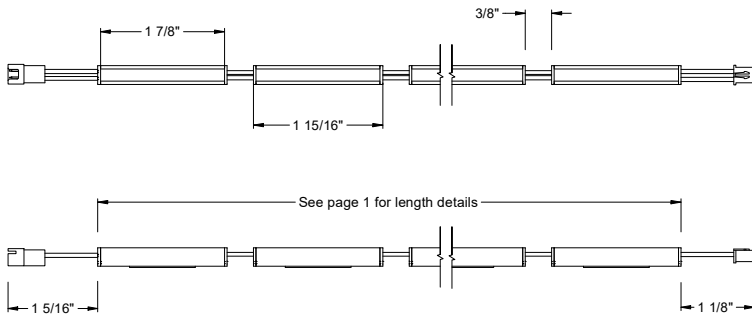
PROJECT INFORMATION

JOB NAME		TYPE	
ORDERING CODE			

POWER TABLE

MICRO	DELIVERED LUMENS	LED POWER
NO. LINKS	LUMENS (3000K)	W (95CRI+)
1 LINK	45	1
2 LINK	90	2
3 LINK	135	3
4 LINK	180	3
5 LINK	225	4
6 LINK	270	5
7 LINK	315	5
8 LINK	360	6
9 LINK	405	7
10 LINK	450	8
11 LINK	495	8
12 LINK	540	9
13 LINK	585	10
14 LINK	630	10
15 LINK	675	11
16 LINK	720	12
17 LINK	765	13
18 LINK	810	13
19 LINK	855	14
20 LINK	900	15

PRODUCT DIMENSIONS



ACCESSORIES

MICRO-EXT-HARNESS¹	40" extension harness, microline to driver
MICRO-DRIVER-HARNESS	12" wire leads with female plug, included with driver
MICRO-LBRKT^{2,3}	mounting L-bracket
MICRO-UCLIP^{2,3}	mounting U-clip
MICRO-SCREW^{2,3}	screw for U-clip and brackets

NOTES

- Do not use more than five (5) harness extensions on a single run.
- Mounting accessories are only for additional or spare circumstances.
All Microline include adequate quantity of mounting components.
- Must order one per link.

PROJECT INFORMATION			
JOB NAME		TYPE	
ORDERING CODE			

REMOTE DRIVER - 24VDC DRIVER

SERIES	P70501-MICRO	LED driver with box and harness
VOLTAGE	24	24V
DIMMING	DIM10	0-10V dimming to 1%
ELECTRICAL OPTIONS	96	96W

ORDERING CODE

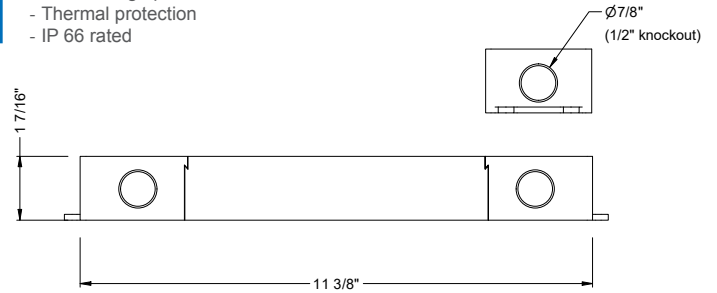
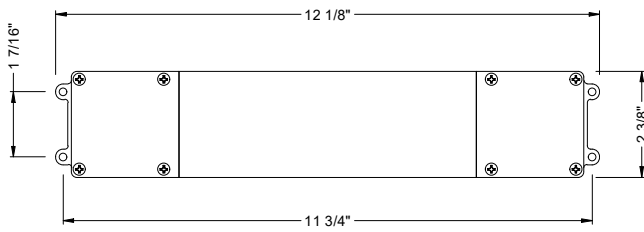
Follow the steps to specify your fixture, example:
P70501 - MICRO - 24 - DIM10 - 96

DESCRIPTION

- 0-10V dimmable smooth flicker free dimming down to 1%
- Integrated junction box with multiple 7/8" knockouts
- UL2043 plenum rated

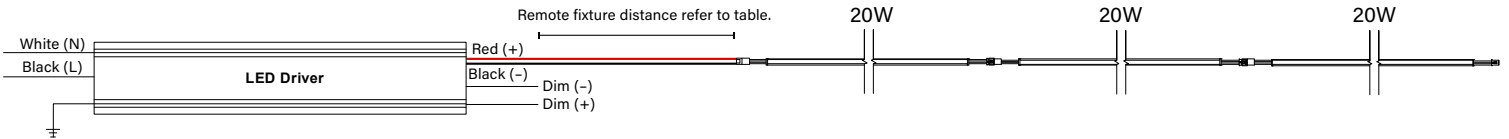
ELECTRICAL/CONTROLS

- 120-277Vac, 50/60Hz input
- 24Vdc, 96W output
- 0-10V compatible
- Operating temperature: -13°F to 104°F
- Class II rated
- Short circuit protection
- Overload protection
- Over-voltage protection
- Thermal protection
- IP 66 rated



WIRING GUIDES

SERIES

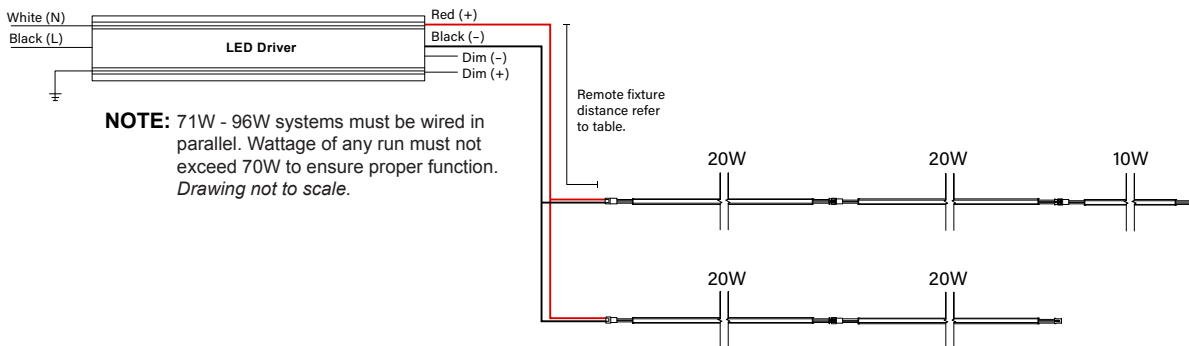


NOTE: 0W - 70W systems wired in series OK.
Drawing not to scale.

REMOTE FIXTURE DISTANCE	
AWG VALUE	DISTANCE (FT)
20 AWG (USING MICRO-EXT-HARNESS) ¹	16.4
16 AWG (BY OTHERS)	30
14 AWG (BY OTHERS)	50
12 AWG (BY OTHERS)	70

1. Five (5) harness extension maximum used to achieve distance.

PARALLEL



NOTE: 71W - 96W systems must be wired in parallel. Wattage of any run must not exceed 70W to ensure proper function.
Drawing not to scale.