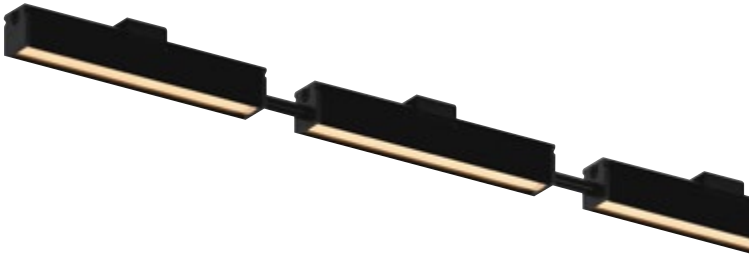


## MICROLINE 7x7

Flexible Cove Standard White



### FEATURES

- Discreet 1/4" x 1/4" form factor.
- Max 240 lumens per foot delivered.
- Wide range of mounting and finish options available.
- Homogenous light distribution.

### HOUSING

- Multiple small form extruded aluminum bodies
- Available in black, white, polished brass, gold, and brushed chrome finishes

### MOUNTING

- Surface mount with U-clips or L mounting brackets.
- Capable of being mounted directly to magnetic surfaces.

### ELECTRICAL/CONTROLS

- 5W per foot.
- 24V constant voltage remote driver required.
- Maximum 19' run per 96W driver. See wiring guide.

### LISTING

- cULus Listed to UL2108

### LED INFO

- SMD LED: 90, 95 CRI: SDCM = 3-step MacAdam Ellipse,
- Lumen Maintenance: L<sub>70</sub> > 50,000 hrs

PROJECT INFORMATION		
JOB NAME		TYPE
ORDERING CODE		

### ORDERING CODE

<b>SERIES</b>	MICRO	microline	
<b>TYPE</b>	MF1	microline flex 7x7 standard	
<b>LED</b>	SW	standard white	
<b>SIZE</b>	1	1 link, 2", 45lm delivered	
	2	2 link, 4-1/4", 90lm delivered	
	3	3 link, 6-1/2", 135lm delivered	
	4	4 link, 8-15/16", 180lm delivered	
	5	5 link, 11-1/4", 225lm delivered	
	6	6 link, 13-1/2", 270lm delivered	
	7	7 link, 15-7/8", 315lm delivered	
	8	8 link, 18-1/4", 360lm delivered	
	9	9 link, 20-1/2", 405lm delivered	
	10	10 link, 22-7/8", 450lm delivered	
	11	11 link, 25-3/16", 495lm delivered	
	12	12 link, 27-1/2", 540lm delivered	
	13	13 link, 29-7/8", 585lm delivered	
	14	14 link, 32-1/8", 630lm delivered	
	15	15 link, 34-1/2", 675lm delivered	
	16	16 link, 36-3/4", 720lm delivered	
	17	17 link, 39-1/8", 765lm delivered	
	18	18 link, 41-7/16", 810lm delivered	
	19	19 link, 43-3/4", 855lm delivered	
	20	20 link, 46-1/16", 900lm delivered	
<b>CCT</b>	18K	1800K	(0.75)
	22K	2200K	(0.80)
	24K	2400K	(0.88)
	27K	2700K	(0.95)
	30K	3000K	(1.00)
	35K	3500K	(1.03)
	40K	4000K	(1.06)
<b>CRI</b>	90'	90 CRI+	
	95	95 CRI+	
<b>LENS OPTION</b>	C	clear lens	(1.00)
	D	diffused	(0.75)
	UD	ultra diffused	(0.51)
<b>FINISH</b>	BK	black	
	WH	white	
	AL	brushed chrome	
	GD	gold	
	BS	polished brass	
<b>VOLTAGE</b>	24	24V	
<b>ACCESSORIES</b>	See page 2 for details.		

Follow the steps to specify your fixture, example:

**MICRO - MF1 - SW - 3 - 30K - 95 - C - BK - 24**

### NOTES

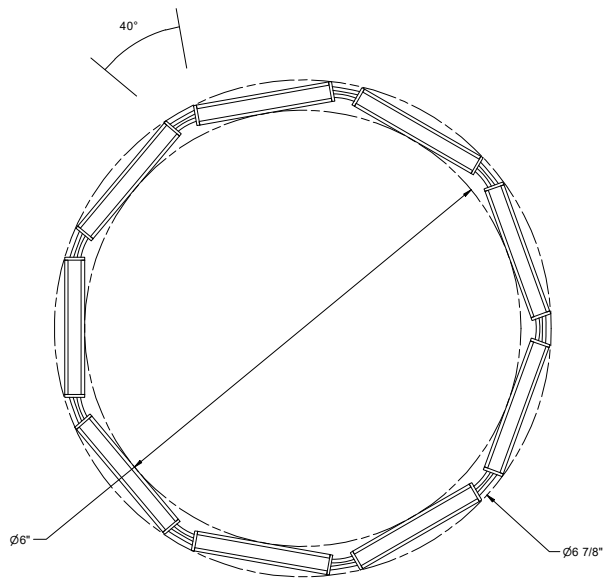
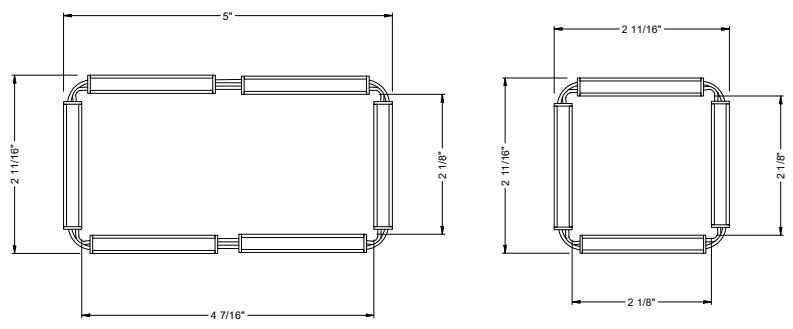
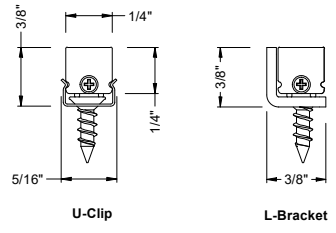
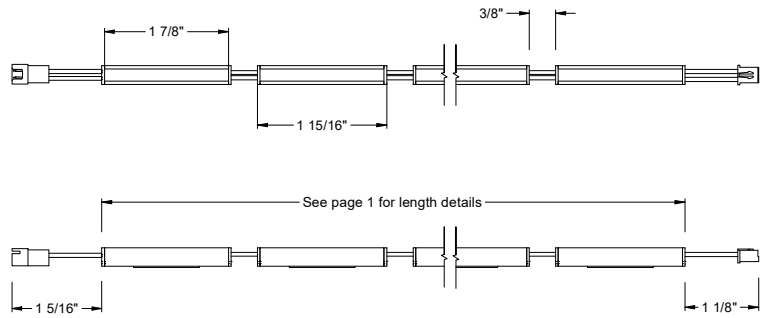
1. Available in 18K/22K/24K.

PROJECT INFORMATION		
JOB NAME		TYPE
ORDERING CODE		

## POWER TABLE

MICRO	DELIVERED LUMENS	LED POWER
NO. LINKS	LUMENS (3000K)	W (95CRI+)
1 LINK	45	1
2 LINK	90	2
3 LINK	135	3
4 LINK	180	3
5 LINK	225	4
6 LINK	270	5
7 LINK	315	5
8 LINK	360	6
9 LINK	405	7
10 LINK	450	8
11 LINK	495	8
12 LINK	540	9
13 LINK	585	10
14 LINK	630	10
15 LINK	675	11
16 LINK	720	12
17 LINK	765	13
18 LINK	810	13
19 LINK	855	14
20 LINK	900	15

## PRODUCT DIMENSIONS



## ACCESSORIES

- MICRO-EXT-HARNESS<sup>1</sup>** 40" extension harness, microline to driver
- MICRO-DRIVER-HARNESS** 12" wire leads with female plug, included with driver
- MICRO-LBRKT<sup>2,3</sup>** mounting L-bracket
- MICRO-UCLIP<sup>2,3</sup>** mounting U-clip
- MICRO-SCREW<sup>2,3</sup>** screw for U-clip and brackets

**NOTES**  
 1. Do not use more than five (5) harness extensions on a single run.  
 2. Mounting accessories are only for additional or spare circumstances.  
 All Microline include adequate quantity of mounting components.  
 3. Must order one per link.

PROJECT INFORMATION		
JOB NAME	TYPE	
ORDERING CODE		

## REMOTE DRIVER - 24VDC DRIVER

SERIES	P70501-MICRO	LED driver with box and harness
VOLTAGE	24	24V
DIMMING	DIM10	0-10V dimming to 1%
ELECTRICAL OPTIONS	96	96W

ORDERING CODE \_\_\_\_\_

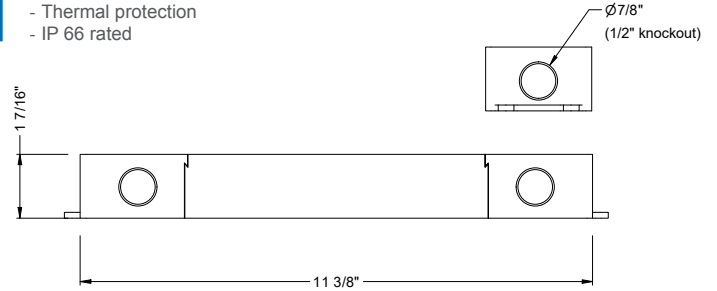
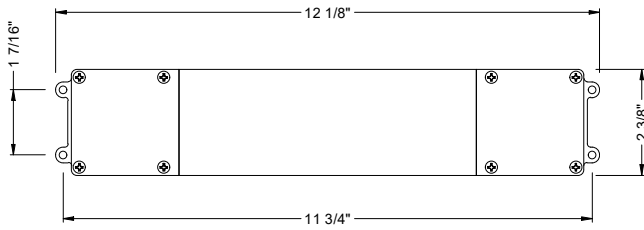
Follow the steps to specify your fixture, example:  
P70501 - MICRO - 24 - DIM10 - 96

### DESCRIPTION

- 0-10V dimmable smooth flicker free dimming down to 1%
- Integrated junction box with multiple 7/8" knockouts
- UL2043 plenum rated

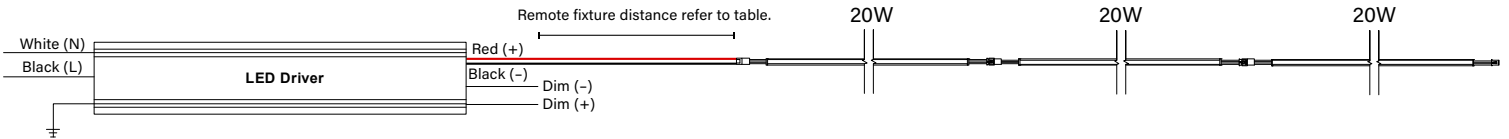
### ELECTRICAL/CONTROLS

- 120-277Vac, 50/60Hz input
- 24Vdc, 96W output
- 0-10V compatible
- Operating temperature: -13°F to 104°F
- Class II rated
- Short circuit protection
- Overload protection
- Over-voltage protection
- Thermal protection
- IP 66 rated



## WIRING GUIDES

### SERIES

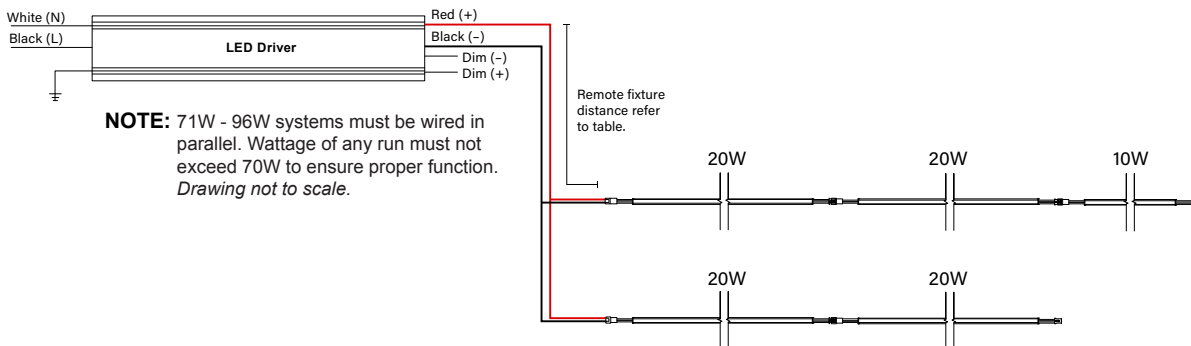


**NOTE:** 0W - 70W systems wired in series OK.  
Drawing not to scale.

REMOTE FIXTURE DISTANCE	
AWG VALUE	DISTANCE (FT)
20 AWG (USING MICRO-EXT-HARNESS) <sup>1</sup>	16.4
16 AWG (BY OTHERS)	30
14 AWG (BY OTHERS)	50
12 AWG (BY OTHERS)	70

1. Five (5) harness extension maximum used to achieve distance.

### PARALLEL



**NOTE:** 71W - 96W systems must be wired in parallel. Wattage of any run must not exceed 70W to ensure proper function.  
Drawing not to scale.