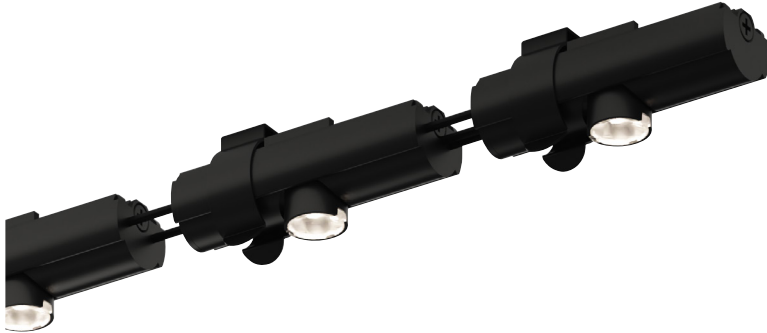


MICROLINE SPOT FLEX

Flexible Cove Spot Standard White



FEATURES

- Discreet form factor.
- Max 480 lumens per foot delivered.
- Wide range of mounting options available.

HOUSING

- Multiple small form extruded aluminum bodies
- Available in black and white finishes

MOUNTING

- Surface mount with U-clips or L mounting brackets.
- Capable of being mounted directly to magnetic surfaces.

ELECTRICAL/CONTROLS

- 6W per foot.
- 2 to 32 LED lengths
- Remote class 2 power supply required
- Maximum 32 LED run per 50W driver
- Series shunt bypass ensures remaining LEDs operate if single LED failure
- 700mA constant current maximum

LISTING

- cULus Listed to UL2108

LED INFO

- SMD LED: 97 CRI: SDCM = 3-step MacAdam Ellipse, Lumen Maintenance: L₇₀ > 50,000 hrs

PROJECT INFORMATION		
JOB NAME		TYPE
ORDERING CODE		

ORDERING CODE

SERIES	MICRO	microline
TYPE	MSF	microline spot flex
LED	SW	standard white
SIZE	2	2 LED, 4", 160 lm
	4	4 LED, 8-1/4", 320 lm
	6	6 LED, 12-9/16", 480 lm
	8	8 LED, 16-15/16", 640 lm
	10	10 LED, 21-1/4", 800 lm
	12	12 LED, 25-9/16", 960 lm
	14	14 LED, 29-15/16", 1120 lm
	16	16 LED, 34-1/4", 1280 lm
	18	18 LED, 38-9/16", 1440 lm
	20	20 LED, 42-15/16", 1600 lm
	22	22 LED, 47-1/4", 1760 lm
	24	24 LED, 51-9/16", 1920 lm
	26	26 LED, 55-15/16", 2080 lm
	28	28 LED, 60-1/4", 2240 lm
	30	30 LED, 64-9/16", 2400 lm
	32	32 LED, 68-15/16", 2560 lm
	Consult factory for additional lengths	
CCT	27K	2700K (0.95)
	30K	3000K (1.00)
	35K	3500K (1.03)
	40K	4000K (1.06)
CRI	97	97 CRI
LENS OPTION	21D	21° lens
	29D	29° lens
	E	elliptical beam spread
FINISH	BK	black
	WH	white
MOUNTING OPTIONS	S	surface mount
DIMMING	See last page for details.	
ACCESSORIES	See page 3 for details.	

Follow the steps to specify your fixture, example:
MICRO - MSF - SW - 32 - 27K - 97 - 21D - BK - S

PROJECT INFORMATION		
JOB NAME		TYPE
ORDERING CODE		

POWER TABLE

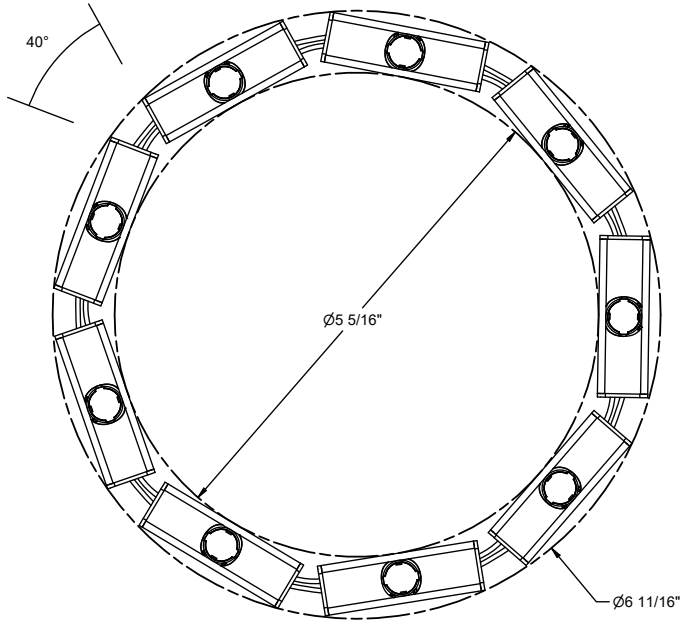
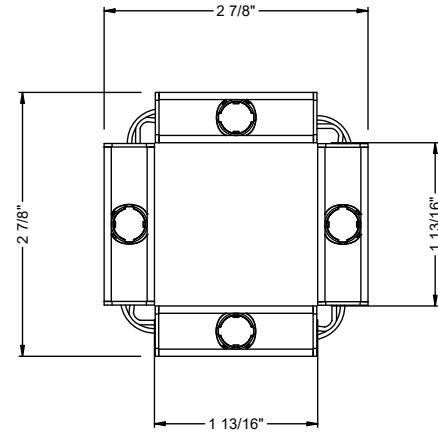
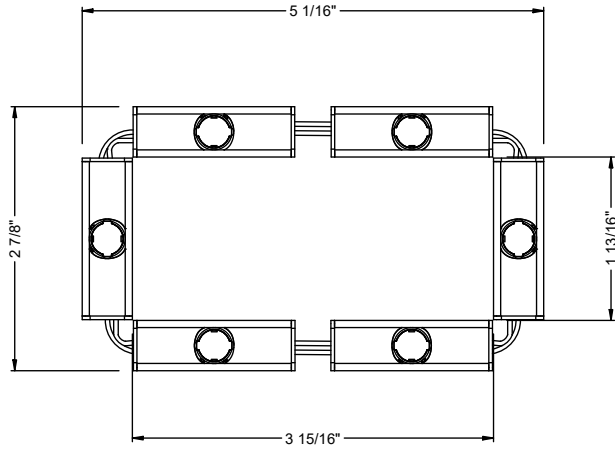
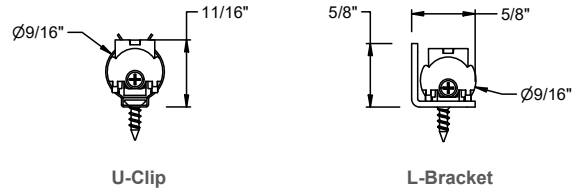
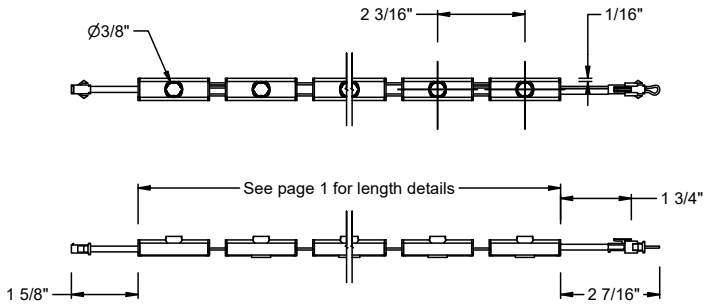
MICRO	DELIVERED LUMENS	DELIVERED LUMENS	VOLTAGE	LED POWER
NO. LINKS	CURRENT MA	LUMENS (3000K)	VDC	W (97CRI)
2 LED	700	160	4	3.3
2 LED	500	115	3	2
2 LED	350	80	2	1.2
4 LED	700	320	7	5.4
4 LED	500	230	5	3
4 LED	350	160	4	1.9
6 LED	700	480	10	7.5
6 LED	500	345	8	4.5
6 LED	350	240	5	2.25
8 LED	700	640	13	9.6
8 LED	500	460	10	5.5
8 LED	350	320	7	2.95
10 LED	700	800	16	11.7
10 LED	500	575	12	6.5
10 LED	350	400	8	3.3
12 LED	700	960	20	14.5
12 LED	500	690	15	8
12 LED	350	480	10	4
14 LED	700	1120	23	16.6
14 LED	500	805	17	9
14 LED	350	560	12	4.7
16 LED	700	1280	26	18.7
16 LED	500	920	17	9
16 LED	350	640	12	4.7
18 LED	700	1440	29	20.8
18 LED	500	1035	21	11
18 LED	350	720	15	5.75
20 LED	700	1600	32	22.9
20 LED	500	1150	23	12
20 LED	350	800	16	6.1
22 LED	700	1760	36	25.7
22 LED	500	1265	26	13.5
22 LED	350	880	18	6.8
24 LED	700	1920	39	27.8
24 LED	500	1380	28	14.5
24 LED	350	960	20	7.5
26 LED	700	2080	42	29.9
26 LED	500	1495	30	15.5
26 LED	350	1040	21	7.85
28 LED	700	2240	45	32
28 LED	500	1610	33	17
28 LED	350	1120	23	8.55
30 LED	700	2400	48	34.1
30 LED	500	1725	35	18
30 LED	350	1200	24	8.9
32 LED	700	2560	52	36.9
32 LED	500	1840	38	19.5
32 LED	350	1280	26	9.6

Power Factor ≥ 0.9

PROJECT INFORMATION

JOB NAME		TYPE	
ORDERING CODE			

PRODUCT DIMENSIONS



ACCESSORIES

CC-SCREW ^{1,2}	screw for U-clip and brackets
CC-LBRKT-BK ^{1,2}	mounting L-bracket, black
CC-UCLIP-BK ^{1,2}	mounting U-clip, black
CC-LBRKT-WH ^{1,2}	mounting L-bracket, white
CC-UCLIP-WH ^{1,2}	mounting U-clip, white
CC-EXT-HARNESS ³	40° extension harness, microline to driver
CC-EXT-HARNESS-78	78" extension harness, microline to driver
CC-EXT-HARNESS-157	157" extension harness, microline to driver
CC-DRIVER-HARNESS	12" wire leads with female plug, included with driver

NOTES

1. Must order one per link.
 2. Mounting accessories are only for additional or spare circumstances.
 3. All Microline include adequate quantity of mounting components.
- Do not use more than five (5) harness extensions on a single run.

PROJECT INFORMATION		
JOB NAME		TYPE
ORDERING CODE		

REMOTE DRIVER - 0-10V ORDERING CODE

SERIES	P70414-CC	LED driver with box and harness
DIMMING	ECO SOLO	1% 0.1%
ELECTRICAL OPTIONS	350 500 700	350mA, 240 lm / ft 500mA, 350 lm / ft 700mA, 480 lm / ft

ORDERING CODE _____

Follow the steps to specify your fixture, example:
P70414-CC - ECO - 700

NOTES

- For 2-channel output, fixtures must be under 50V/25W each. Order additional driver harness.

MAXIMUM WIRING DISTANCE FROM DRIVER TO FIRST FIXTURE AT FULL LOAD

AWG VALUE	DISTANCE (FT)
20	46
18	72
17	92
16	118

DESCRIPTION

- 0-10V dimmable protocol LED drive with smooth flicker free dimming
- Remote mounting distance up to 46' (20AWG), 72' (18AWG) to LED load
- Three programmable currents for various lumen offerings
- For custom drive currents consult factory

ELECTRICAL/CONTROLS

- 120-277Vac, 50/60Hz input
- 50W max output
- 2-55Vdc output per channel
- ECO 1% dimming - 1 channel output
- Solo 0.1% dimming - 2 channel output
- 0-10V compatible
- Linear dimming curve
- Operating temperature: -4°F to 122°F
- Class II rated
- Suitable for use in damp and dry locations
- Short circuit protection
- Overload protection
- Over-voltage protection
- Thermal protection
- Box: Length = 9", Width = 4", Height = 1-3/8"
- Driver: Length = 5-1/8", Width = 3", Height = 1-1/8"

REMOTE DRIVER - DALI ORDERING CODE

SERIES	P70469-CC	LED driver with box and harness
DIMMING	DALIZ	eldoLED flicker free DALI-2 dimming to 0%
ELECTRICAL OPTIONS	350 500 700	350mA, 240 lm / ft 500mA, 350 lm / ft 700mA, 480 lm / ft

ORDERING CODE _____

Follow the steps to specify your fixture, example:
P70414-CC - DALIZ - 700

MAXIMUM WIRING DISTANCE FROM DRIVER TO FIRST FIXTURE AT FULL LOAD

AWG VALUE	DISTANCE (FT)
20	46
18	72
17	92
16	118

DESCRIPTION

- DALI - DT6 dimmable protocol LED drive with smooth flicker free dimming
- Remote mounting distance up to 46' (20AWG), 72' (18AWG) to LED load
- Three programmable currents for various lumen offerings
- For custom drive currents consult factory

ELECTRICAL/CONTROLS

- 120-277Vac, 50/60Hz input
- 50W max output
- 2-55Vdc output per channel
- DALI compatible
- Linear dimming curve
- Operating temperature: -4°F to 122°F
- Class II rated
- Suitable for use in damp and dry locations
- Short circuit protection
- Overload protection
- Over-voltage protection
- Thermal protection
- Box: Length = 9", Width = 4", Height = 1-3/8"
- Driver: Length = 5-1/8", Width = 3", Height = 1-1/8"

REMOTE DRIVER - DMX ORDERING CODE

SERIES	P70772-CC	LED driver with box and harness
DIMMING	DMXZ	DMX dim to zero
ELECTRICAL OPTIONS	350 500 700	350mA, 240 lm / ft 500mA, 350 lm / ft 700mA, 480 lm / ft

ORDERING CODE _____

Follow the steps to specify your fixture, example:
P70772-CC - DMXZ - 700

MAXIMUM WIRING DISTANCE FROM DRIVER TO FIRST FIXTURE AT FULL LOAD

AWG VALUE	DISTANCE (FT)
20	46
18	72
17	92
16	118

DESCRIPTION

- DMX dimmable protocol LED drive with smooth flicker free dimming
- Remote mounting distance up to 46' (20AWG), 72' (18AWG) to LED load
- Three programmable currents for various lumen offerings
- For custom drive currents consult factory

ELECTRICAL/CONTROLS

- 120-277Vac, 50/60Hz input
- 50W max output
- 8-55Vdc output per channel
- Isolated dimming circuit
- DMX compatible
- Operating temperature: -13°F to 122°F
- Class II rated
- Suitable for use in damp and dry locations
- Short circuit protection
- Overload protection
- Over-voltage protection
- Thermal protection
- Box: Length = 9", Width = 4", Height = 1-3/8"
- Driver: Length = 5-1/8", Width = 3", Height = 1-1/8"

PROJECT INFORMATION		
JOB NAME		TYPE
ORDERING CODE		

REMOTE DRIVER - CASAMBI ORDERING CODE

SERIES	P70414-CC	LED driver with box and harness
DIMMING	CASZ	Casambi dim to zero
ELECTRICAL OPTIONS	350 500 700	350mA, 240 lm / ft 500mA, 350 lm / ft 700mA, 480 lm / ft

ORDERING CODE _____

Follow the steps to specify your fixture, example:
P70414-CC - CASZ - 700

MAXIMUM WIRING DISTANCE FROM DRIVER TO FIRST FIXTURE AT FULL LOAD

AWG VALUE	DISTANCE (FT)
20	46
18	72
17	92
16	118

DESCRIPTION

- Casambi dimmable protocol LED drive with smooth flicker free dimming
- Remote mounting distance up to 46' (20AWG), 72' (18AWG) to LED load
- Three programmable currents for various lumen offerings
- For custom drive currents consult factory

ELECTRICAL/CONTROLS

- 120-277Vac, 50/60Hz input
- 50W max output
- 2-55Vdc output per channel
- Isolated dimming circuit
- Operating temperature: -4°F to 122°F
- Class II rated
- Suitable for use in damp and dry locations
- Short circuit protection
- Overload protection
- Over-voltage protection
- Thermal protection
- Box: Length = 9", Width = 4", Height = 1-3/8"
- Driver: Length = 5-1/8", Width = 3", Height = 1-1/8"

REMOTE DRIVER - NLIGHT ORDERING CODE

SERIES	P70414-CC	LED driver with box and harness
DIMMING	NLT	nLight control interface: standard Cat-5/RJ45 connection (female), dim to off
ELECTRICAL OPTIONS	350 500 700	350mA, 240 lm / ft 500mA, 350 lm / ft 700mA, 480 lm / ft

ORDERING CODE _____

Follow the steps to specify your fixture, example:
P70414-CC - NLT - 700

MAXIMUM WIRING DISTANCE FROM DRIVER TO FIRST FIXTURE AT FULL LOAD

AWG VALUE	DISTANCE (FT)
20	46
18	72
17	92
16	118

DESCRIPTION

- nLight dimmable protocol LED drive with smooth flicker free dimming
- Remote mounting distance up to 46' (20AWG), 72' (18AWG) to LED load
- Three programmable currents for various lumen offerings
- For custom drive currents consult factory

ELECTRICAL/CONTROLS

- 120-277Vac, 50/60Hz input
- 50W max output
- 2-55Vdc output per channel
- Operating temperature: -4°F to 122°F
- Class II rated
- Suitable for use in damp and dry locations
- Short circuit protection
- Over-voltage protection
- Thermal protection
- Box: Length = 9", Width = 4", Height = 1-3/8"
- Driver: Length = 5-1/8", Width = 3", Height = 1-1/8"

REMOTE DRIVER

