

PROJECT INFORMATION		
JOB NAME		TYPE
ORDERING CODE		

## OUTDOOR ECLIPSE

### Up and Down IP65 Wall



ELIPTICALELIPTICAL 115° X 75° BEAM (Note: Specifications are subject to change without notice)		
9mm COB PERFORMANCE DATA		
LED LIGHT ENGINE	NOMINAL DELIVERED LUMENS	SYSTEM WATTAGE
10LM	1100LM @30K/90CRI	17W
Notes	2 x 8.5W, 550lm up, 550lm down. Delivered lumens based on Elliptical optic(see page 2)	

#### FEATURES

- Pre finish anodizing process for corrosive-inhibiting protection
- Anthracite finish
- ADA Compliant
- IP65 Rated

#### DIMMING AND CONTROLS

- 0-10V dimming to 10%

#### CONSTRUCTION

- Extruded aluminum housing
- Anodized and powder coat finish
- Mount to 3-1/2" to 4" octagonal or 4" square recessed junction box

#### LED

- LED: Zigen ZG6BGE34W0S
- SDCM: 3-step MacAdam Ellipse
- Lumen Maintenance:  $L_{70} > 50,000$  hrs

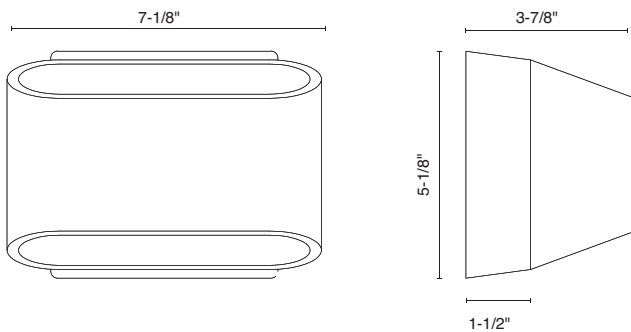
#### LISTING

- ETLus Listed to UL1598 (suitable for wet locations)
- cETL Listed to CSA C22.2 #250.0
- Warranty: 5 year limited warranty

#### ELECTRICAL

- 120V-277V
- Ambient operating temperature -20°C/-4°F to +40°C/+104°F

#### WALL

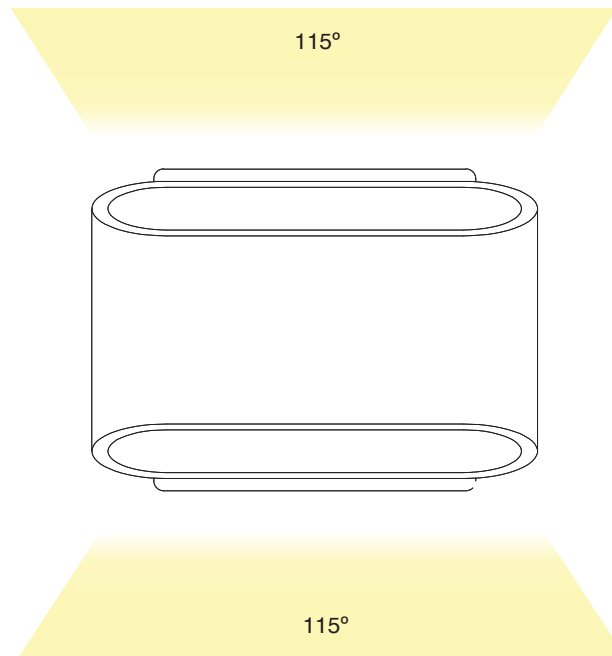


PROJECT INFORMATION		
JOB NAME		TYPE
ORDERING CODE		

BEAM ORDERING CODE		
SERIES	EXT	exterior
TYPE	EUD	eclipse up and down, 17W, 550lm up, 550lm down
LED	SW	standard white
DELIVERED LUMENS	10LM	1100 lm , 550 lm Up / 550 lm Down
		Standard Configuration: 3000K
CCT	30K	3000K
CRI	90	90 CRI
FINISH	BK	anthracite

BEAM ORDERING CODE		
MOUNTING OPTIONS	W	wall mount
VOLTAGE	UNV-10V	120V-277V integrated driver, flicker free 0-10V dimming to 10%

YOUR COMPLETED ORDERING CODE
Follow the steps to specify your fixture, example:
<b>EXT - EUD - SW - 10LM - 30K - 90 - BK - W - UNV - 10V</b>



PROJECT INFORMATION		
JOB NAME		TYPE
ORDERING CODE		

## PHOTOMETRIC DATA

10LM

