

JOB NAME _____

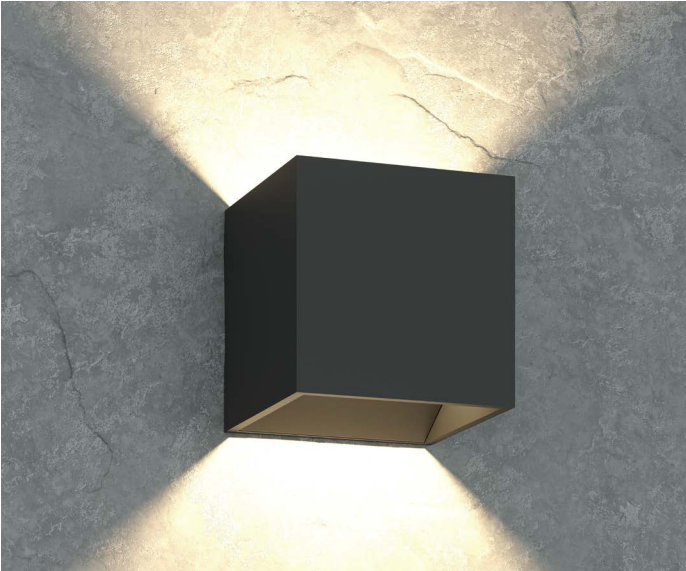
CONTACT _____

ORDERING CODE _____

ORDERING CODE		
SERIES	EXT	exterior
TYPE	QB	QB up and down, 9.6W, 150 lm up, 150 lm down
CCT	30K	3000K
CRI	90	90 CRI
VOLTAGE	UNV	120V-277V
FINISH	BK SV	anthracite silver

LM-79

OUTDOOR QB Up and Down IP65 Wall



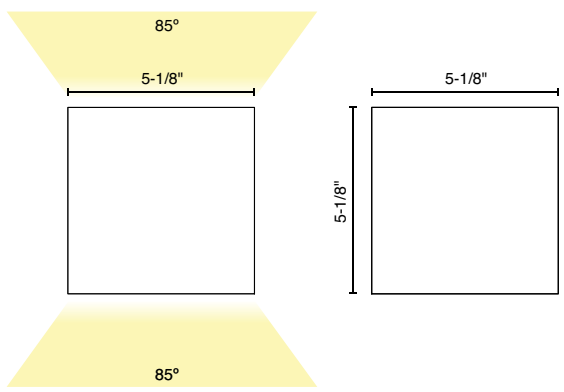
BK



SV

ORDERING CODE _____

Follow the steps to specify your fixture, example:
EXT - QB - 30K - 90 - UNV - BK



DESCRIPTION

The Outdoor QB is an exterior sconce made of extruded aluminum. Its contemporary cube design allows for a modern look with a warm glow illuminating the wall both up and down from an indirect light source. Outdoor QB includes an onboard driver. It is easily surface mounted to cover a standard junction box. It is offered in anthracite or silver finish.

HOUSING

- Extruded aluminum housing in anthracite or silver.

MOUNTING

- Mount to 3-1/2" to 4" octagonal recessed junction box.

ELECTRICAL/CONTROLS

- Integrated LED Module
- 85° distribution
- Non-dimmable

LISTING

- ETLus Listed to UL1598 (suitable for wet locations)
- cETL Listed to CSA C22.2 #250.0
- BUG Rating: B0 - U3 - G0

LED INFO

- LED: Zigen ZGIBGX30KHO
- SDCM: 3-step MacAdam Ellipse
- Lumen Maintenance: L₇₀ > 50,000 hrs
- Warranty: 5 year limited warranty