

RAINBOW

Canopy, Track SW G9



726 smoky



727 clear



728 turquoise



729 red

FEATURES

- Bruck's European and American Artisan, mouth-blown glass is known throughout the world for its quality and beauty. Several light source options, mounting options, colors and finishes allow for a unique design. Most of Bruck's mini-pendant glass allows for easy screw-on/screw-off for a simple installation or design change. Pendant L₇₀ is 145,000 hours of operation.

HOUSING

- The hardware is offered in matte chrome or chrome finish and seconds as the pendant thermal heatsink.

MOUNTING

- The pendant can be mounted from Bruck's field adjustable canopy. The standard overall cable length of 59" can be field-cut or specified when ordering. Overall cable length is measured and begins from top of canopy. See the decorative Junction Box Cover for open ceiling applications.
- Optional track mounting: Global Trac Systems, GEO track, ECO track / HALO® Power track, and Zonyx track. Overall cable length begins at the shoulder of the ECO/GEO adapter and the track center of the Zonyx adapter. Cable length measurement ends at the top of glass or to the mounting arms.
- Kevlar coated cable for easy cleaning, short circuit protection, no discoloration and fraying over time.

LISTING

- Listed to UL1598 and UL1574 (Suitable for dry locations only)
- Listed to CSA C22.2 #250.0 and #9.0

PROJECT INFORMATION

| | | | |
|---------------|--|------|--|
| JOB NAME | | TYPE | |
| ORDERING CODE | | | |



OPTICAL OPTIONS

| | | |
|------------------|---|---|
| LIGHT SOURCE | MLED ² MSG9 | standard white LED, 450 lm G9 socket |
| CCT | 30K ¹ 35K ¹ | 3000K 3500K |
| CRI | 90 ¹ | 90 CRI |
| SHADE COLOR | 726 727 728 729 | smoky clear turquoise red |
| FINISH | BK CH MC | black with clear braided cable chrome with clear braided cable matte chrome with clear braided cable |
| MOUNTING OPTIONS | P ³ ECOBK ECOWH ECOMC GEOBK GEOWH GEOHC ZONMC | canopy pendant ECO/HALO black ECO/HALO white ECO/HALO matte chrome GEO black GEO white GEO matte chrome Zonyx matte chrome |

ORDERING CODE

Follow the steps to specify your fixture, example:
MLED - 30K - 90 - 726 - MC - P

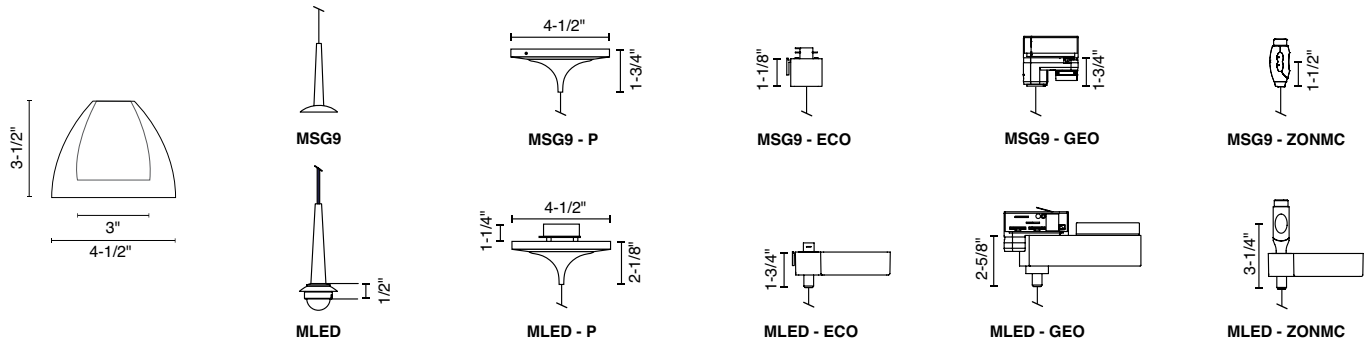
NOTES

1. CCT and CRI options for MLED only.
2. For LED info see page 2.
3. Canopy matches the finish chosen.

*Cable info: Clear Cable. 0.120" outer diameter. Rated to 300V & 105°C.

| | | | |
|---------------|--|------|--|
| JOB NAME | | TYPE | |
| ORDERING CODE | | | |

MOUNTING OPTIONS



LIGHT SOURCE

| Light Source | MLED - Static White LED | MSG9 - G9 SOCKET |
|------------------------|--|--|
| Performance | | |
| LED | Cree XHP50 | lamp dependent |
| Lumens | 450lm | |
| CCT | 3000K or 3500K | |
| SDCM | 2-Step MacAdam Ellipse | |
| CRI | >90 | |
| Lumen Maintenance | L ₇₀ > 145,000 hours | |
| Technical Specs | | |
| Socket Listing | <ul style="list-style-type: none"> Integrated LED module ETLus Listed to UL1598, and UL1574 (Suitable for dry locations only) cETL Listed to CSA C22.2 #250.0 and #9.0 | <ul style="list-style-type: none"> G9 socket ETLus Listed to UL1598, and UL1574 (Suitable for dry locations only) cETL Listed to CSA C22.2 #250.0 and #9.0 |
| Mounting | | |
| Canopy | <ul style="list-style-type: none"> 120-277Vac, 50/60Hz input 7.0W, 7.5VA Tri-mode dimming (Triac, ELV and 0-10V) Mount to 3-1/2" to 4" round J-Box Short circuit protection Thermal protection | <ul style="list-style-type: none"> 120-277Vac, 50/60Hz input 40W, 40VA (max 40W lamp) Dimmable (Incandescent) Mount to 3-1/2" to 4" round J-Box |
| Line Voltage Track | <ul style="list-style-type: none"> 120Vac, 50/60Hz input 7.0W, 7.5VA Triac and ELV phase dimming Connects to line voltage adapter (ECO, GEO, Zonyx) | <ul style="list-style-type: none"> 120Vac, 50/60Hz input 40W, 40VA (max 40W lamp) Dimmable (Incandescent) Connects to line voltage adapter (ECO, GEO, Zonyx) |
| Warranty | | |
| | • 5 year limited fixture warranty | • 1 year limited fixture warranty |