

LINE VOLTAGE LINEAR DIMMABLE LED STRIPS

Product code	Description	Rating
LLE200BD01	8.7", 7 LEDs	2.8W
LLE300BD01	12", 10 LEDs	4W
LLE450BD01	18", 15 LEDs	6W
LLE600BD01	24", 20 LEDs	8W
LLE800BD01	32.7", 27 LEDs	10.8W
LLE300BD02	12", 20 LEDs	8W
LLE450BD02	18", 30 LEDs	12W
LLE600BD02	24", 40 LEDs	16W

Available in 3 Finishes: White/Bronze/Silver
and 3 Color temperatures: 3000K/3500K/4000K.

For parts and accessories, please refer to product catalog.

INSTALLATION SHOULD BE CARRIED OUT BY YOUR LOCAL ELECTRICIAN.

ALWAYS TURN OFF MAIN POWER BEFORE INSTALLATION

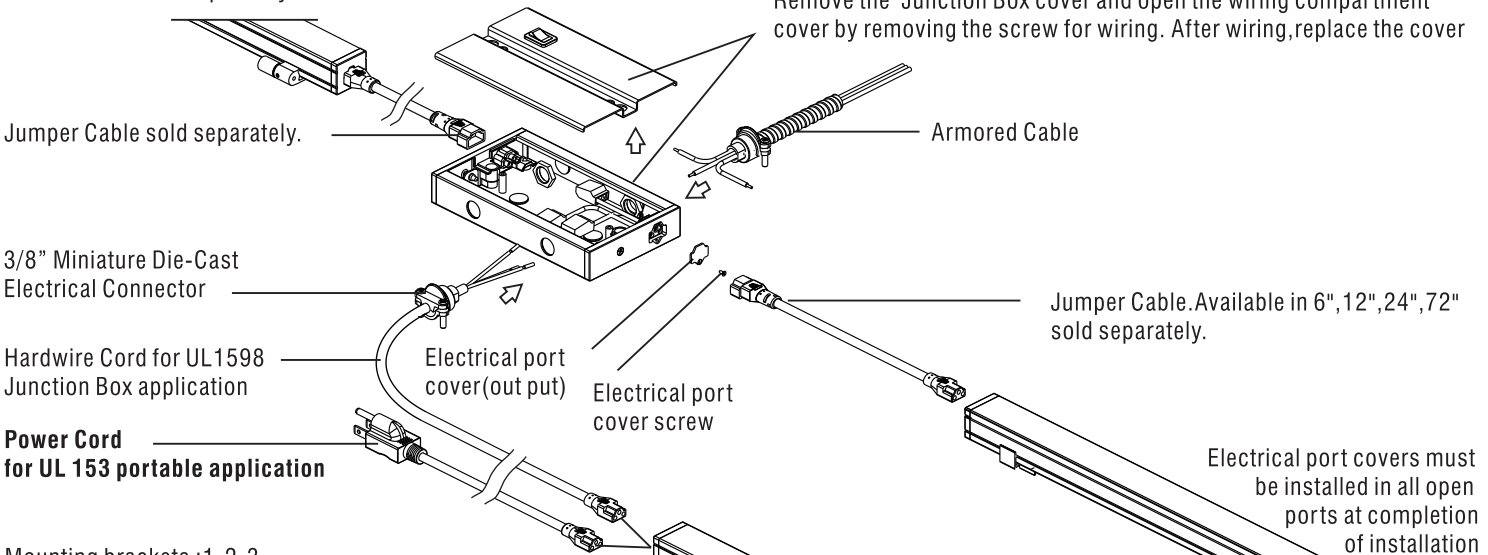
Caution:

1. Always turn off power prior to installation or replacement
2. Risk of electric shock. Do not use any connection pin to touch any electrical conductors.
3. Do not press directly on the top cover, as it may cause damage.
4. For indoor use only. Do not use the product in a potentially combustive environment or outdoors.
5. Only connect to adjacent units, 400W Maximum



Junction Box application:

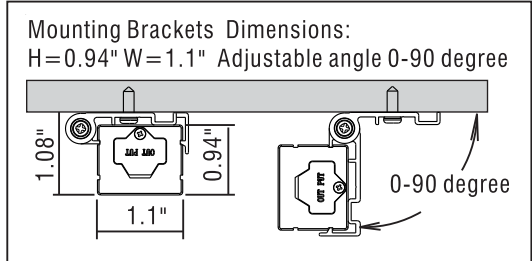
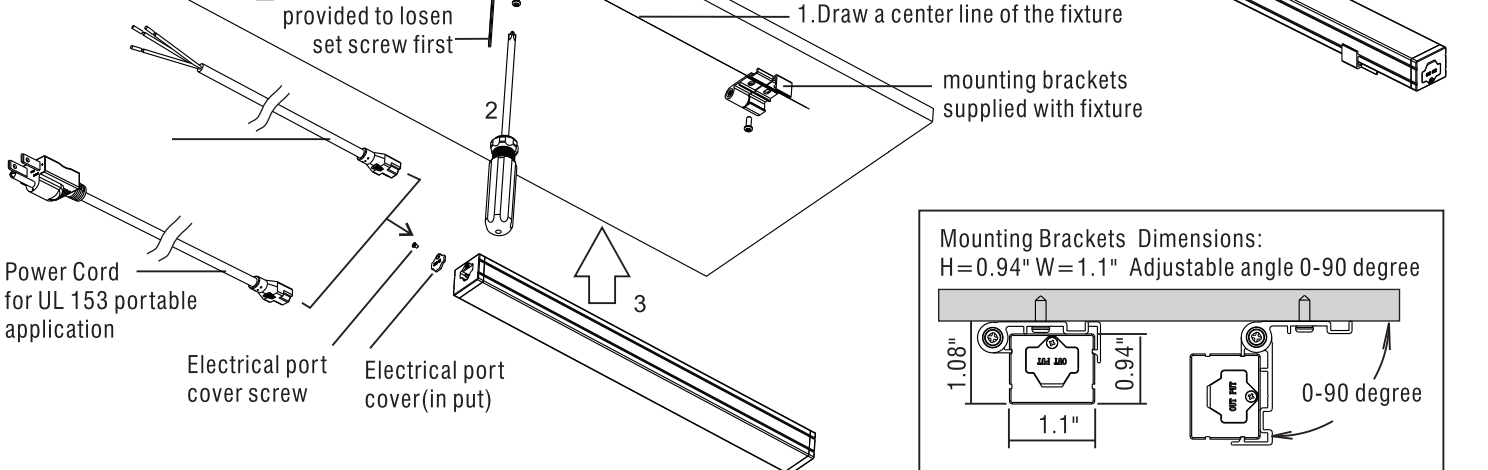
Junction Box sold separately



Mounting brackets : 1-2-3
Secure supplied mounting brackets to surface.
Note: Adjustable mounting brackets only pivot in one direction. Decide which direction is required if planning on adjusting and mount accordingly.
When pivot not tight enough : A-B

B. Then adjusting tightness by screw driver then tighten the set screw

A. Use allen wrench provided to loosen set screw first



Direct Wire Junction Box

ALWAYS TURN OFF MAIN POWER BEFORE INSTALLATION

Figure 1:

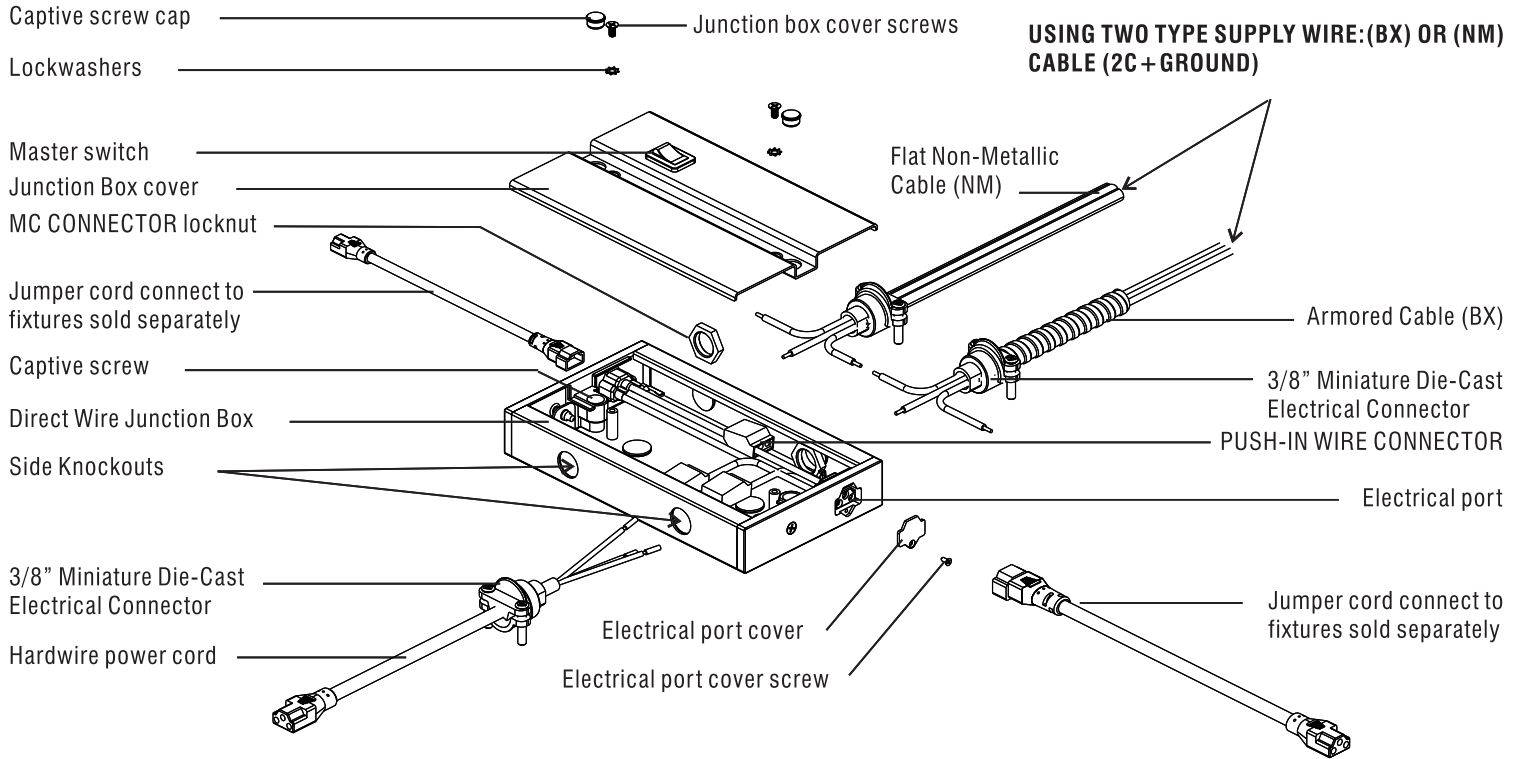


Figure 2:
WIRING DIAGRAM

