

PROJECT INFORMATION		
JOB NAME		TYPE
ORDERING CODE		

SERA 4

4" Square Up and Down IP65 Wall

35° - 50° BEAM (Note: Specifications are subject to change without notice)		
14mm COB PERFORMANCE DATA		
LED LIGHT ENGINE	NOMINAL DELIVERED LUMENS	SYSTEM WATTAGE
15LM	1560LM @30K/90CRI	18W
Notes	2x9W, 780lm up, 780lm down. Delivered lumens based on 35D optic(see page 2).	



FEATURES

- Pre finish anodizing process for corrosive-inhibiting protection
- 2 Finish options: Anthracite or Silver
- 3000K or 4000K CCT options
- 35° - 50° Optical beam control
- Louver (Slit) accessory
- IP65 Rated

DIMMING AND CONTROLS

- 0-10V dimming

CONSTRUCTION

- Extruded aluminum housing
- Anodized and powder coat finish
- Mount to 3-1/2" to 4" octagonal or 4" square recessed junction box

LED

- LED: Zigen ZG6BGE34W0S
- SDCM: 3-step MacAdam Ellipse
- Lumen Maintenance: $L_{70} > 50,000$ hrs

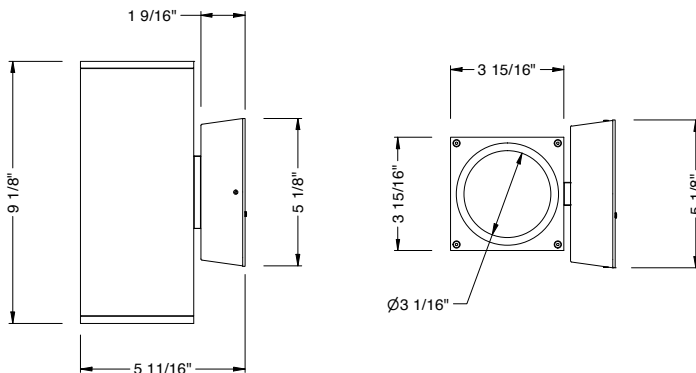
LISTING

- ETLus Listed to UL1598 (suitable for wet locations)
- cETL Listed to CSA C22.2 #250.0
- Warranty: 5 year limited warranty

ELECTRICAL

- 120V-277V
- Ambient operating temperature -20°C/-4°F to +40°C/+104°F

WALL



PROJECT INFORMATION		
JOB NAME		TYPE
ORDERING CODE		

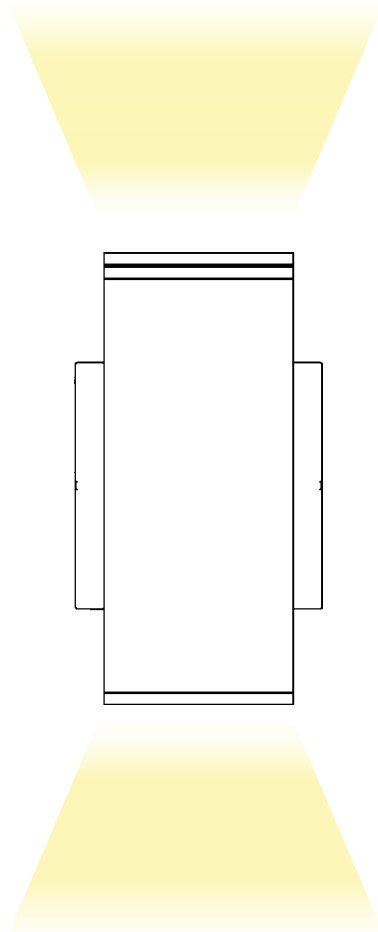
BEAM ORDERING CODE											
SERIES	EXT	exterior									
TYPE	4QUD	4" square wall up and down, 2x9W									
LED	SW	standard white									
DELIVERED LUMENS	15LM	1560 lm , 780 lm Up / 780 lm Down									
		Standard Configuration: 3000K Calculated Delivered Lumens = [Delivered Lumen Value] x [CCT Multiplier] x [Optic Multiplier]									
CCT	30K	3000K									
	40K	4000K									
		<table border="1"> <thead> <tr> <th>CCT</th> <th>3000K</th> <th>4000K</th> </tr> </thead> <tbody> <tr> <td>CRI</td> <td>90</td> <td>90</td> </tr> <tr> <td>CCT MULTIPLIER FOR LUMEN OUTPUT</td> <td>1</td> <td>1.1</td> </tr> </tbody> </table>	CCT	3000K	4000K	CRI	90	90	CCT MULTIPLIER FOR LUMEN OUTPUT	1	1.1
CCT	3000K	4000K									
CRI	90	90									
CCT MULTIPLIER FOR LUMEN OUTPUT	1	1.1									
CRI	90	90 CRI									
UP LIGHT & LM MULTIPLIER SEE PAGE 3	35D	35° reflector (1.00)									
	50D	50° reflector (1.00)									
	SLT¹	84° x 14° louver (0.12)									
DOWN LIGHT & LM MULTIPLIER SEE PAGE 3	35D	35° reflector (1.00)									
	50D	50° reflector (1.00)									
	SLT¹	84° x 14° louver (0.12)									
FINISH	BK	anthracite									
	SV	silver									

BEAM ORDERING CODE		
MOUNTING OPTIONS	W	wall mount
VOLTAGE	UNV-10V	120V-277V integrated driver, flicker free 0-10V dimming to 10%

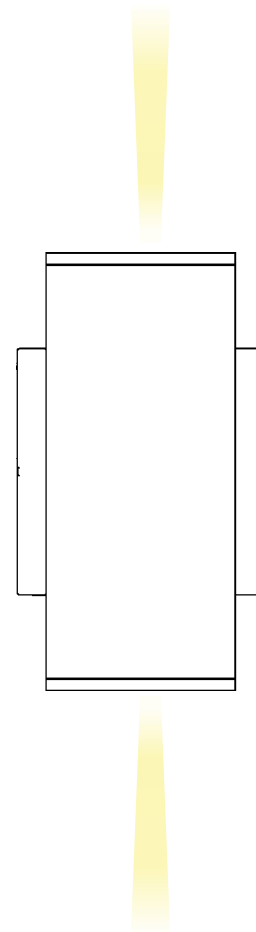
YOUR COMPLETED ORDERING CODE	
Follow the steps to specify your fixture, example:	
EXT - 4QUD - SW - 15LM - 30K - 90 - SLT - 50D - BK - W - UNV - 10V	

NOTES

1. Slit louver for light affect, not available with 35D/50D.



35D / 50D



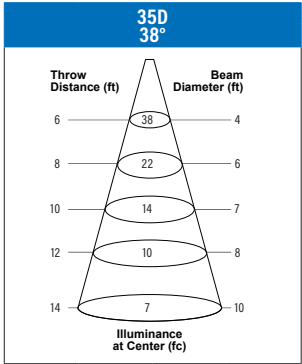
SLT

PROJECT INFORMATION

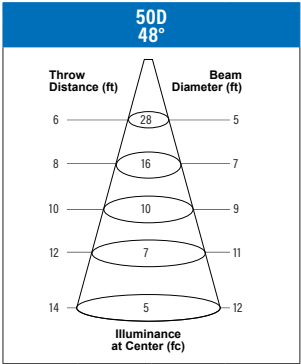
JOB NAME		TYPE	
ORDERING CODE			

PHOTOMETRIC DATA

15LM CCT MULTIPLIERS	
	90CRI
3000K	1
4000K	1.1
FC Formula = CBCP / Distance ²	



WATTS:: 8.5	LPW:: 92.1
LUMENS: 783	CCT:: 3000K
INTENSITY	
DEGREE	CANDELA
0	1383
5	1324
15	886
25	468
35	252
45	23



WATTS:: 8.5	LPW:: 92.4
LUMENS: 786	CCT:: 3000K
INTENSITY	
DEGREE	CANDELA
0	1018
5	995
15	739
25	477
35	336
45	38