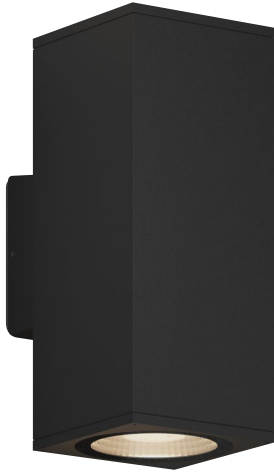


PROJECT INFORMATION		
JOB NAME		TYPE
ORDERING CODE		

SERA 6

6" Square Up and Down IP65 Wall

25° - 55° BEAM		
(Note: Specifications are subject to change without notice)		
14mm COB PERFORMANCE DATA		
LED LIGHT ENGINE	NOMINAL DELIVERED LUMENS	SYSTEM WATTAGE
35LM	3400LM @30K/90CRI	32W
Notes	2 x 16W, 1700lm up, 1700lm down. Delivered lumens based on 25D optic(see page 2)	



FEATURES

- Pre finish anodizing process for corrosive-inhibiting protection
- 2 Finish options: Anthracite or Silver
- 3000K or 4000K CCT options
- 25° - 55° Optical beam control
- Louver (Slit) accessory
- IP65 Rated

DIMMING AND CONTROLS

- 0-10V dimming

CONSTRUCTION

- Extruded aluminum housing
- Anodized and powder coat finish
- Mount to 3-1/2" to 4" octagonal or 4" square recessed junction box

LED

- LED: Zigen ZG6CGD34Z0S
- SDCM: 3-step MacAdam Ellipse
- Lumen Maintenance: $L_{70} > 50,000$ hrs

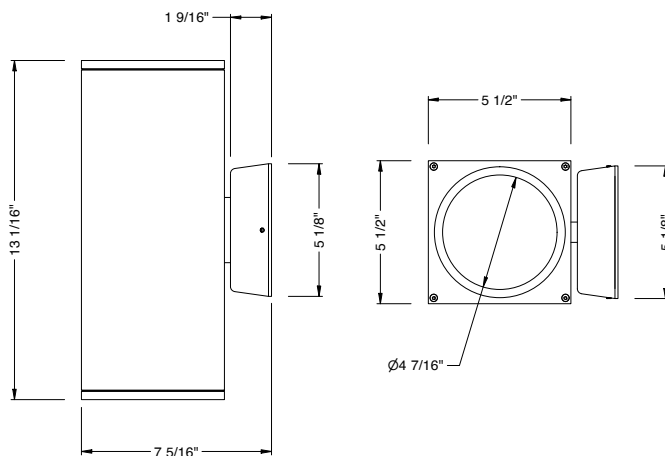
LISTING

- ETLus Listed to UL1598 (suitable for wet locations)
- cETL Listed to CSA C22.2 #250.0
- Warranty: 5 year limited warranty

ELECTRICAL

- 120V-277V
- Ambient operating temperature -20°C/-4°F to +40°C/+104°F

WALL



bruck

PROJECT INFORMATION		
JOB NAME		TYPE
ORDERING CODE		

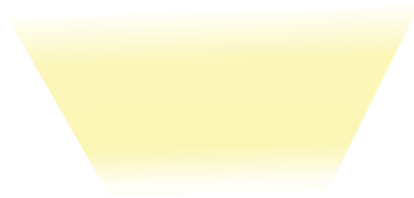
ORDERING CODE											
SERIES	EXT	exterior									
TYPE	6QUD	6" square wall up and down, 2x16W									
LED	SW	standard white									
DELIVERED LUMENS	35LM	3400 lm , 1700 lm Up / 1700 lm Down									
		Standard Configuration: 3000K Calculated Delivered Lumens = [Delivered Lumen Value] x [CCT Multiplier] x [Optic Multiplier]									
CCT	30K	3000K									
	40K	4000K									
		<table border="1"> <thead> <tr> <th>CCT</th> <th>3000K</th> <th>4000K</th> </tr> </thead> <tbody> <tr> <td>CRI</td> <td>90</td> <td>90</td> </tr> <tr> <td>CCT MULTIPLIER FOR LUMEN OUTPUT</td> <td>1</td> <td>1.1</td> </tr> </tbody> </table>	CCT	3000K	4000K	CRI	90	90	CCT MULTIPLIER FOR LUMEN OUTPUT	1	1.1
CCT	3000K	4000K									
CRI	90	90									
CCT MULTIPLIER FOR LUMEN OUTPUT	1	1.1									
CRI	90	90 CRI									
UP LIGHT & LM MULTIPLIER SEE PAGE 3	25D	25° reflector (1.00)									
	35D	35° reflector (0.94)									
	55D	55° reflector (0.98)									
	SLT¹	70° X 10° louver (0.05)									
DOWN LIGHT & LM MULTIPLIER SEE PAGE 3	25D	25° reflector (1.00)									
	35D	35° reflector (0.94)									
	55D	55° reflector (0.98)									
	SLT¹	70° X 10° louver (0.05)									
FINISH	BK	anthracite									
	SV	silver									

ORDERING CODE		
MOUNTING OPTIONS	W	wall mount
VOLTAGE	UNV-10V	120V-277V integrated driver, flicker free 0-10V dimming to 10%

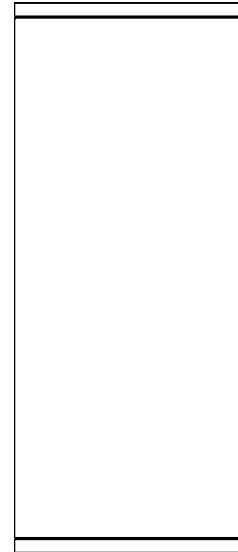
YOUR COMPLETED ORDERING CODE
Follow the steps to specify your fixture, example:
EXT - 6QUD - SW - 35LM - 30K - 90 - SLT - 35D - BK - W - UNV - 10V

NOTES

1. Slit louver for light affect, not available with 25D/35D/50D.



25D / 35D / 55D



SLT

JOB NAME		TYPE	
ORDERING CODE			

PHOTOMETRIC DATA

35LM CCT MULTIPLIERS

	90CRI
3000K	1
4000K	1.1
FC Formula = CBCP / Distance ²	

**25D
25°**

Throw Distance (ft)	Beam Diameter (ft)
6	3
8	4
10	4
12	5
14	6

Illuminance at Center (fc)

WATTS: 15.9	LPW: 108.3
LUMENS: 1716	CCT: 3000K
INTENSITY	
DEGREE	CANDELA
0	5491
5	4731
15	2258
25	874
35	440
45	18

**35D
37°**

Throw Distance (ft)	Beam Diameter (ft)
6	4
8	5
10	7
12	8
14	9

Illuminance at Center (fc)

WATTS: 15.9	LPW: 102
LUMENS: 1617	CCT: 3000K
INTENSITY	
DEGREE	CANDELA
0	3352
5	3273
15	2252
25	868
35	447
45	20

**55D
57°**

Throw Distance (ft)	Beam Diameter (ft)
6	6
8	9
10	11
12	13
14	15

Illuminance at Center (fc)

WATTS: 15.9	LPW: 106
LUMENS: 1680	CCT: 3000K
INTENSITY	
DEGREE	CANDELA
0	2089
5	2061
15	1829
25	1217
35	629
45	35