

Z48

SMARTTrack Spot



FEATURES

- LED Spot with multiple technologies and control protocols
- (SW) Standard White, (XTM) Xicato
- Compatible with Smart Track
- Sleek form with 3 inch height and 3 inch width

HOUSING

- Extruded aluminum housing with black or white finish.

MOUNTING

- 48Vdc SMARTTrack systems

ELECTRICAL/CONTROLS

- 48Vdc input (+/- 5%)
- Flicker-free dimming using Bluetooth Low Energy (BLE) control (Casambi), or hardwired control (0-10V)

LISTING

- ETLus Listed to UL1574 (track suitable for dry locations only)
- cETL Listed to CSA C22.2 #9.0

LED INFO

- Standard COB:
- 90 CRI: SDCM = 2-step MacAdam Ellipse, Lumen Maintenance: $L_{70} > 49,500$ hrs
- 80 CRI: SDCM = 3-step MacAdam Ellipse, Lumen Maintenance: $L_{70} > 49,500$ hrs
- XICATO XIM: SDCM = 1x2 MacAdam Ellipse, Duv +/- 0.001, Lumen Maintenance: $L_{90} > 55,000$ hrs

PROJECT INFORMATION

JOB NAME		TYPE	
ORDERING CODE			

STANDARD COB - ORDERING CODE

PART NUMBER	350450										
LED	SW	standard white									
DELIVERED LUMENS	10LM	760 lm									
	13LM	970 lm									
	20LM	1520 lm									
	25LM	1880 lm									
	30LM	2270 lm									
CCT	27K	2700K				3000K		3500K		4000K	
	30K	3000K				3500K		4000K			
	35K	3500K				4000K					
	40K	4000K									
CRI	80	80 CRI									
	90	90 CRI									
		CCT MULTIPLIER FOR LUMEN OUTPUT									
REFLECTOR	SSA30	30° semi-specular									
	SSA40	40° semi-specular									
DIMMING	SSA60	60° semi-specular									
	DA40	40° diffused									
	DA50	50° diffused									
	DA60	60° diffused									
	WH70	70° brilliant white									
	DIM10Z	0-10V dim to zero									
	CASZ	Casambi Bluetooth dim to zero									
MOUNTING OPTIONS	SMT	48V SMARTTrack									
FINISH	BK	black									
	WH	white									

ORDERING CODE

Follow the steps to specify your fixture, example:

350450 - SW - 10LM - 30K - 80 - SSA30 - WH - SMT - CAS

SW (LED)	POWER
DELIVERED LM	W (80/90 CRI)
760	7
970	9
1520	15
1880	19
2270	20

Standby power draw¹ < 0.5W

0-10V current draw < 0.5mA

NOTES

1. Standby power draw is when luminaire is dimmed to off.



PROJECT INFORMATION			
JOB NAME		TYPE	
ORDERING CODE			

XICATO INTELLIGENT MODULE - ORDERING CODES

PART NUMBER	350450	
LED	XIM	XICATO XIM
DELIVERED LUMENS	07LM 10LM 13LM 16LM	530 lm 730 lm 930 lm 1150 lm
CCT	27K 35K 40K 30K	2700K 3500K 4000K 3000K
CRI	83 98 ¹	83 CRI 98 CRI
REFLECTOR	SSA40 SSA60 SSA20 SA20 SA40 SA60 DA40 DA60	40° semi-specular (1.00) 60° semi-specular (1.00) 20° semi-specular (1.00) 20° specular (1.00) 40° specular (1.00) 60° specular (1.00) 40° diffused (1.00) 60° diffused (1.00)
DIMMING	DIM10Z CASZ	0-10V dim to zero Casambi Bluetooth dim to zero
MOUNTING OPTIONS	SMT	48V SMARTrack
FINISH	BK WH	black white

ORDERING CODE

Follow the steps to specify your fixture, example:
350450 - XIM - 10LM - 30K - 83 - SA20 - WH - SMT - CAS

REFLECTOR TYPES SA, SSA, DA

XIM (LED)	POWER	
	W (83 CRI)	W (98 CRI)
530	8	9
730	11	12
930	14	16
1150	18	N/A

Standby power draw² < 0.5W

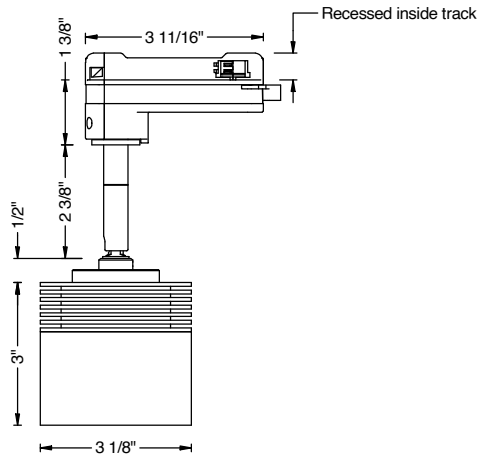
0-10V current draw < 0.5mA

NOTES

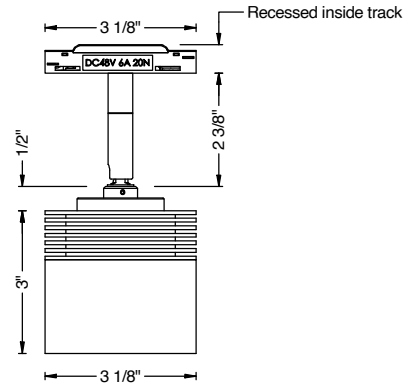
- 98 CRI not available in every lumen option. Refer to power table.
- Standby power draw is when luminaire is dimmed to off.

PROJECT INFORMATION			
JOB NAME		TYPE	
ORDERING CODE			

MOUNTING OPTIONS



SMART ADAPTER
Z48 Spot



FLUSH ADAPTER
Z48 Spot
(available for Xicato XIM only)