

JOB NAME _____

CONTACT _____

ORDERING CODE _____

ORDERING CODE		
SERIES	EXT	exterior
TYPE	4D	4" wall down, 10W, 710 lm
CCT	30K	3000K
CRI	90	90 CRI
VOLTAGE	UNV	120V-277V
FINISH	BK SV	anthracite silver

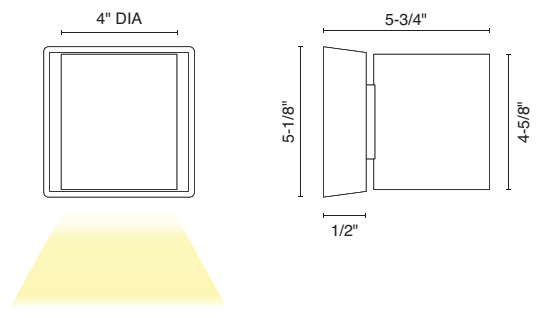
LM-79

OUTDOOR CYLINDER 4" **Round Cylinder Down IP65 Wall**



ORDERING CODE _____

Follow the steps to specify your fixture, example:
EXT - 4D - 30K - 90 - UNV - BK



DESCRIPTION

The Outdoor Cylinder is a 4" exterior sconce made of extruded aluminum. Its classic cylindrical design allows for a modern look with a warm glow illuminating the wall with either up or down installation. Outdoor Cylinder includes an onboard driver. 5" canopy is easily surface mounted to cover a standard junction box. It is offered in anthracite or silver finish.

HOUSING

- Extruded aluminum housing in anthracite or silver.

MOUNTING

- Mount to 3-1/2" to 4" octagonal or 4" square recessed junction box.

ELECTRICAL/CONTROLS

- Integrated LED Module
- 60° distribution
- Non-dimmable

LISTING

- ETLus Listed to UL1598 (suitable for wet locations)
- cETL Listed to CSA C22.2 #250.0
- BUG Rating: B1 - U1 - G0
- 3000k or warmer must be selected for International Dark-Sky Association approval

LED INFO

- LED: Zigen ZG1BME30KHO
- SDCM: 3-step MacAdam Ellipse
- Lumen Maintenance: L₇₀ > 50,000 hrs
- Warranty: 5 year limited warranty