

SKYLINE SYSTEM

Skylines Outdoor/Indoor Catenary Cable IP67 System Hardware



DESCRIPTION

SKYLINE is a lightweight, highly versatile, and exceptionally elegant catenary system for indoor and outdoor applications. Up to 780 lumens from a 1" aperture cylinder. SKYLINE enables safe, reliable, clutter-free catenary on strong woven Kevlar, self-healing cable with marine grade, hard anodized aluminum fixture housings. Applications are endless, from outdoor gathering spaces to indoor accent lighting for retail and hospitality.

MOUNTING

- Twin cable powered suspended catenary system.
- Kevlar / Copper cable braid, breaking strength of 100Kg / 220lbs.
- Hydrolysis UV resistant TPE outer jacket, Black.
- Dim over power. 0-10V
- Ambient operating temperatures Min. -40°F / Max 131°F.
- Kevlar Cable (set of 2): 0.022 lbs. / 0.35 oz. per foot.
- Turnbuckles (set of 2): 0.175 lbs. / 2.80 oz.
- Strain Reliefs (set of 4): 0.058 lbs. / 0.93 oz.
- Wall mounting plate: 0.087 lbs. / 1.39 oz.
- Eyebolt: 0.055 lbs. / 0.88 oz.
- Pole/Tree strap: 0.25 lbs. - 0.5 lbs. / 4 oz. - 8 oz.

LISTING

- ETLus listed to UL2108 (suitable for dry, damp and wet locations)
- cETL listed to CSA C22.2 #250.0

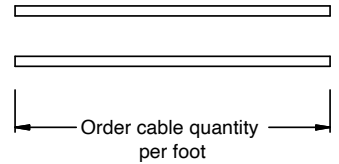
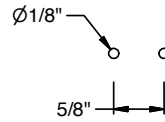
PROJECT INFORMATION			
JOB NAME		TYPE	
ORDERING CODE			

CABLE ORDERING CODE

SERIES	EXT	exterior
TYPE	SKY-CABLE	skyline, suspension power cord

ORDERING CODE _____

Follow the steps to specify your fixture, example:
EXT / SKY - CABLE



PROJECT INFORMATION

JOB NAME		TYPE	
ORDERING CODE			

TURNBUCKLE ORDERING CODE

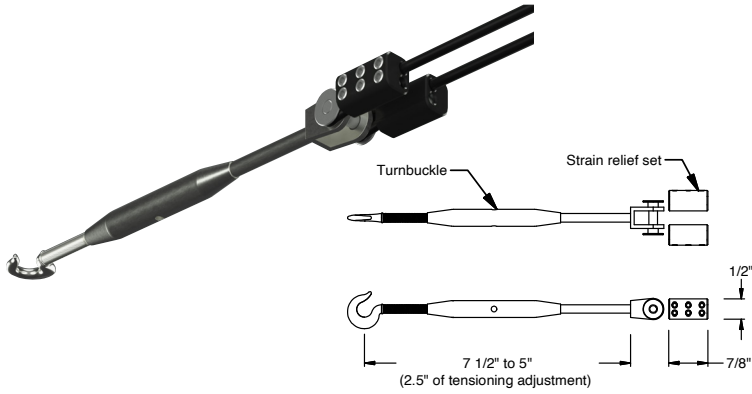
SERIES	EXT	exterior
TYPE	SKY-TB	skyline, single turnbuckle and strain reliefs set

ORDERING CODE _____

Follow the steps to specify your fixture, example:
EXT / SKY - TB

DESCRIPTION

- Turnbuckle: 0.0875 lbs. / 1.40 oz.
- Strain Reliefs (set of 2): 0.024 lbs. / 0.47 oz.



WALL MOUNT ORDERING CODE

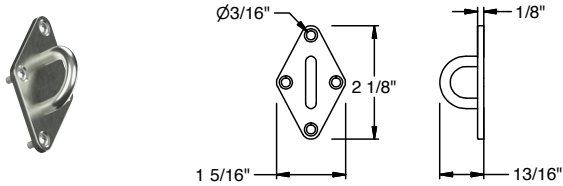
SERIES	EXT	exterior
TYPE	SKY-WALL	skyline, universal wall mount

ORDERING CODE _____

Follow the steps to specify your fixture, example:
EXT / SKY - WALL

DESCRIPTION

- Wall plate: 0.087 lbs. / 1.39 oz.



POLE/TREE MOUNT ORDERING CODE

SERIES	EXT	exterior
TYPE	SKY-POLE	skyline, pole/tree mount
SIZE	1	2.50" to 3.50", diameter
	2	5.75" to 7.75", diameter
	3	8.75" to 10.75", diameter
	4	10.50" to 12.50", diameter
	5	15.50" to 17.25", diameter
	6	8.125" to 9.875", diameter
	7	3.50" to 4.50", diameter

ORDERING CODE _____

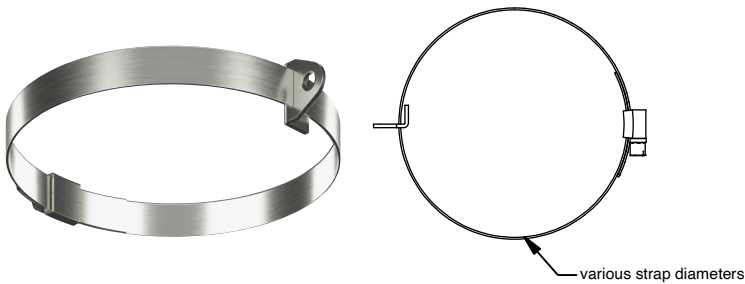
Follow the steps to specify your fixture, example:
EXT / SKY - POLE / 2

NOTE

- for additional strap diameters consult factory.

DESCRIPTION

- Tree/Pole clamp: 0.25 lbs. - 0.5 lbs. / 4 oz. - 8 oz.



Consult factory for specific strap diameter

EYEBOLT MOUNT ORDERING CODE

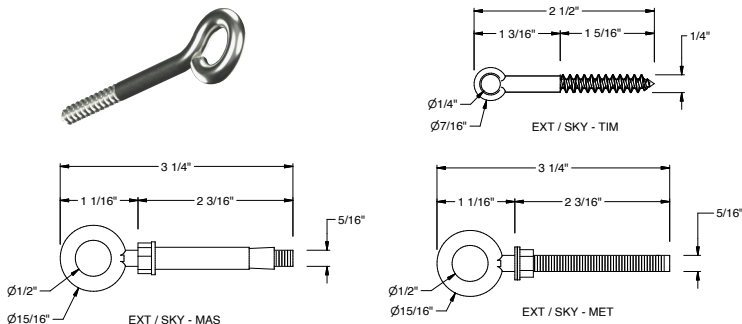
SERIES	EXT	exterior
TYPE	SKY-MAS SKY-TIM SKY-MET	skyline, eyebolt mount for masonry skyline, eyebolt mount for timber skyline, eyebolt mount for sheet metal

ORDERING CODE _____

Follow the steps to specify your fixture, example:
EXT / SKY - MAS

DESCRIPTION

- Eyebolt: 0.055 lbs. / 0.88 oz.



PROJECT INFORMATION			
JOB NAME		TYPE	
ORDERING CODE			

DESCRIPTION

- Meanwell ELG-100 Class 2 Power Supply
- Meanwell ELG-150 / 240 or HLG-320H Class 1 Power Supply
- 0-10V Dimmable to 10% with 100W / 150W and 240W drivers
- 0-10V Dimmable to 15% with 320W at 25 skylines and 20% at 20 Skylines
- 12"x12"x4" Indoor or Outdoor metal housing
- 1/2 KOs, 3/4 KOs, 1 KOs, 1-1/4 KOs and (4x) mounting holes

ELECTRICAL/CONTROLS

- 90-305 VAC, 47-63Hz input
- 100W / 150W / 240W / 320W max output
- Ambient temperature @ full load: -40°C / -40°F to +60°C / 140°F
- NEMA 3R enclosure
- Outdoor rated: Rainproof
- Short circuit protection
- Overload protection
- Over-voltage protection
- Thermal protection
- Built in PFC function
- Box: Length = 12", Height = 12", Width = 4"

REMOTE DRIVER 10V - ORDERING CODE

PART NUMBER	P70571	LED driver with box
VOLTAGE	24	24V
DIMMING	10V	0-10V dimming to 10%
ELECTRICAL OPTIONS	100 100-2 150 150-2 240 320 ¹	100W 2X 100W 150W 2X 150W 240W 320W

ORDERING CODE

Follow the steps to specify your fixture, example:
P70571 - 150 - 24 - 10V - 150

NOTES

- 320W Driver dimming performance of 15% at 25 skylines and 20% at 20 Skylines.

A: MAXIMUM WIRING DISTANCE FROM DRIVER TO START OF RUN LENGTH AT VARIOUS LOADS

NO. OF SKYLINES	5	10	15	20	25
AWG VALUE	DISTANCE (FT)				
10	100	100	75	60	40
12	100	75	50	40	30
14	75	50	35	25	20
CATENARY CABLE (18AWG)	"AS NEEDED" MUST SUBTRACT FROM - "CATENARY RUN LENGTH", SEE WIRING DESIGN GUIDE 1				

B: MAXIMUM SKYLINES PER DRIVER

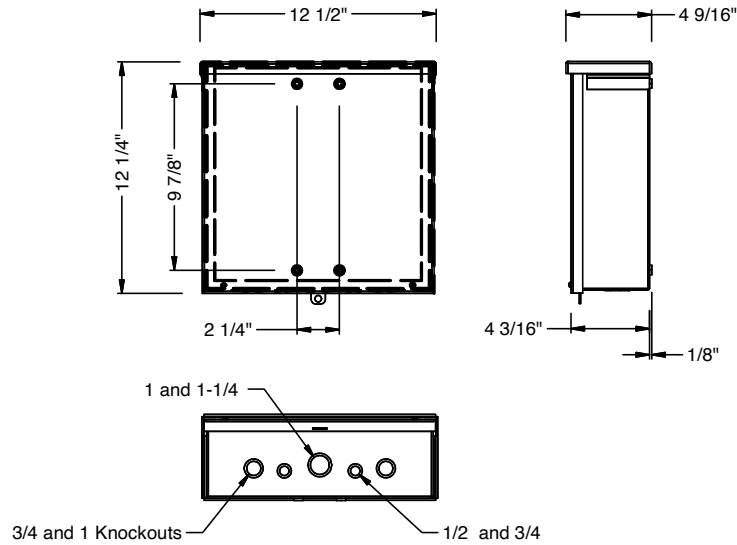
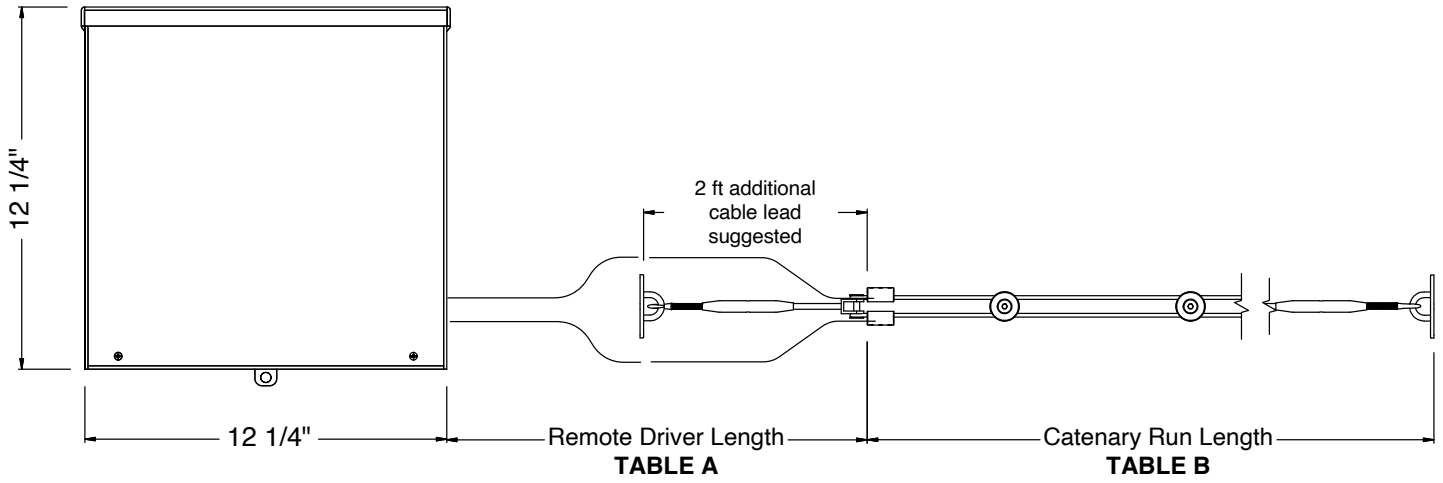
DISTANCE	200 FT OR LESS FOR ALL OPTIONS BELOW
DRIVER OUTPUT	NO. OF SKYLINES
100W	1 TO 7
150W	8 TO 11
240W*	12 TO 17
320W*	21 TO 25 AT 15% DIM 18 TO 20 AT 20% DIM

NOTE

*Must use driver with allowable range of skylines to achieve specified dimming performance.
Example: 320W driver with 10 skylines will not dim to the specified percentage.

JOB NAME		TYPE	
ORDERING CODE			

REMOTE DRIVER

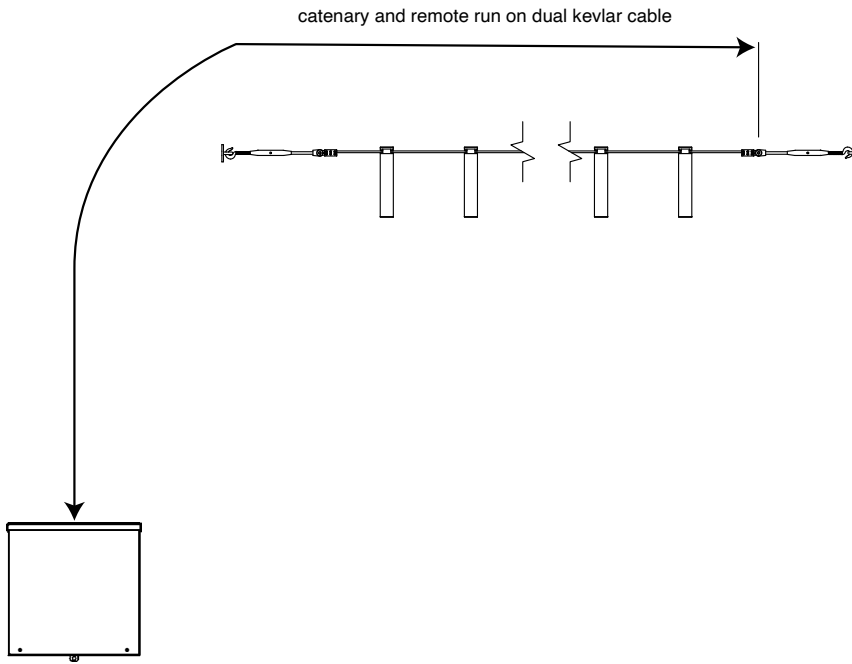


NOTE: Mounting locations and knockout patterns are subject to change.

PROJECT INFORMATION			
JOB NAME		TYPE	
ORDERING CODE			

WIRING DESIGN 1

Example: 15 Skylines at a maximum of 200 ft of Kevlar cable, but only need 50ft of catenary run.
The remaining 150 ft can be designated for remoting to the driver.



WIRING DESIGN 2

